

SHEET TOTAL

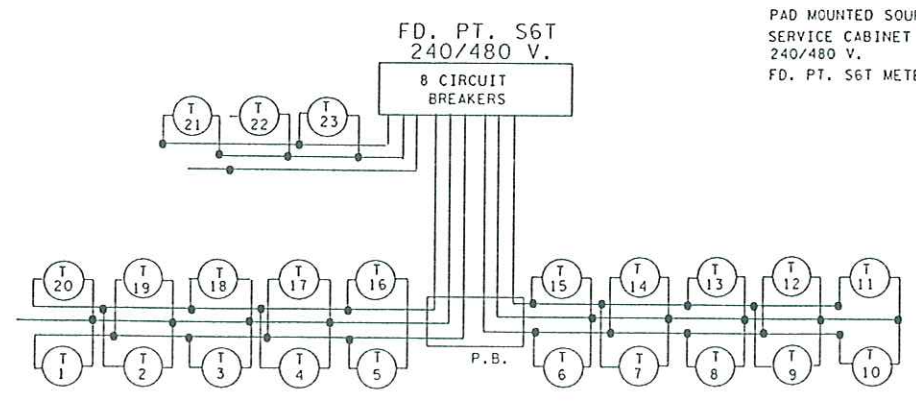
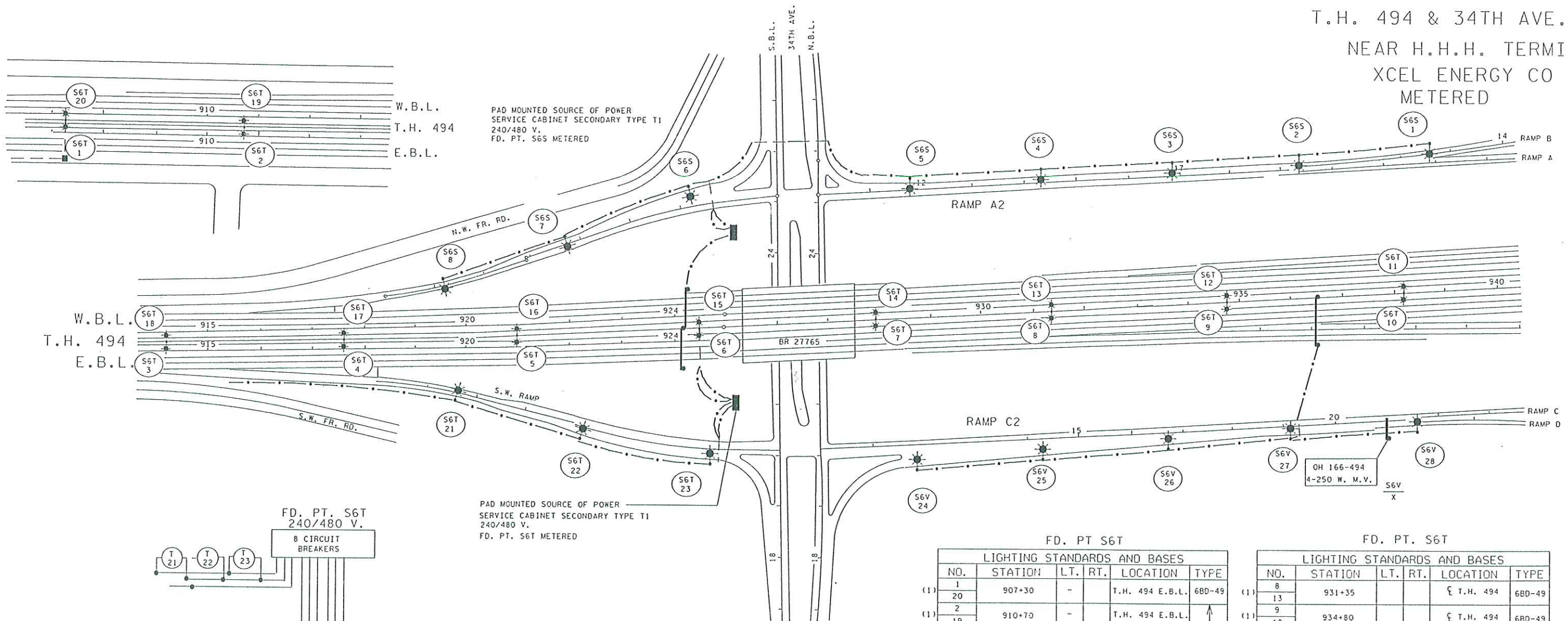
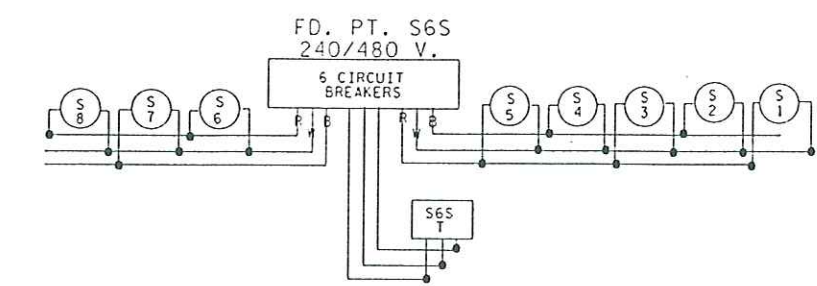
20-250 WATT HIGH PRESSURE SODIUM LIGHTING UNITS  
 16-200 WATT HIGH PRESSURE SODIUM LIGHTING UNITS  
 4-250 WATT MERCURY VAPOR SIGN LIGHTING UNITS

FD. PT S6S

LIGHTING STANDARDS AND BASES					
NO.	STATION	LT.	RT.	LOCATION	TYPE
(2)	1	12+55		RAMP B	6-40
(2)	2	10+05		RAMP B	6-40
(2)	3	16+85		RAMP A2	6-40
(2)	4	14+35		RAMP A2	6-40
(2)	5	11+85		RAMP A2	6-40
(2)	6	16+25		N.W. RAMP	6-40
(2)	7	13+75		N.W. RAMP	6-40
(2)	8	11+25		N.W. RAMP	6-40

(2) 200 WATT HIGH PRESSURE SODIUM

EXHIBIT 332  
 T.H. 494 & 34TH AVE. S.  
 NEAR H.H.H. TERMINAL  
 XCEL ENERGY CO  
 METERED



FD. PT S6T

LIGHTING STANDARDS AND BASES					
NO.	STATION	LT.	RT.	LOCATION	TYPE
(1)	1	907+30	-	T.H. 494 E.B.L.	68D-49
(1)	2	910+70	-	T.H. 494 E.B.L.	↑
(1)	19	914+15	-	T.H. 494 E.B.L.	↑
(1)	4	917+60	-	T.H. 494 E.B.L.	↑
(1)	5	921+05	-	T.H. 494 E.B.L.	↑
(1)	16	924+50	-	T.H. 494 E.B.L.	↓
(1)	15	927+90	-	∩ T.H. 494	68D-49
(1)	14				

FD. PT. S6T

LIGHTING STANDARDS AND BASES					
NO.	STATION	LT.	RT.	LOCATION	TYPE
(1)	8	931+35		∩ T.H. 494	68D-49
(1)	9	934+80		∩ T.H. 494	68D-49
(1)	12	938+20		∩ T.H. 494	68D-49
(1)	11				
(2)	21	11+60	-	S.W. RAMP	6-40
(2)	22	14+10	-	S.W. RAMP	6-40
(2)	23	16+60	-	S.W. RAMP	6-40
(2)	24	11+80	-	RAMP C2	6-40
(2)	25	14+25	-	RAMP C2	6-40
(2)	26	16+70	-	RAMP C2	6-40
(2)	27	19+10	-	RAMP C2	6-40
(2)	28	21+55	-	RAMP C2	6-40

(1) 250 WATT HIGH PRESSURE SODIUM  
 (2) 200 WATT HIGH PRESSURE SODIUM

CERTIFIED COPY  
 FEB 10 2001

FD. PTS. S6S, S6T, S6V