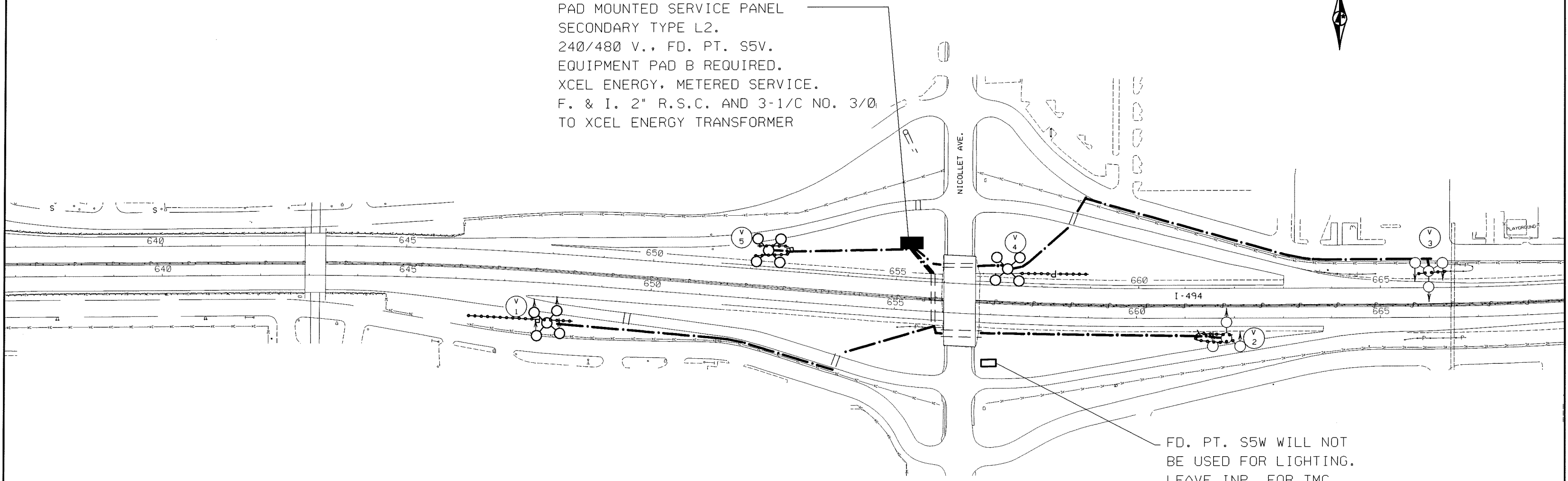
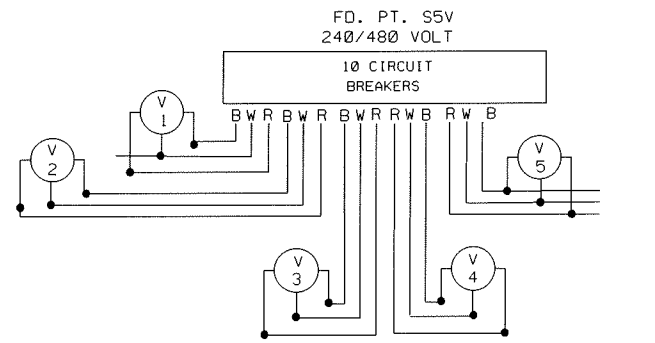




PAD MOUNTED SERVICE PANEL
 SECONDARY TYPE L2.
 240/480 V., FD. PT. S5V.
 EQUIPMENT PAD B REQUIRED.
 XCEL ENERGY, METERED SERVICE.
 F. & I. 2" R.S.C. AND 3-1/C NO. 3/0
 TO XCEL ENERGY TRANSFORMER



FD. PT. S5V WILL NOT
 BE USED FOR LIGHTING.
 LEAVE INP. FOR TMC
 SERVICE EQUIPMENT.



B AND R DENOTE CURRENT CARRYING CONDUCTORS
 W DENOTES NEUTRAL CONDUCTOR

FD. PT. S5V

LIGHTING STANDARDS AND BASES					
	NO.	STATION	LT. RT.	LOCATION	TYPE
(2)	S5V/1	647+90	82	T.H. 494 E.B.	4-120
(2)	S5V/2	661+83	40	T.H. 494 E.B.	3-100
(2)	S5V/3	665+99	35	T.H. 494 W.B.	3-100
(1)	S5V/4	657+31	34	T.H. 494 W.B.	4-120
(1)	S5V/5	652+34	37	T.H. 494 W.B.	4-120

(1) SYMMETRICAL LUMINAIRES
 (2) ASYMMETRICAL LUMINAIRES

AS BUILT

FD. PT. S5V
 T.H. 494 AT NICOLLET AVE.

METER ADDRESS: 7820 NICOLLET AVE S. BLOOMINGTON 55420

CERTIFIED BY *Susan J. Lodal*
 PROFESSIONAL ENGINEER

REG. NO. 21180

STATE PROJ. NO2785-318 (494) SHEET NO. 23 OF 29 SHEETS