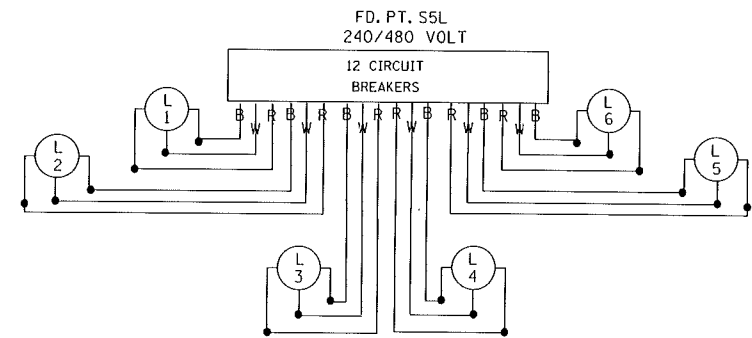
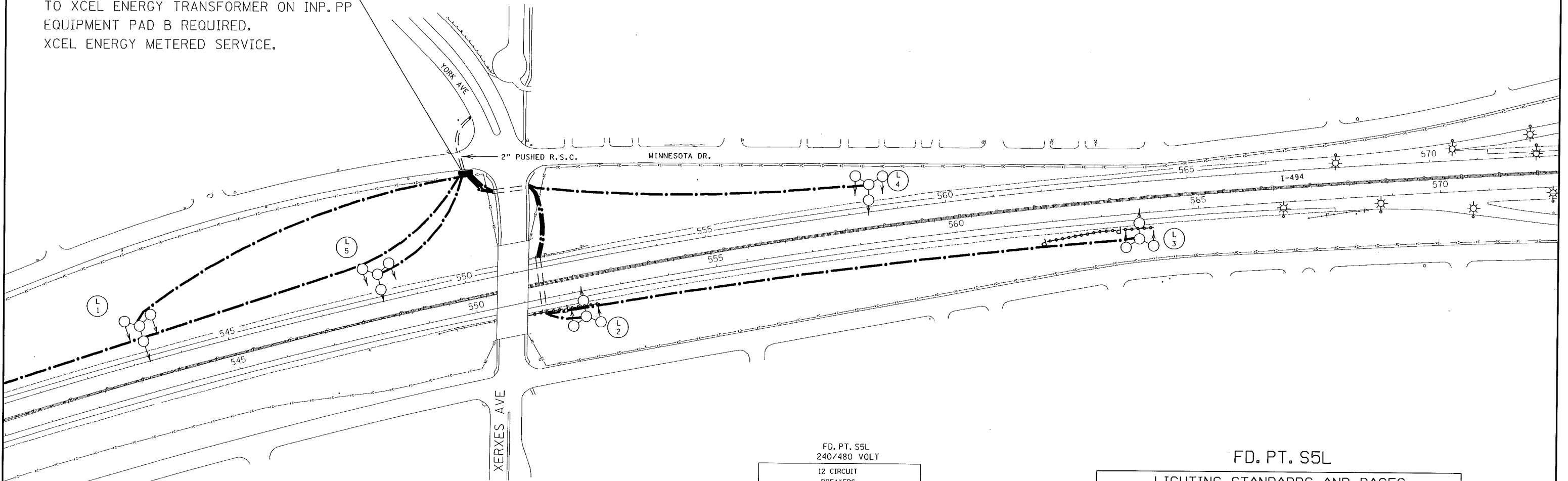


PAD MOUNTED SERVICE PANEL
 SECONDARY TYPE L2.
 240/480 V., FD. PT. S5L.
 F & I 2" R.S.C. AND 3-1/C NO. 3/0
 TO XCEL ENERGY TRANSFORMER ON INP. PP
 EQUIPMENT PAD B REQUIRED.
 XCEL ENERGY METERED SERVICE.



B AND R DENOTE CURRENT CARRYING CONDUCTORS
 W DENOTES NEUTRAL CONDUCTOR

FD. PT. S5L

LIGHTING STANDARDS AND BASES					
NO.	STATION	LT.	RT.	LOCATION	TYPE
(2)	S5L/1	543+23	72	T.H. 494	3-100
(2)	S5L/2	552+18	53	T.H. 494	3-100
(2)	S5L/3	563+73	50	T.H. 494	3-100
(2)	S5L/4	558+48	56	T.H. 494	3-100
(2)	S5L/5	548+27	58	T.H. 494	3-100
(2)	S5L/6	537+84	67	T.H. 494	3-100

(1) SYMMETRICAL LUMINAIRES
 (2) ASYMMETRICAL LUMINAIRES

FD. PT. S5L
 LIGHTING PLAN

FD.PT. S5J

LIGHTING STANDARDS AND BASES

NO.	STATION	LT.	RT.	LOCATION	TYPE
(2)	SJ5/1	508+75	62	T.H. 494 E.B.	3-100
(1)	SJ5/2	517+97	311	T.H. 494 E.B.	3-100
(1)	SJ5/3	526+36	50	T.H. 494 E.B.	3-100

FD. PT. S5H

LIGHTING STANDARDS AND BASES

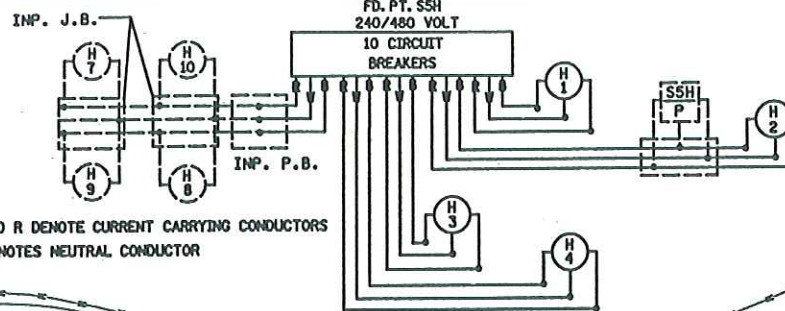
NO.	STATION	LT.	RT.	LOCATION	TYPE
(1)	S5H/1	532+10	65	T.H. 494 W.B.	3-100
(1)	S5H/2	527+75	296	T.H. 494 W.B.	3-100
(1)	S5H/3	520+94	44	T.H. 494 W.B.	3-100
(2)	S5H/4	513+57	60	T.H. 494 W.B.	3-100
	S5H/7	INPLACE		T.H. 494	L
	S5H/8	INPLACE		T.H. 494	L
	S5H/9	INPLACE		T.H. 494	L
	S5H/10	INPLACE		T.H. 494	L

- (1) SYMMETRICAL LUMINAIRES
- (2) ASYMMETRICAL LUMINAIRES

S5H
S

O.H. 221
4-175 W. M.V.

PAD MOUNTED SERVICE PANEL
SECONDARY TYPE L2.
240/480 V., FD. PT. S5H.
F & I 2" R.S.C. AND 3-1/C NO. 3/0
TO XCEL ENERGY TRANSFORMER
EQUIPMENT PAD B REQUIRED.
XCEL ENERGY METERED SERVICE.



B AND R DENOTE CURRENT CARRYING CONDUCTORS
W DENOTES NEUTRAL CONDUCTOR

FRANCE AVE

S5H
P
O.H. 218
9-175 W. M.V.

S5J
J
O.H. 217
2-175 W. M.V.

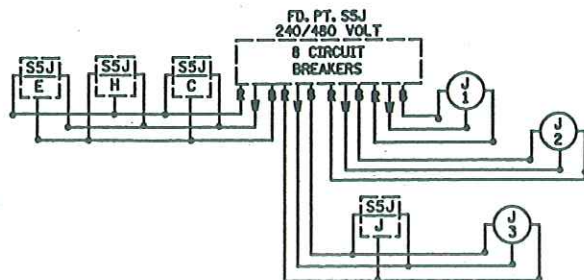
S5J
H
O.H. 216
4-175 W. M.V.

S5J
C
O.H. 215
4-175 W. M.V.

O.H. 214
7-175 W. M.V.

S5J
E

INP. FD. PT. S5J
240/480 VOLT
F & I SERVICE EQUIPMENT
XCEL ENERGY METERED SERVICE



B AND R DENOTE CURRENT CARRYING CONDUCTORS
W DENOTES NEUTRAL CONDUCTOR

LEGEND

- 1000 WATT HIGH PRESSURE SODIUM HIGH MAST LIGHTING UNIT WITH 4 LUMINAIRES
- 1000 WATT HIGH PRESSURE SODIUM HIGH MAST LIGHTING UNIT WITH 3 LUMINAIRES
- 400 WATT HIGH PRESSURE SODIUM LIGHTING UNIT
- INPLACE LIGHTING UNIT
- INPLACE UNDERPASS LIGHTING UNIT
- DIRECT BURIED POWER CABLE 3 CONDUCTOR NO. 4 AWG ARMORED CABLE SPEC. NO. 3804 & 3805
- INPLACED RIGID STEEL CONDUIT
- PUSHED 3" RIGID STEEL CONDUIT EXCEPT AS NOTED OTHERWISE
- PAD MOUNTED SOURCE OF POWER 240/480 V.
- INPLACE SOURCE OF POWER
- PERMANENT GROUND ROD (25 OHMS OR LESS)
- INPLACE PULL BOX
- PULL BOX
- F & I GUARDRAIL
- INP. GUARDRAIL

LIGHTING PLAN