

FD.PT. S5J

LIGHTING STANDARDS AND BASES

NO.	STATION	LT. RT.	LOCATION	TYPE
(1) S5J/1	517+97	311	T.H. 494 E.B.	3-100
(1) S5J/2	526+36	50	T.H. 494 E.B.	3-100

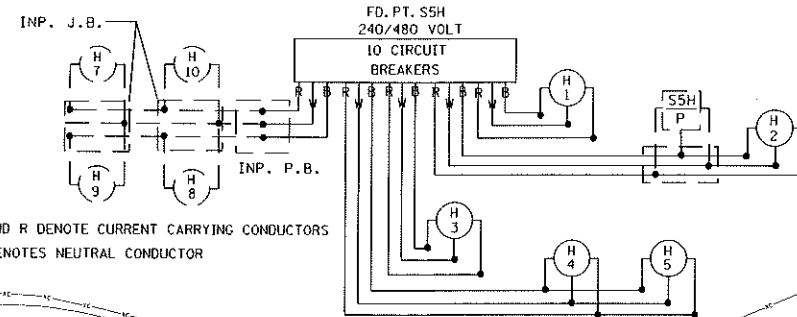
FD. PT. S5H

LIGHTING STANDARDS AND BASES

NO.	STATION	LT. RT.	LOCATION	TYPE
(1) S5H/1	532+10	65	T.H. 494 W.B.	3-100
(1) S5H/2	527+75	296	T.H. 494 W.B.	3-100
(1) S5H/3	520+94	44	T.H. 494 W.B.	3-100
(2) S5H/4	513+57	60	T.H. 494 W.B.	3-100
S5H/5	508+75		T.H. 494 W.B.	3-100
S5H/7	INPLACE		T.H. 494	L
S5H/8	INPLACE		T.H. 494	L
S5H/9	INPLACE		T.H. 494	L
S5H/10	INPLACE		T.H. 494	L

- (1) SYMMETRICAL LUMINAIRES
- (2) ASYMMETRICAL LUMINAIRES

PAD MOUNTED SERVICE PANEL  
SECONDARY TYPE L2.  
240/480 V., FD. PT. S5H.  
F & I 2" R.S.C. AND 3-1/2" NO. 3/0  
TO XCEL ENERGY TRANSFORMER  
EQUIPMENT PAD B REQUIRED.  
XCEL ENERGY METERED SERVICE.



S5H  
S  
O.H. 221  
4-175 W. M.V.

FRANCE AVE

S5H  
P  
O.H. 218  
9-175 W. M.V.

S5J  
J  
O.H. 217  
2-175 W. M.V.

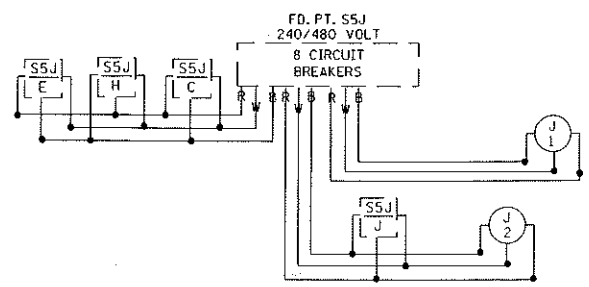
S5J  
H  
O.H. 216  
4-175 W. M.V.

S5J  
C  
O.H. 215  
4-175 W. M.V.

O.H. 214  
7-175 W. M.V.

S5J  
E

INP. FD. PT. S5J  
240/480 VOLT  
F & I SERVICE EQUIPMENT  
XCEL ENERGY METERED SERVICE



B AND R DENOTE CURRENT CARRYING CONDUCTORS  
W DENOTES NEUTRAL CONDUCTOR

**LEGEND**

- 1000 WATT HIGH PRESSURE SODIUM HIGH MAST LIGHTING UNIT WITH 4 LUMINAIRES
- 1000 WATT HIGH PRESSURE SODIUM HIGH MAST LIGHTING UNIT WITH 3 LUMINAIRES
- 400 WATT HIGH PRESSURE SODIUM LIGHTING UNIT
- INPLACE LIGHTING UNIT
- INPLACE UNDERPASS LIGHTING UNIT
- DIRECT BURIED POWER CABLE 3 CONDUCTOR NO. 4 AWG ARMORED CABLE SPEC. NO. 3804 & 3805
- INPLACED RIGID STEEL CONDUIT
- PUSHED 3" RIGID STEEL CONDUIT EXCEPT AS NOTED OTHERWISE
- PAD MOUNTED SOURCE OF POWER 240/480 V.
- INPLACE SOURCE OF POWER
- PERMANENT GROUND ROD (25 OHMS OR LESS)
- INPLACE PULL BOX
- PULL BOX
- F & I GUARDRAIL
- INP. GUARDRAIL

AS BUILT

FD. PTS. S5J, S5H, & S5L  
LIGHTING PLAN