

FD.PT. S5J

LIGHTING STANDARDS AND BASES

NO.	STATION	LT.	RT.	LOCATION	TYPE
(1) S5J/1	517+97		311	T.H. 494 E.B.	3-100
(1) S5J/2	526+36		50	T.H. 494 E.B.	3-100

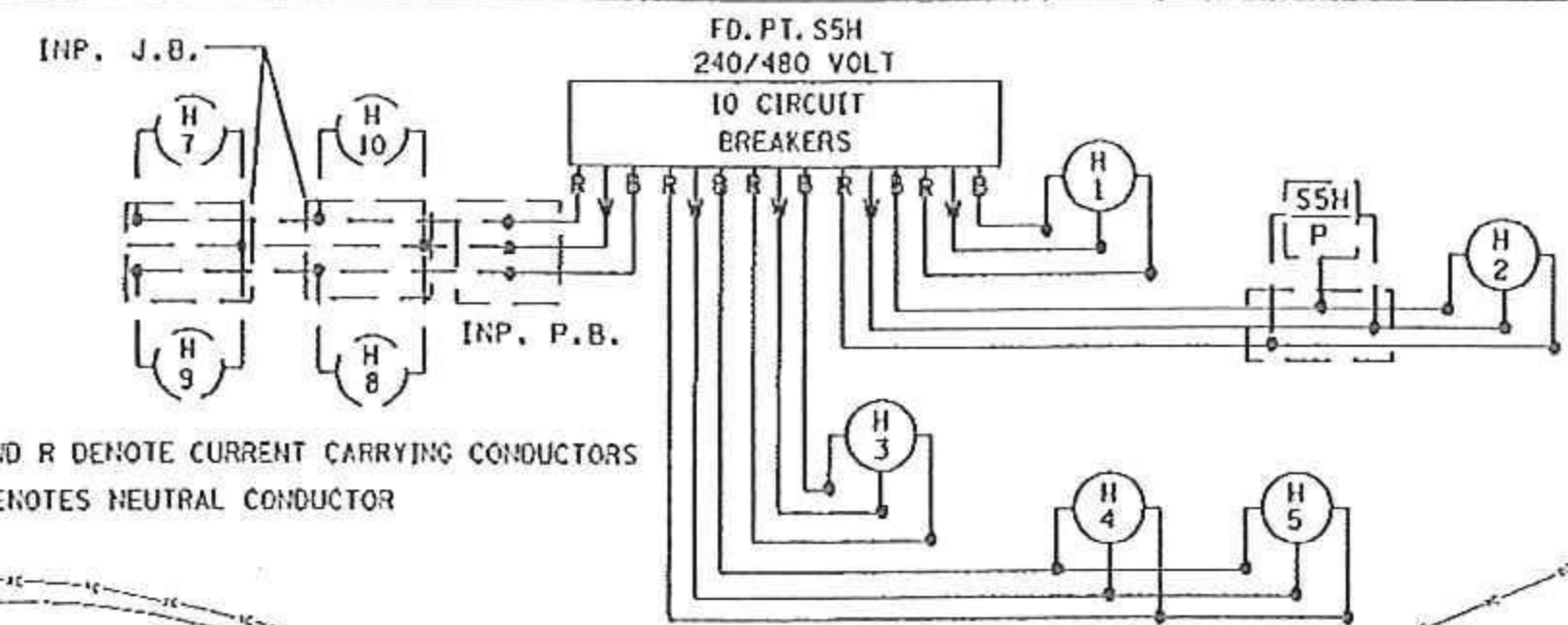
FD. PT. S5H

LIGHTING STANDARDS AND BASES

NO.	STATION	LT.	RT.	LOCATION	TYPE
(1) S5H/1	532+10	65		T.H. 494 W.B.	3-100
(1) S5H/2	527+75	296		T.H. 494 W.B.	3-100
(1) S5H/3	520+94	44		T.H. 494 W.B.	3-100
(2) S5H/4	513+57	60		T.H. 494 W.B.	3-100
S5H/5	508+75			T.H. 494 W.B.	3-100
S5H/7	INPLACE			T.H. 494	L
S5H/8	INPLACE			T.H. 494	L
S5H/9	INPLACE			T.H. 494	L
S5H/10	INPLACE			T.H. 494	L

- (1) SYMMETRICAL LUMINAIRES
- (2) ASYMMETRICAL LUMINAIRES

PAD MOUNTED SERVICE PANEL
SECONDARY TYPE L2.
240/480 V., FD. PT. S5H.
F & I 2" R.S.C. AND 3-1/2" NO. 3/0
TO XCEL ENERGY TRANSFORMER
EQUIPMENT PAD B REQUIRED.
XCEL ENERGY METERED SERVICE.



S5H
S
O.H. 221
4-175 W. M.V.

FRANCE AVE

S5H
P
O.H. 218
9-175 W. M.V.

S5J
J
O.H. 217
2-175 W. M.V.

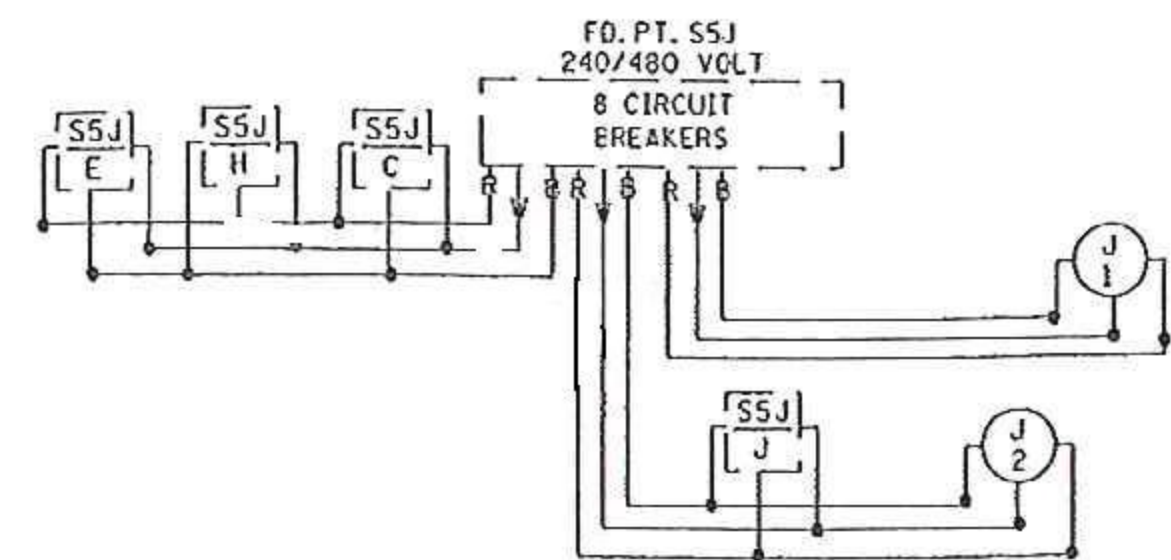
S5J
H
O.H. 216
4-175 W. M.V.

S5J
C
O.H. 215
4-175 W. M.V.

O.H. 214
7-175 W. M.V.

S5J
E

INP. FD. PT. S5J
240/480 VOLT
F & I SERVICE EQUIPMENT
XCEL ENERGY METERED SERVICE



B AND R DENOTE CURRENT CARRYING CONDUCTORS
W DENOTES NEUTRAL CONDUCTOR

LEGEND

- 1000 WATT HIGH PRESSURE SODIUM HIGH MAST LIGHTING UNIT WITH 4 LUMINAIRES
- 1000 WATT HIGH PRESSURE SODIUM HIGH MAST LIGHTING UNIT WITH 3 LUMINAIRES
- 400 WATT HIGH PRESSURE SODIUM LIGHTING UNIT
- INPLACE LIGHTING UNIT
- INPLACE UNDERPASS LIGHTING UNIT
- DIRECT BURIED POWER CABLE 3 CONDUCTOR NO. 4 AWG ARMORED CABLE SPEC. NO. 3804 & 3805
- INPLACED RIGID STEEL CONDUIT
-
- PAD MOUNTED SOURCE OF POWER 240/480 V.
- INPLACE SOURCE OF POWER
- PERMANENT GROUND ROD (25 OHMS OR LESS)
- INPLACE PULL BOX
- PULL BOX
- F & I GUARDRAIL
- INP. GUARDRAIL

AS BUILT

FD. PTS. S5J, S5H, & S5L
LIGHTING PLAN

AS BUILT BY JH 4/23/13