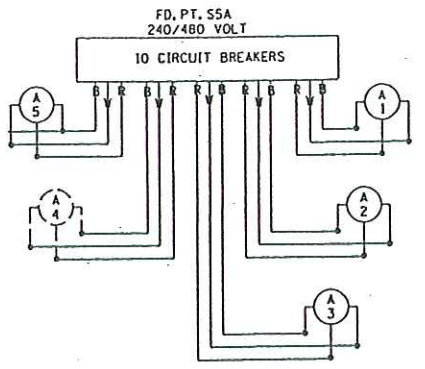


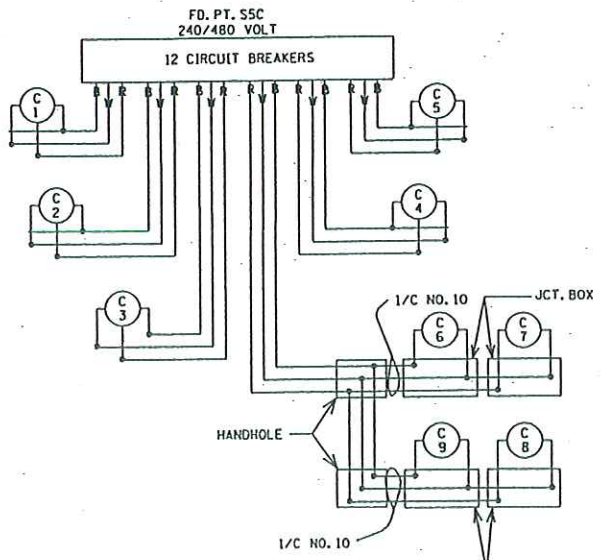
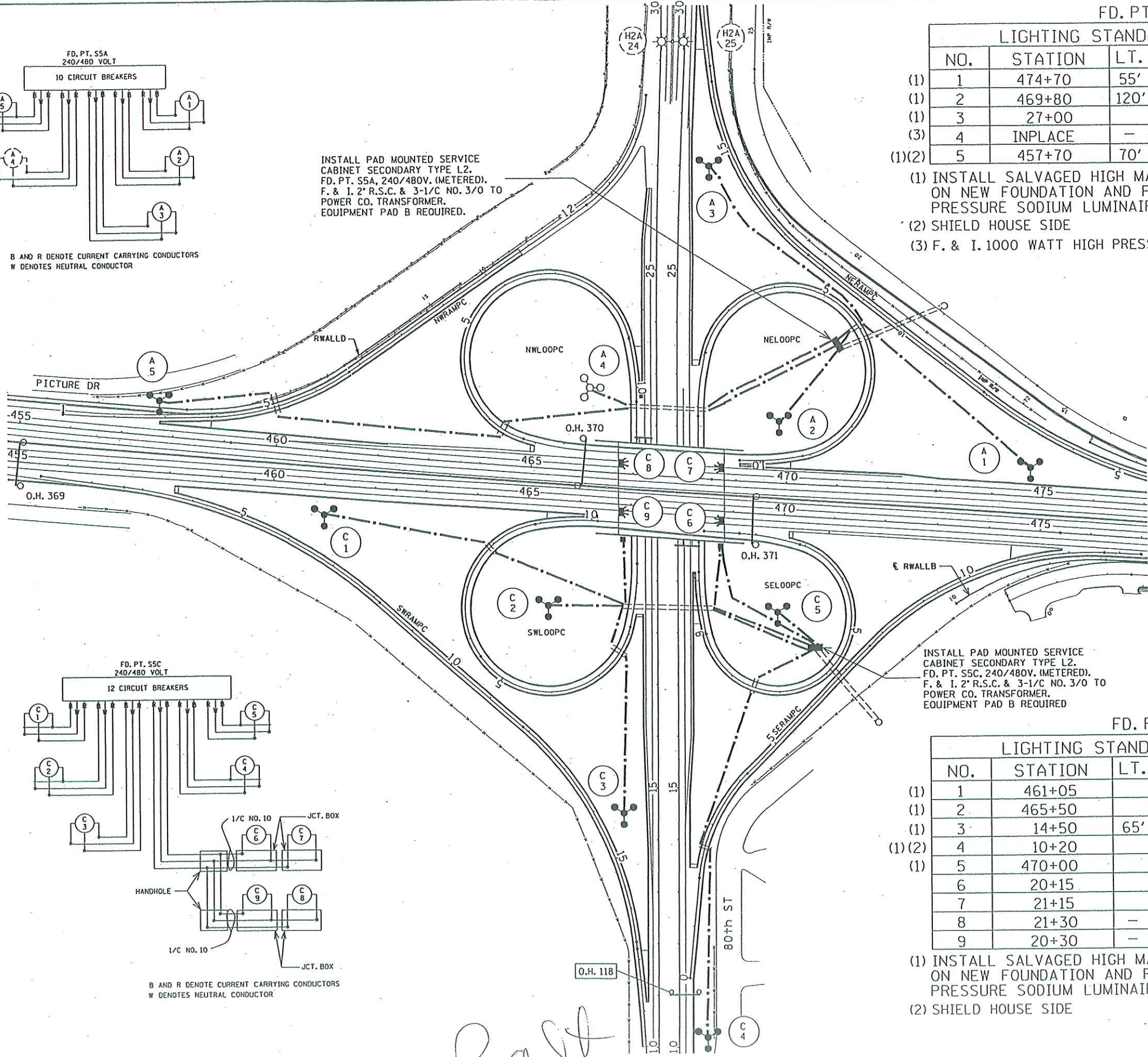
LIGHTING STANDARDS AND BASES					
NO.	STATION	LT.	RT.	LOCATION	TYPE
(1)	1	474+70	55'	T.H. 494 WBL	3-100
(1)	2	469+80	120'	T.H. 494 WBL	3-120
(1)	3	27+00	55'	T.H. 100 NBL	3-100
(3)	4	INPLACE	-	T.H. 494 WBL	3-120
(1)(2)	5	457+70	70'	T.H. 494 WBL	3-100

- (1) INSTALL SALVAGED HIGH MAST LIGHT STANDARD ON NEW FOUNDATION AND F. & I. 1000 WATT HIGH PRESSURE SODIUM LUMINAIRES
- (2) SHIELD HOUSE SIDE
- (3) F. & I. 1000 WATT HIGH PRESSURE SODIUM LUMINAIRES



B AND R DENOTE CURRENT CARRYING CONDUCTORS
W DENOTES NEUTRAL CONDUCTOR

INSTALL PAD MOUNTED SERVICE CABINET SECONDARY TYPE L2. FD. PT. S5A, 240/480V. (METERED). F. & I. 2" R.S.C. & 3-1/C NO. 3/0 TO POWER CO. TRANSFORMER. EQUIPMENT PAD B REQUIRED.



B AND R DENOTE CURRENT CARRYING CONDUCTORS
W DENOTES NEUTRAL CONDUCTOR

INSTALL PAD MOUNTED SERVICE CABINET SECONDARY TYPE L2. FD. PT. S5C, 240/480V. (METERED). F. & I. 2" R.S.C. & 3-1/C NO. 3/0 TO POWER CO. TRANSFORMER. EQUIPMENT PAD B REQUIRED

LIGHTING STANDARDS AND BASES					
NO.	STATION	LT.	RT.	LOCATION	TYPE
(1)	1	461+05	60'	T.H. 494 EBL	3-100
(1)	2	465+50	205'	T.H. 494 EBL	3-120
(1)	3	14+50	65'	T.H. 100 SBL	3-100
(1)(2)	4	10+20	55'	T.H. 100 NBL	3-100
(1)	5	470+00	185'	T.H. 494 EBL	3-120
	6	20+15	-	T.H. 100 NBL	L
	7	21+15	-	T.H. 100 NBL	L
	8	21+30	-	T.H. 100 SBL	L
	9	20+30	-	T.H. 100 SBL	L

- (1) INSTALL SALVAGED HIGH MAST LIGHT STANDARD ON NEW FOUNDATION AND F. & I. 1000 WATT HIGH PRESSURE SODIUM LUMINAIRES
- (2) SHIELD HOUSE SIDE