

! WARNING

**NODE
SYSTEM
ON POLES**



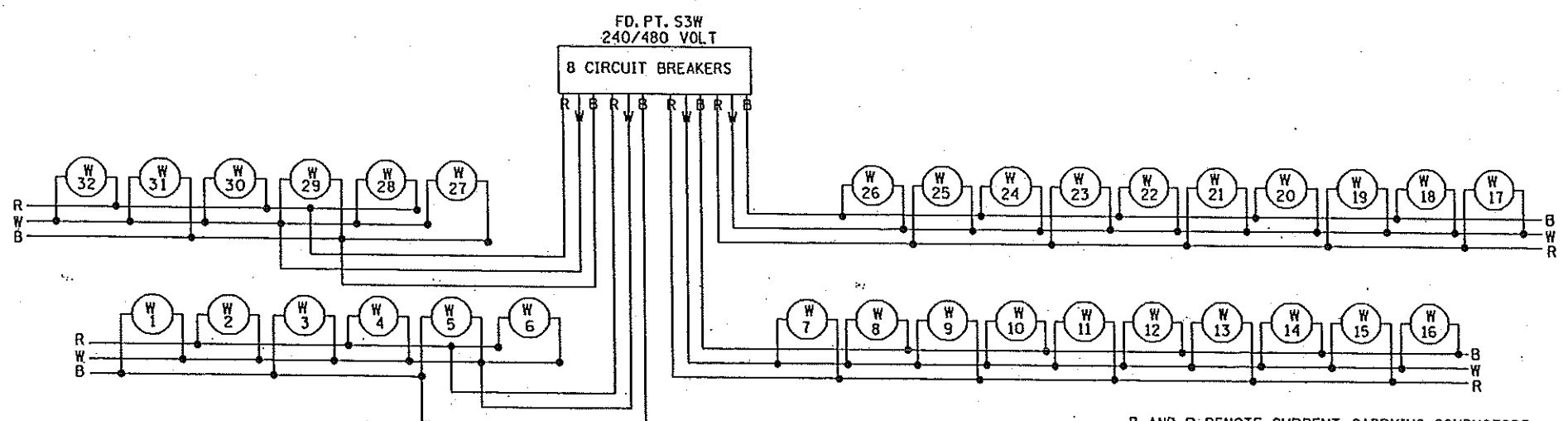
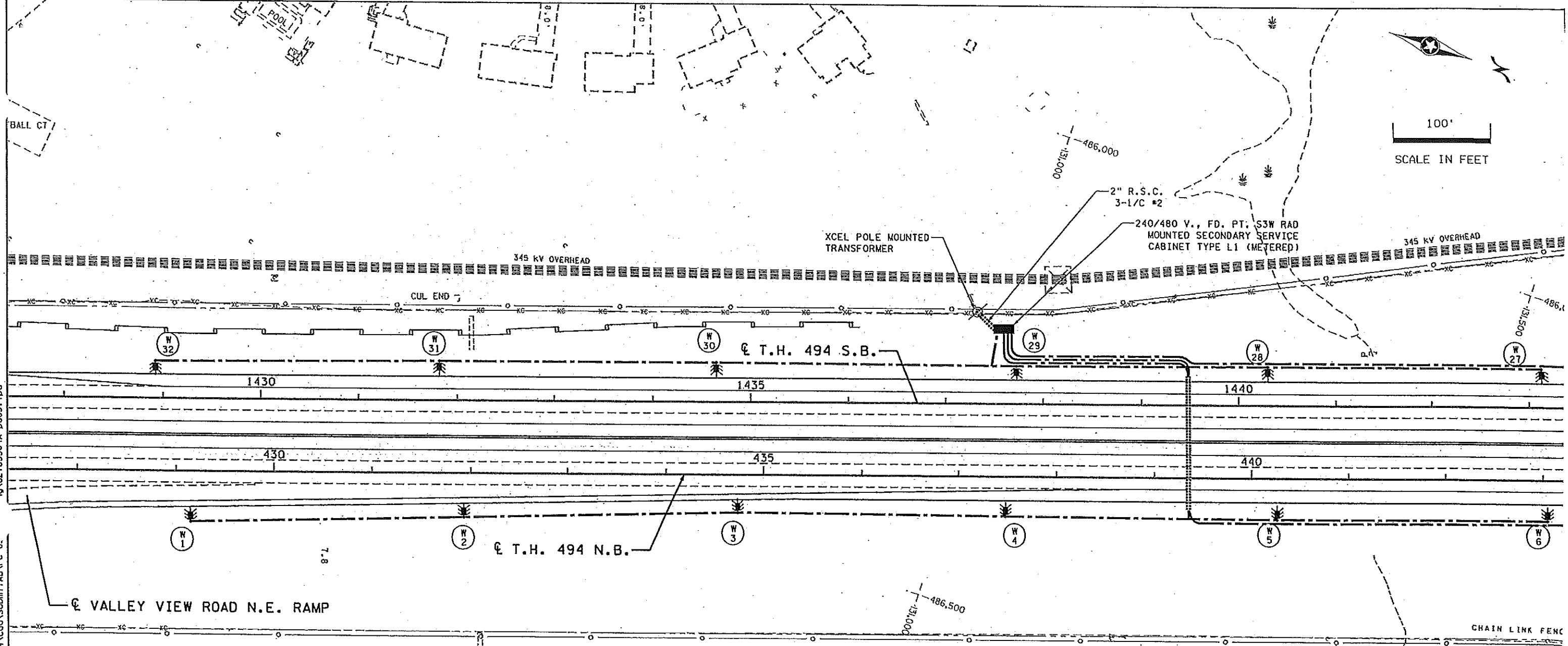
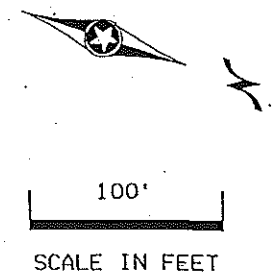
! WARNING

**Hazardous Voltage.
Risk of Electrical Shock.**

**CIRCUITS AND EQUIPMENT
ENERGIZED AT ALL TIMES.**

LOCKOUT/TAGOUT

PRIOR TO SERVICING!



LIGHTING STANDARDS & BASES						
NO.	STATION	LT	RT	LOCATION	POLE TYPE	FIXTURE
1	429+15		-	TH 494 N.B.	VM-49	400 W HP
2	431+93		-	TH 494 N.B.	VM-49	400 W HP
3	434+73		-	TH 494 N.B.	VM-49	400 W HP
4	437+48		-	TH 494 N.B.	VM-49	400 W HP
5	440+27		-	TH 494 N.B.	VM-49	400 W HP
6	443+04		-	TH 494 N.B.	VM-49	400 W HP
27	1443+12		-	TH 494 S.B.	VM-49	400 W HP
28	1440+30		-	TH 494 S.B.	VM-49	400 W HP
29	1437+72		-	TH 494 S.B.	VM-49	400 W HP
30	1434+65		-	TH 494 S.B.	VM-49	400 W HP
31	1431+81		-	TH 494 S.B.	VM-49	400 W HP
32	1428+93		-	TH 494 S.B.	VM-49	400 W HP

Time Plotted: 8:00:43 PM
 Plotted By: 73299
 Pen Table: \\parminn01\projects\966749-1494\MTKAF501\add\ibv
 File Path: \\parminn01\projects\966749-1494\add\submitt\ABVPC-0

MNDOT RELEASE FOR CONSTRUCTION

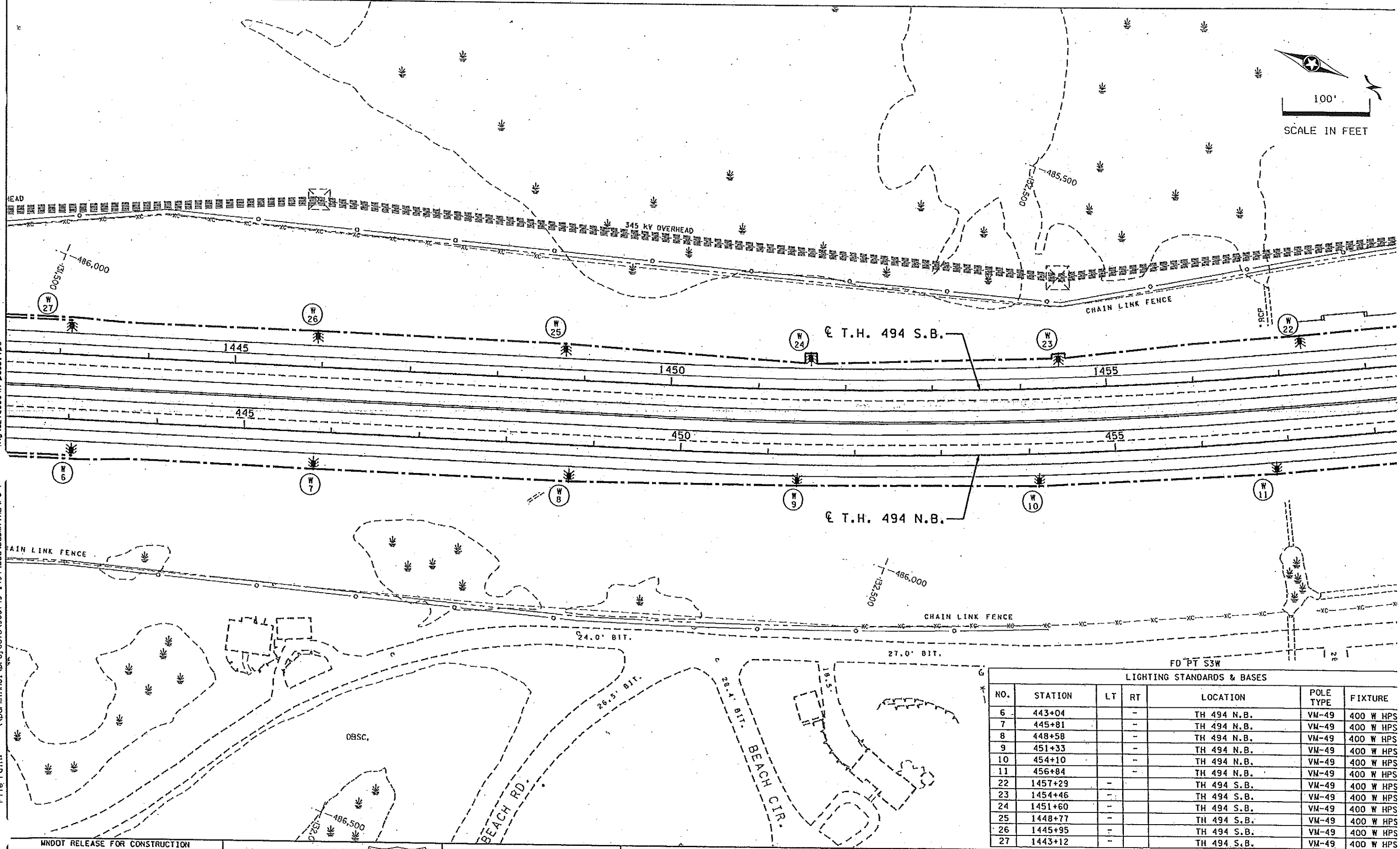
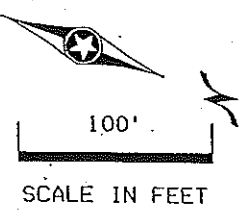
SIGNATURE	DATE	BY	CKD	REVISION
AB	12/8/06	LEW	MJW	AS BUILT



CERTIFIED BY: _____
 LICENSED PROFESSIONAL ENGINEER DATE _____
 NAME: BEATRIZ MENDEZ-PLANSKY LIC. NO. 25230

TITLE: PERMANENT LIGHTING PLAN
 STATE PROJ. NO. 2785-304 (T.H. 494)

DESIGNED BY: BMP	DRAWN BY: BJM	PACKAGE NO. PC-03
CHECKED BY: PJZ	SHEET LOCATION SLOO	
SHEET NO. 437 OF 965 SHEET		



LIGHTING STANDARDS & BASES						
NO.	STATION	LT	RT	LOCATION	POLE TYPE	FIXTURE
6	443+04		-	TH 494 N.B.	VM-49	400 W HPS
7	445+81		-	TH 494 N.B.	VM-49	400 W HPS
8	448+58		-	TH 494 N.B.	VM-49	400 W HPS
9	451+33		-	TH 494 N.B.	VM-49	400 W HPS
10	454+10		-	TH 494 N.B.	VM-49	400 W HPS
11	456+84		-	TH 494 N.B.	VM-49	400 W HPS
22	1457+29	-		TH 494 S.B.	VM-49	400 W HPS
23	1454+46	-		TH 494 S.B.	VM-49	400 W HPS
24	1451+60	-		TH 494 S.B.	VM-49	400 W HPS
25	1448+77	-		TH 494 S.B.	VM-49	400 W HPS
26	1445+95	-		TH 494 S.B.	VM-49	400 W HPS
27	1443+12	-		TH 494 S.B.	VM-49	400 W HPS

Time Plotted: 8:00:45 PM
 Plotted By: 73299
 Pen Table: \\pcrm1n01\proj\cts\966749-1494\MTKAFS01\cad\1b\...
 File Path: \\pcrm1n01\proj\cts\966749-1494\cad\Submi+AB\PC...

MNDOT RELEASE FOR CONSTRUCTION

SIGNATURE	DATE
NO	DATE
AB	12/18/06

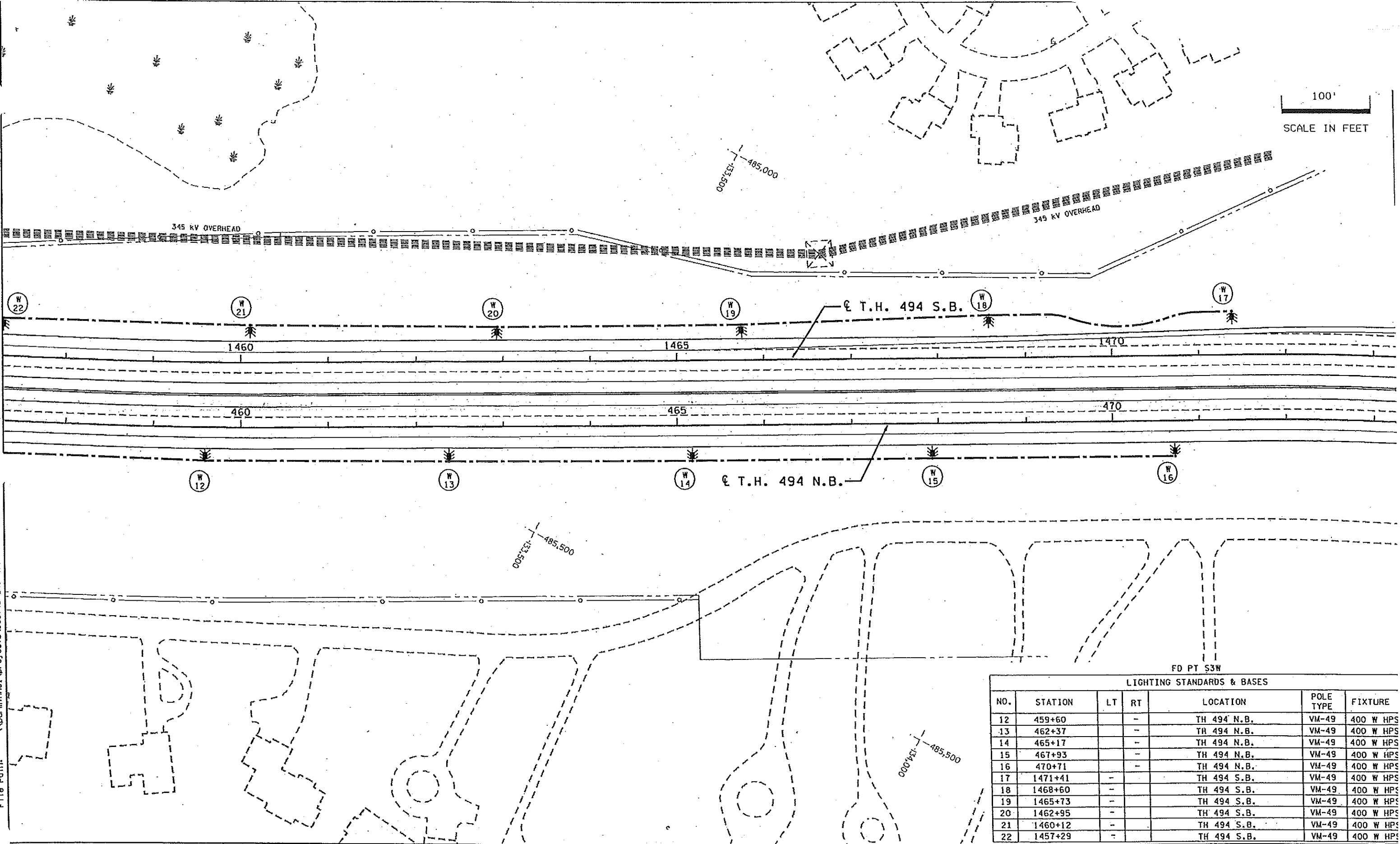


CERTIFIED BY: _____
 LICENSED PROFESSIONAL ENGINEER DATE _____
 NAME: BEATRIZ MENDEZ-PLANSKY LIC. NO. 25230

TITLE: PERMANENT LIGHTING PLAN
 STATE PROJ. NO. 2785-304 (T.H. 494)

DESIGNED BY: BWP
 DRAWN BY: BJM
 CHECKED BY: PJZ
 PACKAGE NO. PC-03
 SHEET LOCATION SLO06
 SHEET NO. 438 OF 965 SHEETS

100'
SCALE IN FEET



LIGHTING STANDARDS & BASES						
NO.	STATION	LT	RT	LOCATION	POLE TYPE	FIXTURE
12	459+60	-	-	TH 494 N.B.	VM-49	400 W HPS
13	462+37	-	-	TH 494 N.B.	VM-49	400 W HPS
14	465+17	-	-	TH 494 N.B.	VM-49	400 W HPS
15	467+93	-	-	TH 494 N.B.	VM-49	400 W HPS
16	470+71	-	-	TH 494 N.B.	VM-49	400 W HPS
17	1471+41	-	-	TH 494 S.B.	VM-49	400 W HPS
18	1468+60	-	-	TH 494 S.B.	VM-49	400 W HPS
19	1465+73	-	-	TH 494 S.B.	VM-49	400 W HPS
20	1462+95	-	-	TH 494 S.B.	VM-49	400 W HPS
21	1460+12	-	-	TH 494 S.B.	VM-49	400 W HPS
22	1457+29	-	-	TH 494 S.B.	VM-49	400 W HPS

Time Plotted: 8:00:49 PM
 Plotted By: 73299
 Pen Tables: \\parrinno1\projects\966749-1494\MTK\F501\cadd\1b\
 File Paths: \\parrinno1\projects\966749-1494\cadd\Subm\FAB\PC-L

MNDOT RELEASE FOR CONSTRUCTION

SIGNATURE		DATE	
NO	DATE	BY	CHKD
AS	12/7/06	LEW	MJK



CERTIFIED BY: _____ DATE _____
 LICENSED PROFESSIONAL ENGINEER
 NAME: BEATRIZ MENDEZ-PLANSKY LIC. NO. 25230

TITLE: PERMANENT LIGHTING PLAN
 STATE PROJ. NO. 2785-304 (T.H. 494)

DESIGNED BY: BMP
 DRAWN BY: BJM
 CHECKED BY: PJZ
 PACKAGE NO. PC-03
 SHEET LOCATION SLOOT
 SHEET NO. 439 OF 965 SHEETS