

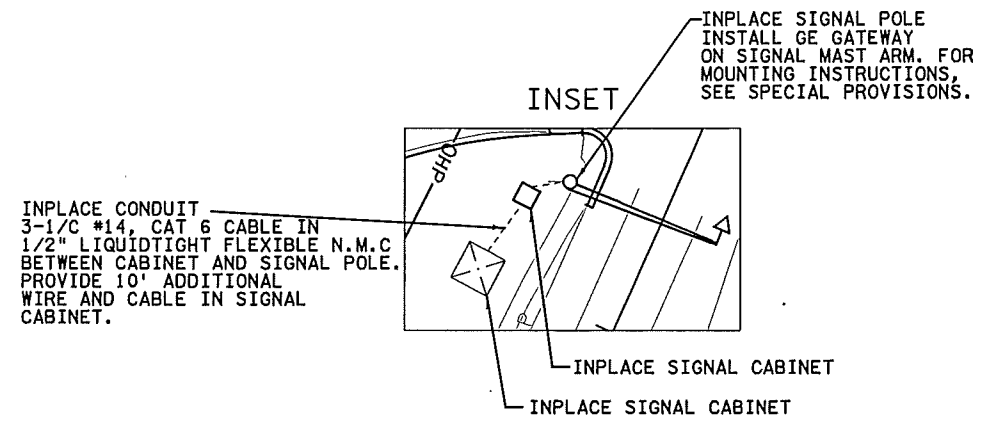
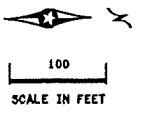
SEE LEGEND SHEET SL14

FEEDPOINT S02A

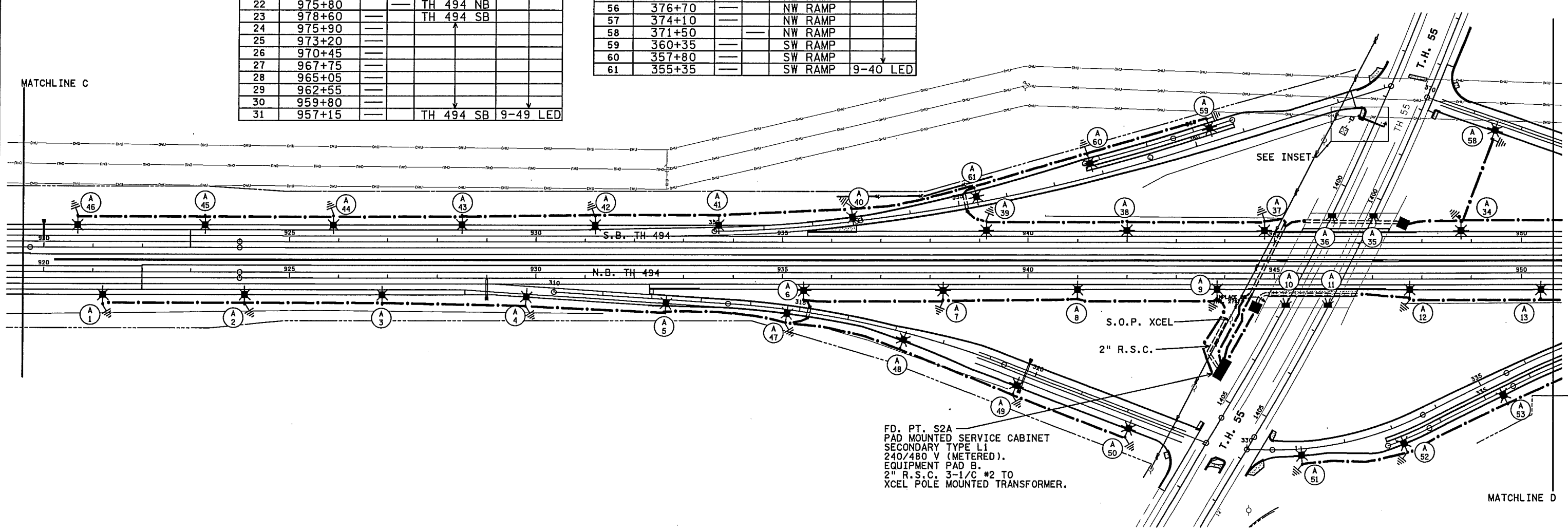
LIGHTING STANDARDS AND FOUNDATIONS				
NO.	STATION	LT. RT.	LOCATION	TYPE
1	921+20	---	TH 494 NB	9-49 LED
2	924+10	---	↑	↑
3	926+90	---	↑	↑
4	929+80	---	↑	↑
5	932+65	---	↑	↑
6	935+45	---	↑	↑
7	938+25	---	↑	↑
8	941+00	---	↑	↑
9	943+85	---	↑	9-49 LED
10	945+23	---	↑	L-LED
11	946+08	---	↑	L-LED
12	947+75	---	↑	9-49 LED
13	950+40	---	↑	↑
14	953+10	---	↑	↑
15	955+75	---	↑	↑
16	958+65	---	↑	↑
17	961+50	---	↑	↑
18	964+40	---	↑	↑
19	967+25	---	↑	↑
20	970+10	---	↑	↑
21	972+95	---	↑	↑
22	975+80	---	TH 494 NB	↑
23	978+60	---	TH 494 SB	↑
24	975+90	---	↑	↑
25	973+20	---	↑	↑
26	970+45	---	↑	↑
27	967+75	---	↑	↑
28	965+05	---	↑	↑
29	962+55	---	↑	↑
30	959+80	---	↑	↑
31	957+15	---	TH 494 SB	9-49 LED

FEEDPOINT S02A

LIGHTING STANDARDS AND FOUNDATIONS				
NO.	STATION	LT. RT.	LOCATION	TYPE
32	954+55	---	TH 494 SB	9-49 LED
33	951+70	---	↑	9-49 LED
34	948+80	---	↑	9-49 LED
35	947+02	---	↑	L-LED
36	946+17	---	↑	L-LED
37	944+80	---	↑	9-49 LED
38	942+00	---	↑	↑
39	939+15	---	↑	↑
40	936+40	---	↑	↑
41	933+70	---	↑	↑
42	931+20	---	↑	↑
43	928+50	---	↑	↑
44	925+90	---	↑	↑
45	923+30	---	↑	↑
46	920+70	---	TH 494 SB	9-49 LED
47	314+75	---	SE RAMP	9-40 LED
48	317+20	---	↑	↑
49	319+70	---	↑	↑
50	322+15	---	SE RAMP	↑
51	331+10	---	NE RAMP	↑
52	333+10	---	↑	↑
53	335+30	---	↑	↑
54	337+70	---	↑	↑
55	339+70	---	NE RAMP	↑
56	376+70	---	NW RAMP	↑
57	374+10	---	NW RAMP	↑
58	371+50	---	NW RAMP	↑
59	360+35	---	SW RAMP	↑
60	357+80	---	SW RAMP	↑
61	355+35	---	SW RAMP	9-40 LED



MATCHLINE C



MATCHLINE D

FD. PT. S2A
 PAD MOUNTED SERVICE CABINET
 SECONDARY TYPE L1
 240/480 V (METERED).
 EQUIPMENT PAD B.
 2" R.S.C. 3-1/2" #2 TO
 XCEL POLE MOUNTED TRANSFORMER.

LIGHT SYSTEM "B"
 FEED POINT S2A

S.A.P. 027-030-039

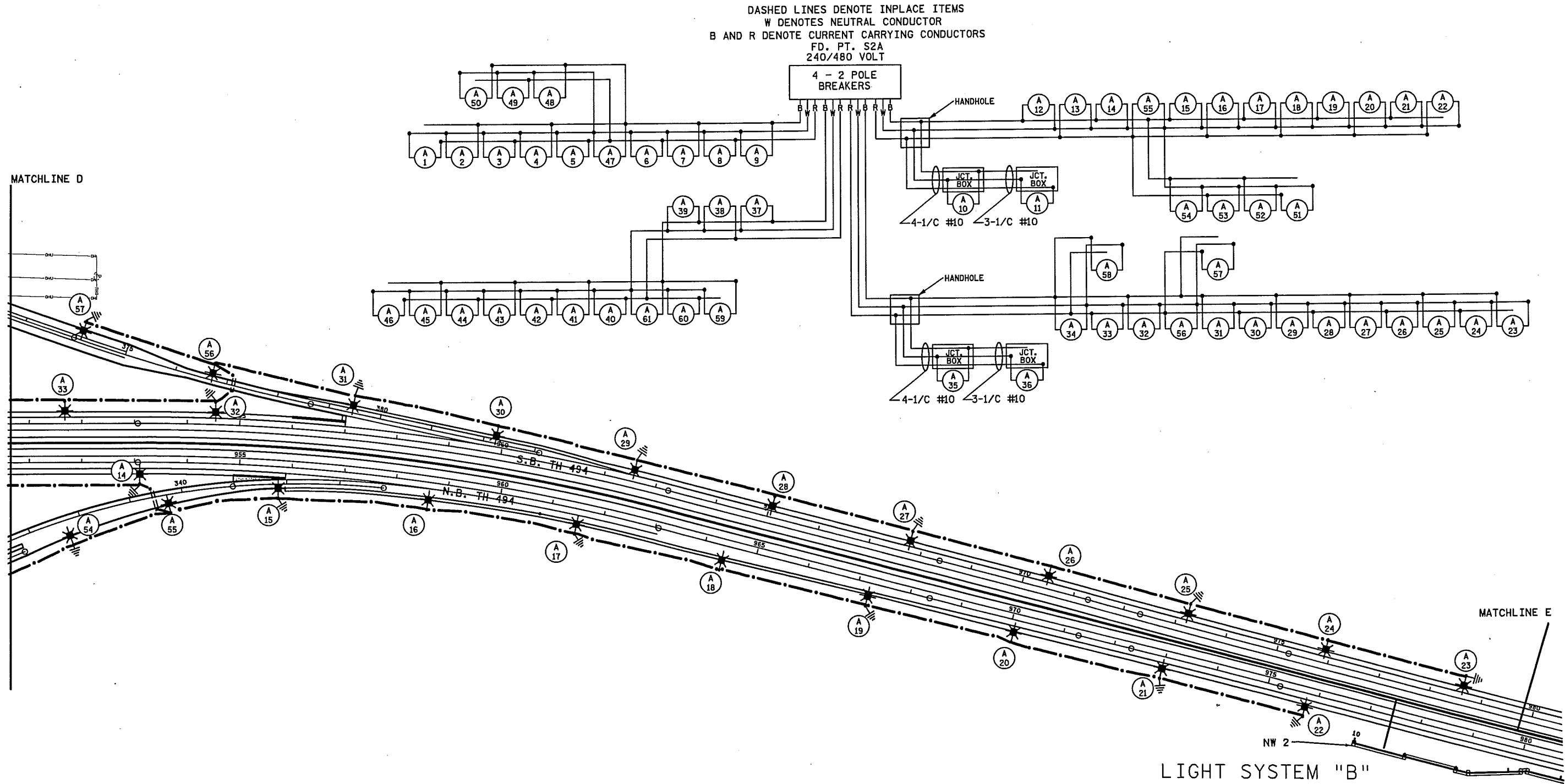
DISTRICT #: METRO
 IPLOT NAME: 12785-330JH10.ppt
 PATH & FILENAME: IP_PWP-d157491412785-330JH10.dgn

BY	DATE	REVISIONS	FEEDPOINT: S2A NEAR T.H. 55 METER ADDRESS: 13801 T.H. 55, PLYMOUTH MN 55441	LIGHTING PLAN
DRAWN BY: PB	CKD BY:	DATE:	CERTIFIED BY <i>Michael P. Schenck</i> LIC. NO. 19863 DATE: 11/10/2014	
STATE PROJ. NO. 2785-330 (T.H. 494) SHEET NO. SL17 OF SL27 SHEETS				

SEE LEGEND SHEET SL14



PLOTTED/REVISED: 12/15/2014



DISTRICT #: METRO
 IPLOT NAME: 12785-330.tif.io.a
 PATH & FILENAME: IP_PWP-d1574914942785-330.tif.io.a.dgn

LIGHT SYSTEM "B"
 FEED POINT S2A

S.A.P. 027-030-039

BY	DATE	REVISIONS	FEEDPOINT: S2A	LOCATION: NEAR T.H. 55	LIGHTING PLAN
			METER ADDRESS: 13801 HWY 55, PLYMOUTH 55441		
DRAWN BY: PB			CERTIFIED BY: <i>Michael P. Lubinsky</i>		STATE PROJ.NO. 2785-330 (T.H. 494) SHEET NO. SL18 OF SL27 SHEETS
CKD BY:			LIC. NO. 19863 DATE: 12/15/2014		
DATE:					