

FEED POINT	UNIT NO.'S	NO. OF LAMPS
R9V	9B, 10R	2 - 400 W H.P.S.
R9W	8B, 9R	2 - 400 W H.P.S.

TOTAL NO. 400 WATT H.P.S. THIS SHEET. 4 LAMPS

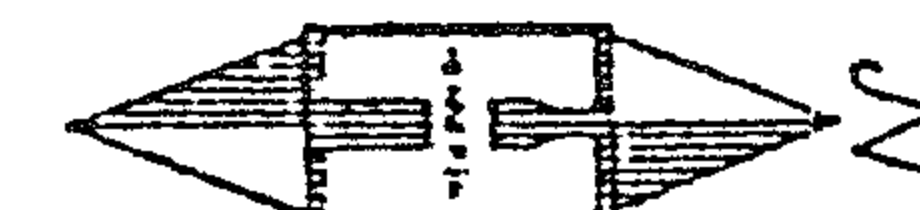
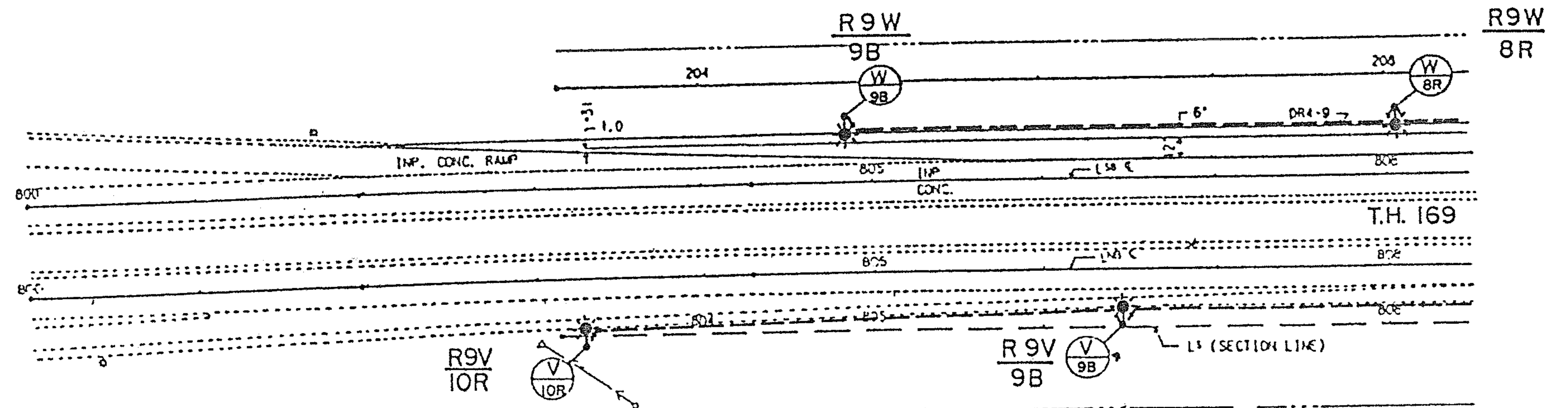


EXHIBIT 237 A

NOTE:

ALL CABLE SHALL BE 3/4" #6 ARMORED CABLE UNLESS SPECIFICALLY NOTED OTHERWISE ARMORED CABLE SHALL BE INSTALLED WITHIN ONE FOOT (1'-0") OF EDGE OF SHOULDER BACK EDGE OF CURB OR EDGE OF BITUMINOUS BERM



PLAN LEGEND

ABBREVIATIONS

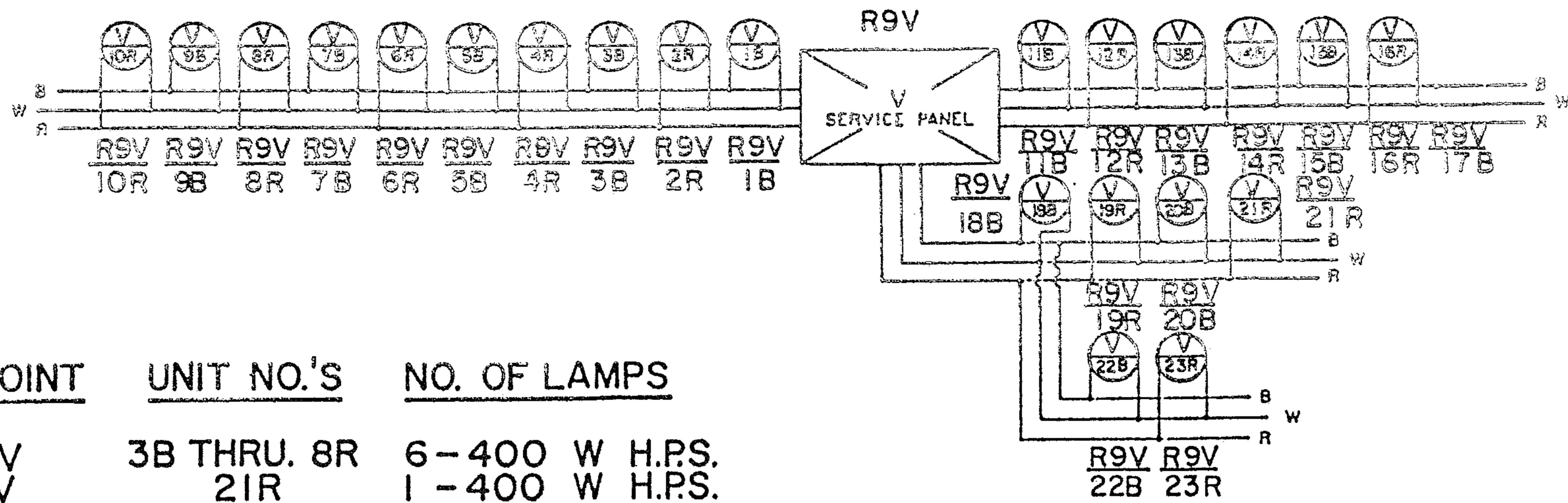
- LIGHT STANDARD 400 WATT HPS
- SOURCE OF POWER
- BASE MOUNTED SERVICE PANEL, TYPE BM 240-480 VOLTS
- DISTRIBUTION CABLE
- RIGID STEEL CONDUIT

- SP --- SERVICE PANEL
- MA --- MAST ARM
- SOP --- SOURCE OF POWER
- RSC --- RIGID STEEL CONDUIT
- MH --- MOUNTING HEIGHT
- B --- DENOTES BLACK CONDUCTOR
- R --- DENOTES RED CONDUCTOR
- W --- DENOTES WHITE CONDUCTOR
- HH --- HANDHOLE

UNIT NO.	STATION AND LOCATION	M.A.
R9V	V - 9B 806+45 --- 34' RT	9'
	- 10R 803+27 --- 41' RT	9'
R9W	W - 8R 808+05 --- 41' LT	9'
	- 9B 804+85 --- 41' LT	9'

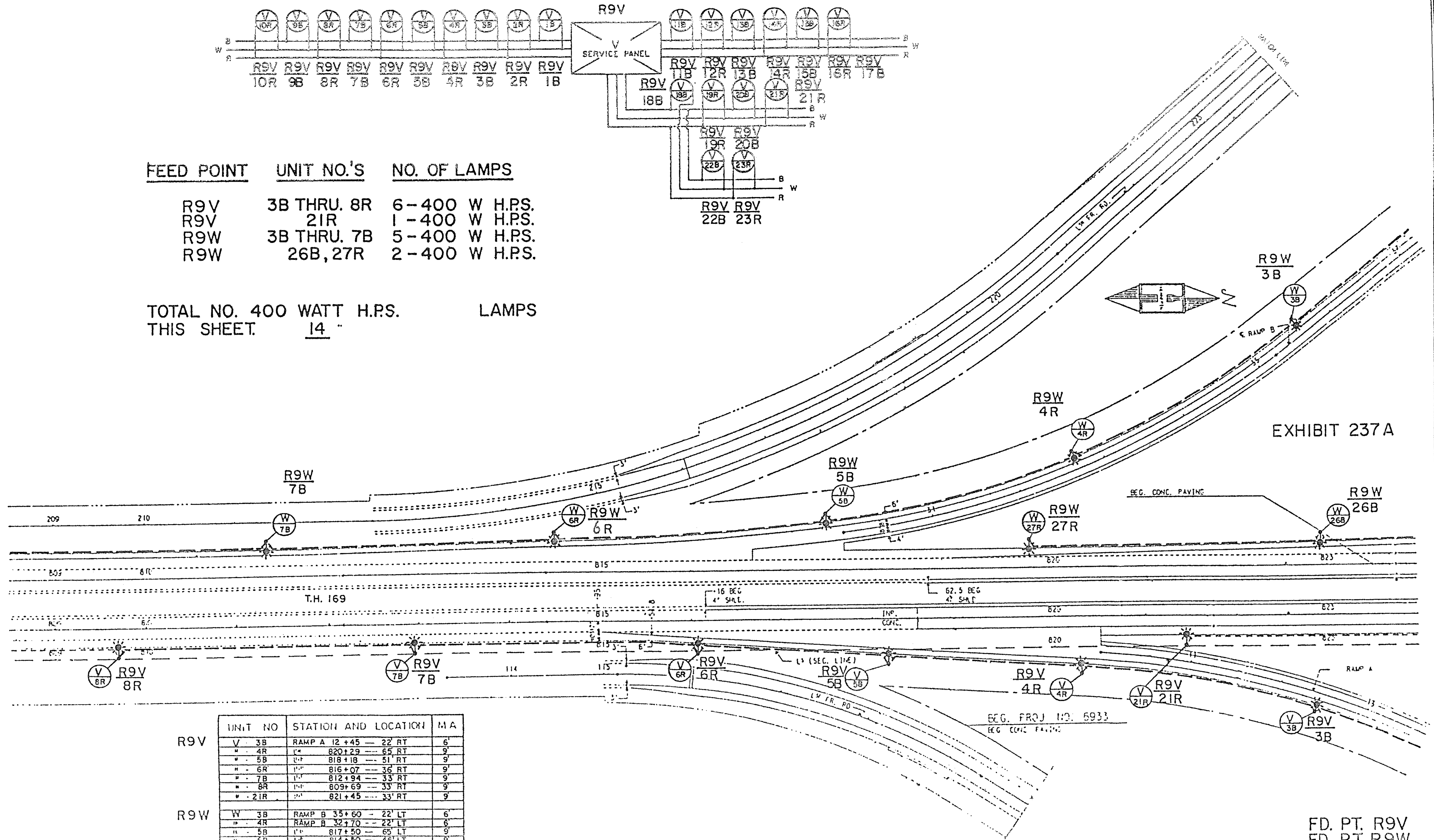
FD PT. R9V
FD PT. R9W
LIGHTING PLAN

S.P. NO. 27-616-39 169 & 77th AVE. N.-C.R-130



FEED POINT	UNIT NO.'S	NO. OF LAMPS
R9V	3B THRU. 8R	6-400 W H.P.S.
R9V	21R	1-400 W H.P.S.
R9W	3B THRU. 7B	5-400 W H.P.S.
R9W	26B, 27R	2-400 W H.P.S.

TOTAL NO. 400 WATT H.P.S. LAMPS
THIS SHEET. 14



UNIT NO	STATION AND LOCATION	MA
R9V	V - 3B RAMP A 12+45 - 22' RT	6'
R9V	" - 4R " 820+29 - 65' RT	9'
R9V	" - 5B " 818+18 - 51' RT	9'
R9V	" - 6R " 816+07 - 36' RT	9'
R9V	" - 7B " 812+94 - 33' RT	9'
R9V	" - 8R " 809+69 - 33' RT	9'
R9V	" - 21R " 821+45 - 33' RT	9'
R9W	W - 3B RAMP B 35+60 - 22' LT	6'
R9W	" - 4R RAMP B 32+70 - 22' LT	6'
R9W	" - 5B " 817+50 - 65' LT	9'
R9W	" - 6R " 814+50 - 46' LT	9'
R9W	" - 7B " 811+33 - 41' LT	9'
R9W	" - 26B " 822+23 - 37' LT	9'
R9W	" - 27R " 819+73 - 33' LT	9'

S.P. NO. 27-619-36

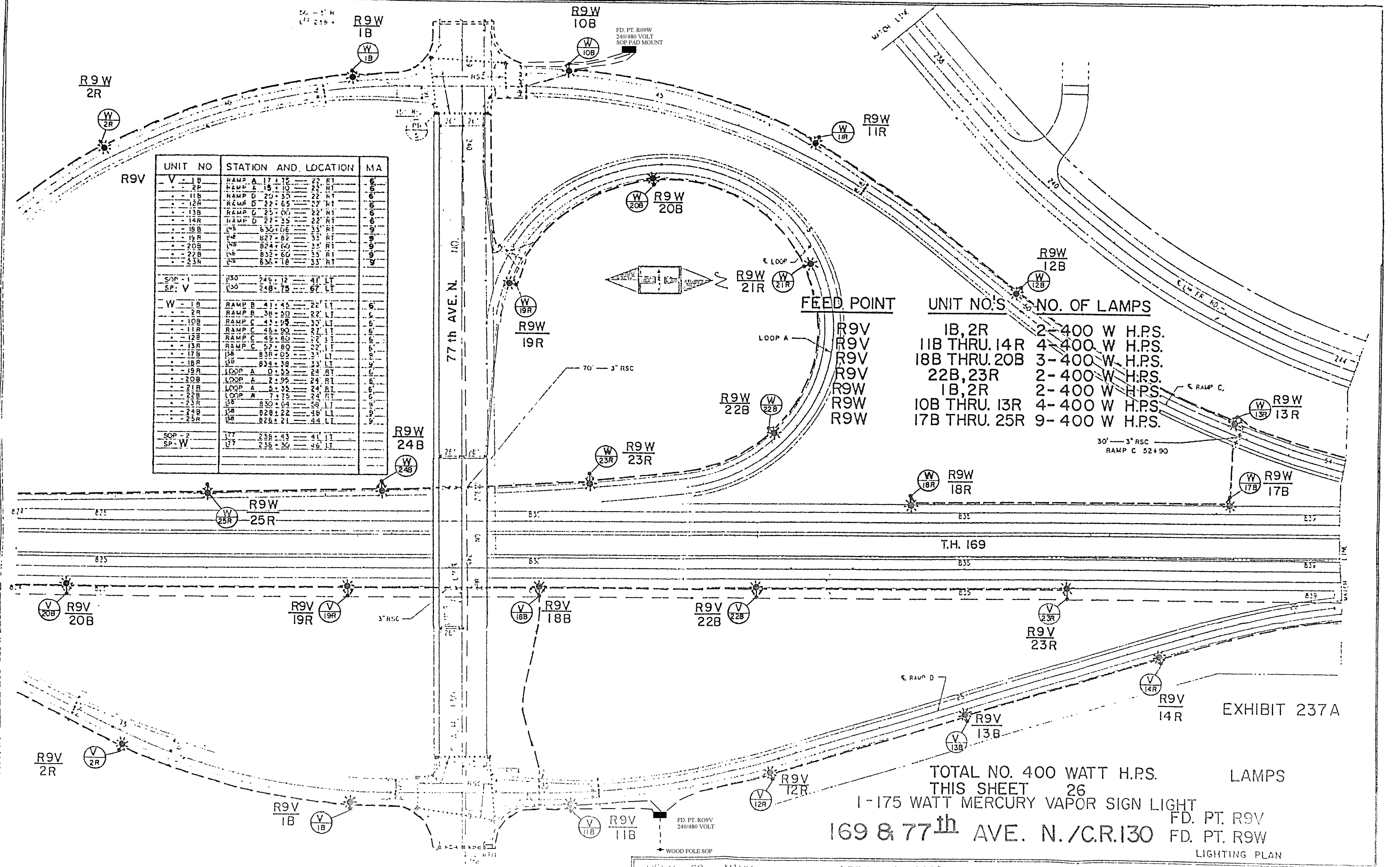
169 & 77th AVE. NORTH / C. R. 130

FD. PT. R9V
LIGHTING PLAN
FD. PT. R9W

UNIT NO	STATION AND LOCATION	MA
V-1B	RAMP A 17+12.5	22 RT
-2R	RAMP A 19+10	22 RT
-11B	RAMP D 20+55	22 RT
-12R	RAMP D 22+65	22 RT
-13B	RAMP D 23+00	22 RT
-14R	RAMP D 27+35	22 RT
-16B	LINE 630+06	33 RT
-19R	LINE 827+82	33 RT
-20B	LINE 824+60	33 RT
-22B	LINE 832+60	33 RT
-23R	LINE 832+78	33 RT
SOP-1	135 245+12	41 LT
SP-V	135 248+75	67 LT
W-1B	RAMP B 41+45	22 LT
-2R	RAMP B 38+50	22 LT
-10B	RAMP C 43+95	32 LT
-11R	RAMP C 46+90	32 LT
-12B	RAMP C 49+80	32 LT
-13R	RAMP C 52+80	32 LT
-17B	ISB 838+05	33 LT
-18R	ISB 838+38	33 LT
-19R	LOOP A 0+55	24 RT
-20B	LOOP A 2+95	24 RT
-21R	LOOP A 5+35	24 RT
-22B	LOOP A 7+15	24 RT
-23R	ISB 830+64	33 LT
-24B	ISB 828+22	33 LT
-25R	ISB 828+21	33 LT
SOP-2	177 238+43	41 LT
SP-W	177 236+30	46 LT

UNIT NO'S	NO. OF LAMPS
1B, 2R	2-400 W H.P.S.
11B THRU. 14R	4-400 W H.P.S.
18B THRU. 20B	3-400 W H.P.S.
22B, 23R	2-400 W H.P.S.
1B, 2R	2-400 W H.P.S.
10B THRU. 13R	4-400 W H.P.S.
17B THRU. 25R	9-400 W H.P.S.

TOTAL NO. 400 WATT H.P.S. LAMPS
 THIS SHEET 26
 1-175 WATT MERCURY VAPOR SIGN LIGHT
 169 & 77th AVE. N./C.R.130
 LIGHTING PLAN



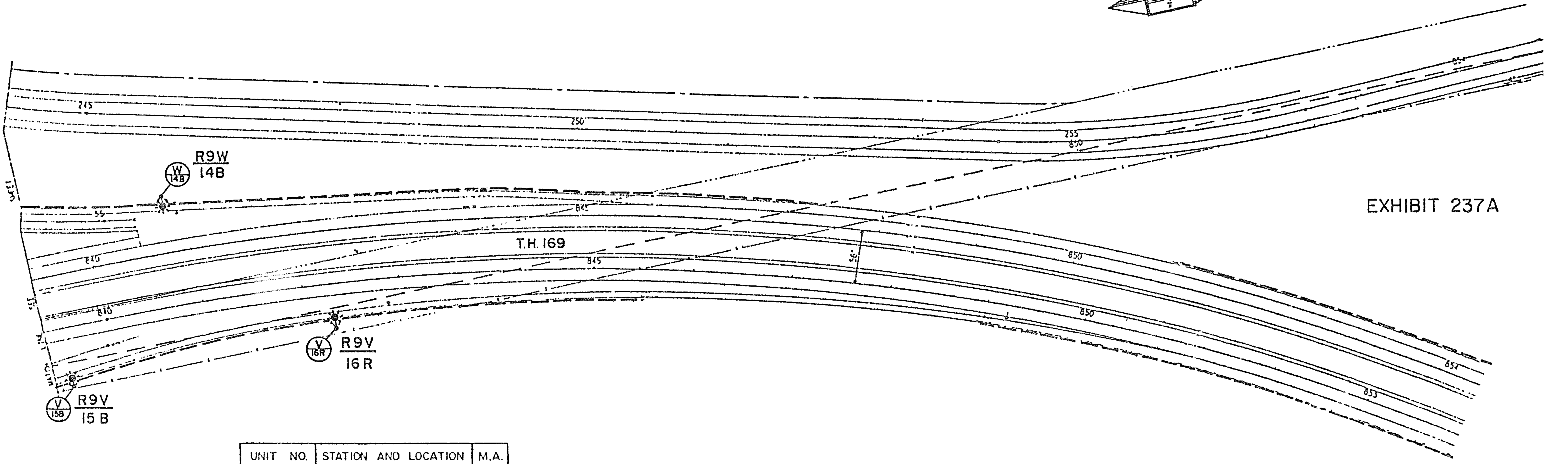
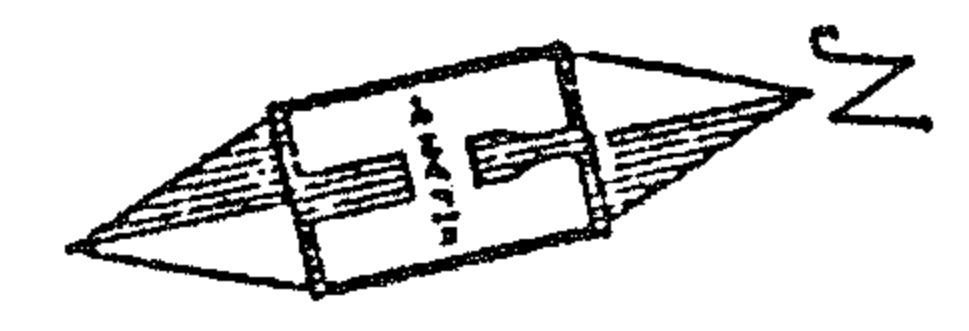
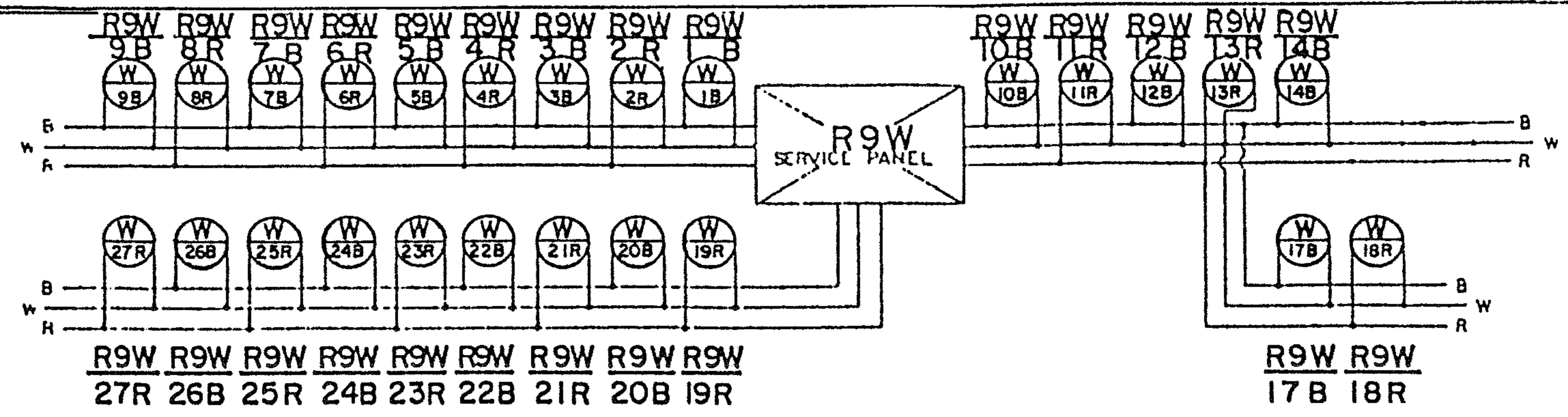


EXHIBIT 237A

	UNIT NO.	STATION AND LOCATION	M.A.
R9V	V 15B	839+54 — 61' RT	6'
	16R	842+30 — 47' RT	9'
R9W	W 14B	840+7B — 61' LT	9'

169 & 77th AVE. N. / C. R. 130-T.H.52

FD. PT. R9V
FD. PT. R9W

S.P. NO. 27-618-39

LIGHTING PLAN