

FEED POINT	UNIT NO.'S	NO. OF LAMPS
R9V	9B, 10R	2 - 400 W H.P.S.
R9W	8B, 9R	2 - 400 W H.P.S.

TOTAL NO. 400 WATT H.P.S. THIS SHEET. 4 LAMPS

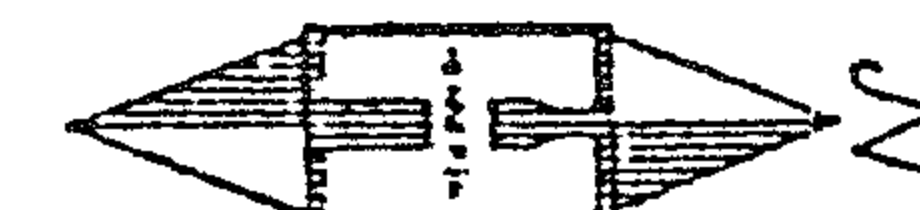
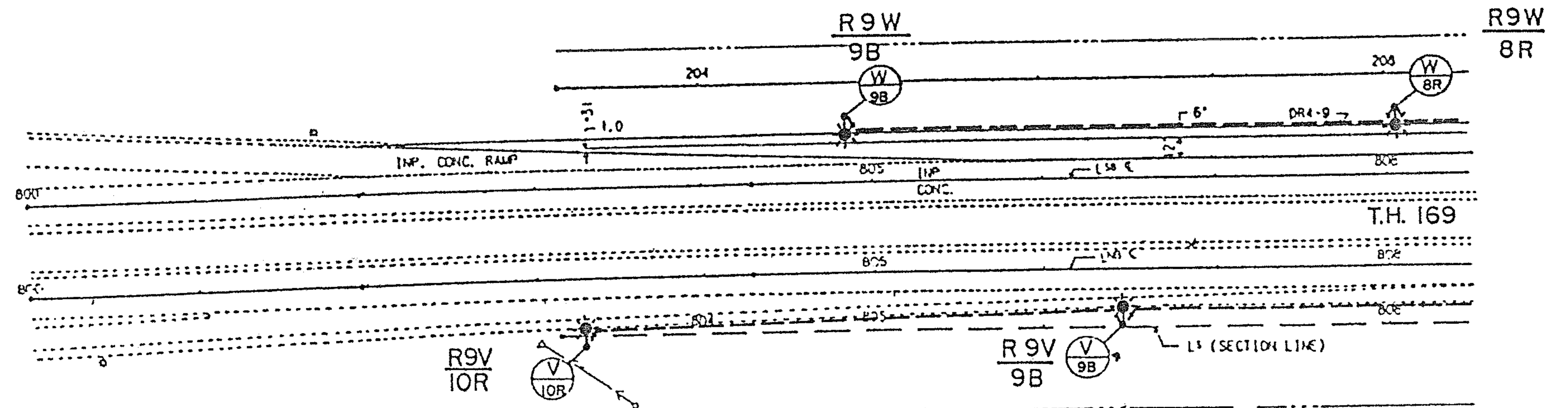


EXHIBIT 237 A

NOTE:

ALL CABLE SHALL BE 3/4" #6 ARMORED CABLE UNLESS SPECIFICALLY NOTED OTHERWISE ARMORED CABLE SHALL BE INSTALLED WITHIN ONE FOOT (1'-0") OF EDGE OF SHOULDER BACK EDGE OF CURB OR EDGE OF BITUMINOUS BERM



PLAN LEGEND

ABBREVIATIONS

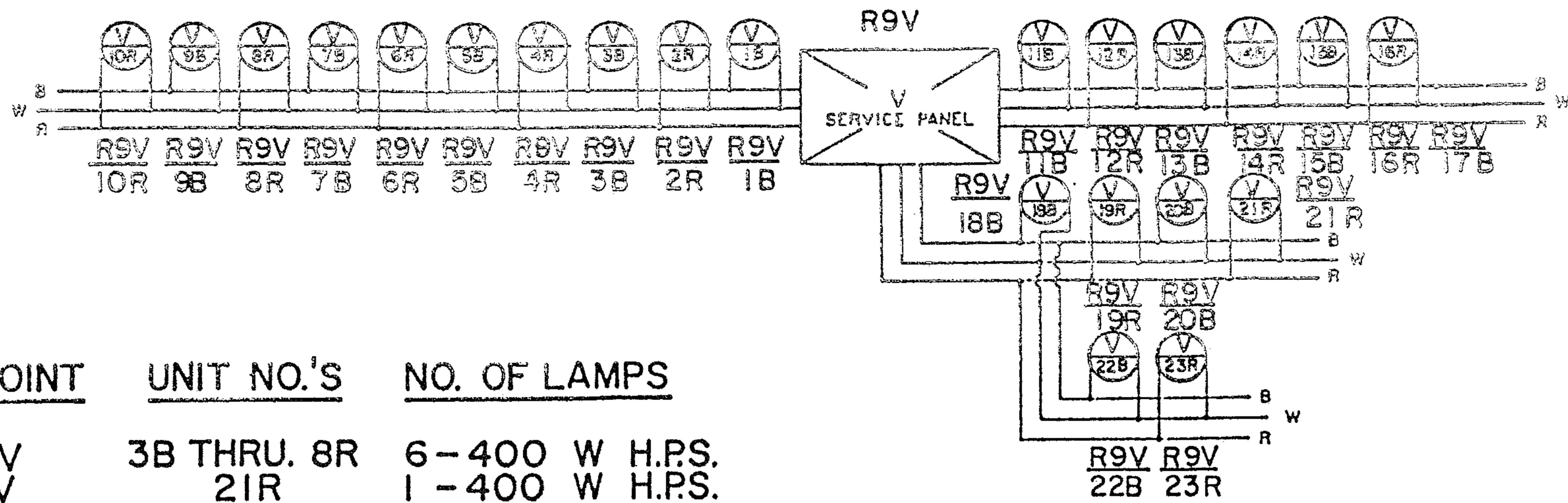
- LIGHT STANDARD 400 WATT HPS
- SOURCE OF POWER
- BASE MOUNTED SERVICE PANEL, TYPE BM 240-480 VOLTS
- DISTRIBUTION CABLE
- RIGID STEEL CONDUIT

- SP --- SERVICE PANEL
- MA --- MAST ARM
- SOP --- SOURCE OF POWER
- RSC --- RIGID STEEL CONDUIT
- MH --- MOUNTING HEIGHT
- B --- DENOTES BLACK CONDUCTOR
- R --- DENOTES RED CONDUCTOR
- W --- DENOTES WHITE CONDUCTOR
- HH --- HANDHOLE

UNIT NO.	STATION AND LOCATION	M.A.
R9V	V - 9B 806+45 --- 34' RT	9'
	- 10R 803+27 --- 41' RT	9'
R9W	W - 8R 808+05 --- 41' LT	9'
	- 9B 804+85 --- 41' LT	9'

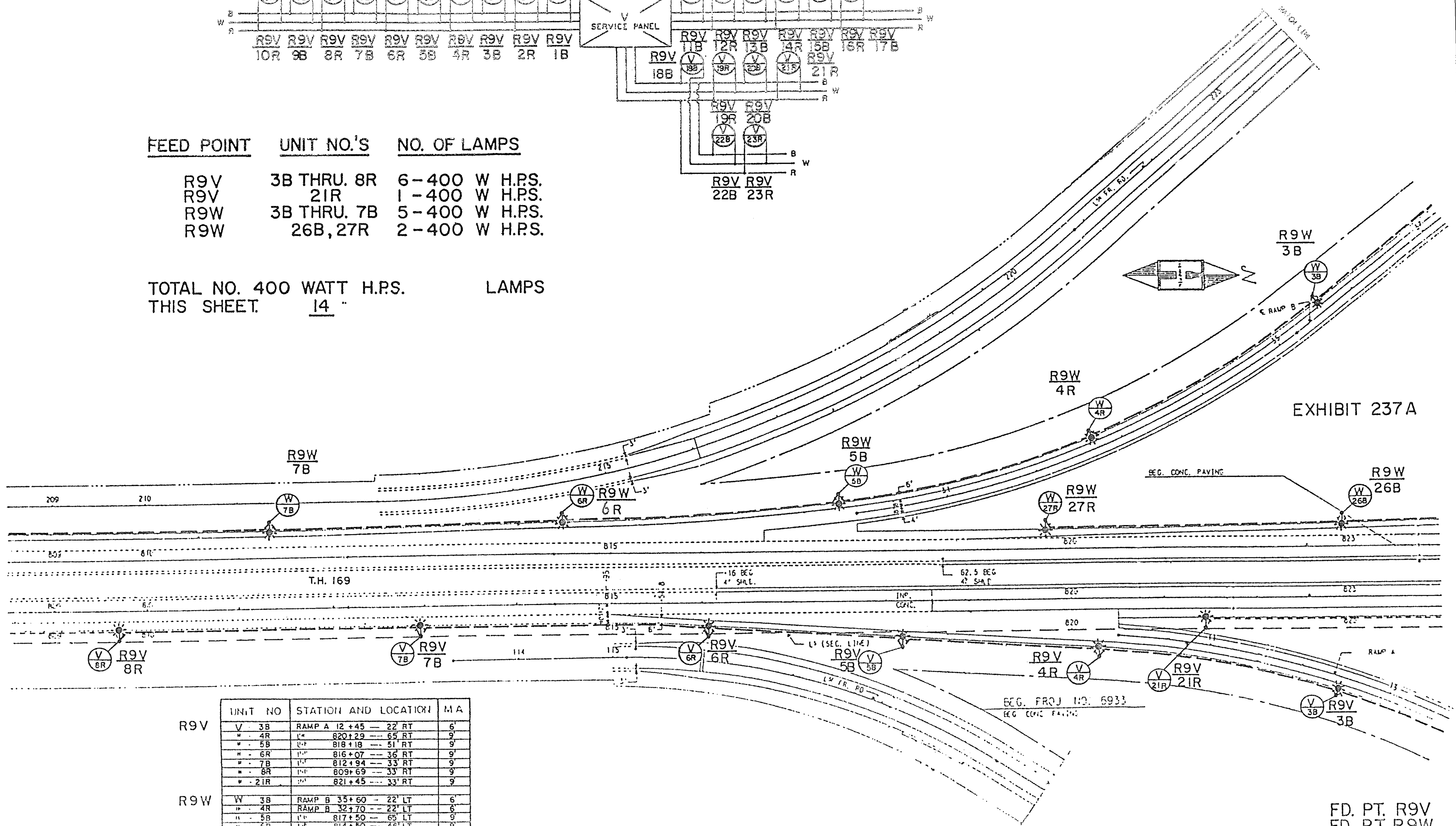
FD PT. R9V  
FD PT. R9W  
LIGHTING PLAN

S.P. NO. 27-616-39 169 & 77<sup>th</sup> AVE. N.-C.R.130



FEED POINT	UNIT NO.'S	NO. OF LAMPS
R9V	3B THRU. 8R	6-400 W H.P.S.
R9V	21R	1-400 W H.P.S.
R9W	3B THRU. 7B	5-400 W H.P.S.
R9W	26B, 27R	2-400 W H.P.S.

TOTAL NO. 400 WATT H.P.S. LAMPS  
THIS SHEET. 14



UNIT NO	STATION AND LOCATION	MA
R9V	V-3B RAMP A 12+45 - 22' RT	6'
R9V	"-4R " 820+29 - 65' RT	9'
R9V	"-5B " 818+18 - 51' RT	9'
R9V	"-6R " 816+07 - 36' RT	9'
R9V	"-7B " 812+94 - 33' RT	9'
R9V	"-6R " 809+69 - 33' RT	9'
R9V	"-21R " 821+45 - 33' RT	9'
R9W	W-3B RAMP B 35+60 - 22' LT	6'
R9W	"-4R RAMP B 32+70 - 22' LT	6'
R9W	"-5B " 817+50 - 65' LT	9'
R9W	"-6R " 814+50 - 46' LT	9'
R9W	"-7B " 811+33 - 41' LT	9'
R9W	"-26B " 822+23 - 37' LT	9'
R9W	"-27R " 819+73 - 33' LT	9'

S.P. NO. 27-619-36

169 & 77th AVE. NORTH / C. R. 130

HENN, CO., MINN.

PROJ. NO. 6933

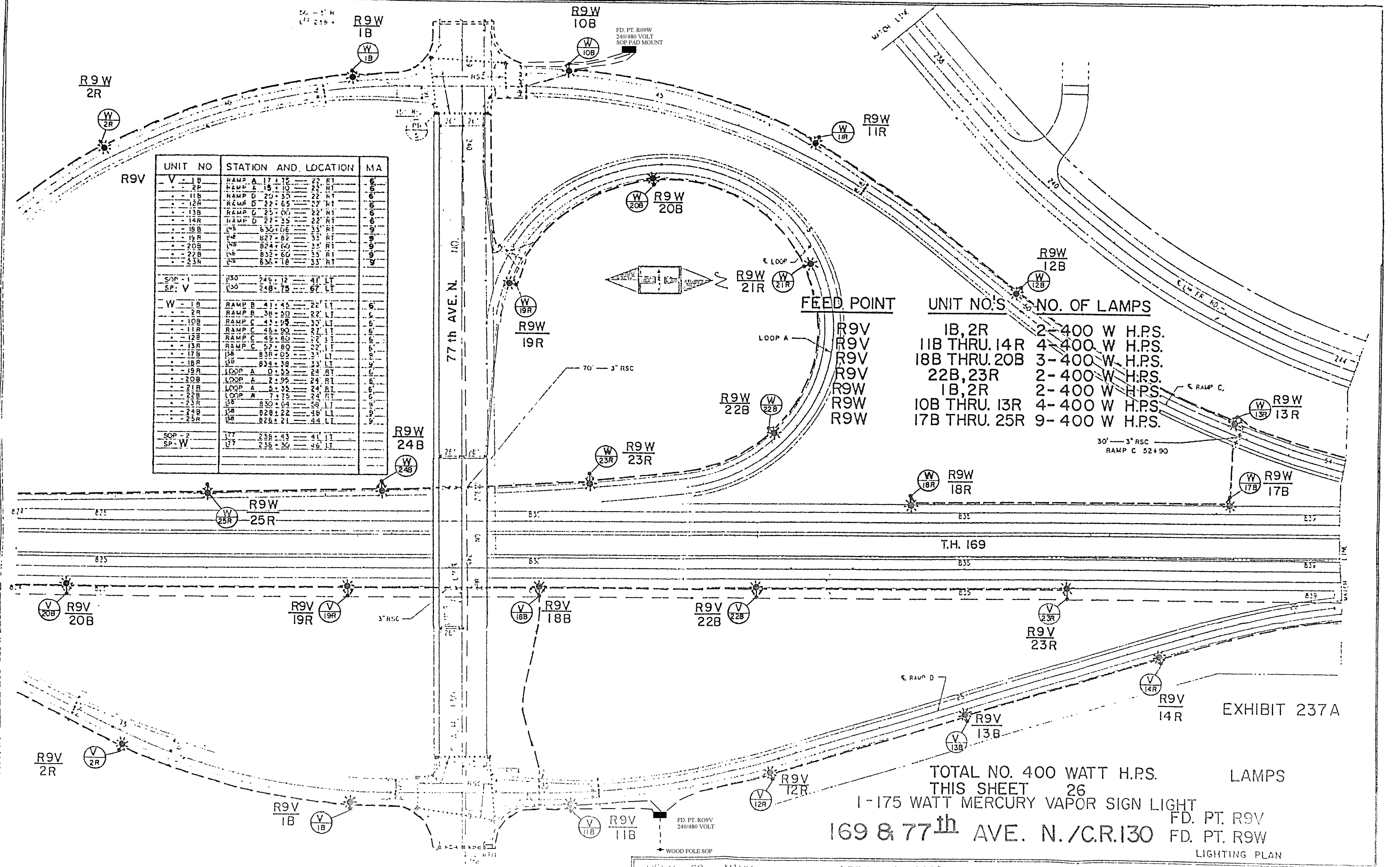
FD. PT. R9V  
LIGHTING PLAN  
FD. PT. R9W

SHEET 2 OF 9 SHEETS

UNIT NO	STATION AND LOCATION	MA
V-1B	RAMP A 17+12.22 RT	22
-2R	RAMP A 19+10.22 RT	22
-11B	RAMP D 20+55.22 RT	22
-12R	RAMP D 22+65.22 RT	22
-13B	RAMP D 23+00.22 RT	22
-14R	RAMP D 27+35.22 RT	22
-16B	LINE 630+06.33 RT	22
-19R	LINE 827+82.33 RT	22
-20B	LINE 824+60.33 RT	22
-22B	LINE 832+60.33 RT	22
-23R	LINE 832+78.33 RT	22
SOP-1	135 245+12 41 LT	
SP-V	135 248+75 67 LT	
W-1B	RAMP B 41+45.22 LT	6
-2R	RAMP B 38+50.22 LT	6
-10B	RAMP C 43+95.22 LT	6
-11R	RAMP C 46+90.22 LT	6
-12B	RAMP C 49+80.22 LT	6
-13R	RAMP C 52+80.22 LT	6
-17B	ISB 838+05.22 LT	6
-18R	ISB 838+38.22 LT	6
-19R	LOOP A 0+55.24 RT	6
-20B	LOOP A 2+95.24 RT	6
-21R	LOOP A 5+35.24 RT	6
-22B	LOOP A 7+15.24 RT	6
-23R	ISB 830+64.24 LT	6
-24B	ISB 828+22.24 LT	6
-25R	ISB 828+21.24 LT	6
SOP-2	177 238+43 41 LT	
SP-W	177 236+30 46 LT	

UNIT NO'S	NO. OF LAMPS
1B, 2R	2-400 W H.P.S.
11B THRU. 14R	4-400 W H.P.S.
18B THRU. 20B	3-400 W H.P.S.
22B, 23R	2-400 W H.P.S.
1B, 2R	2-400 W H.P.S.
10B THRU. 13R	4-400 W H.P.S.
17B THRU. 25R	9-400 W H.P.S.

TOTAL NO. 400 WATT H.P.S. LAMPS  
 THIS SHEET 26  
 1-175 WATT MERCURY VAPOR SIGN LIGHT  
 169 & 77th AVE. N./C.R.130  
 LIGHTING PLAN



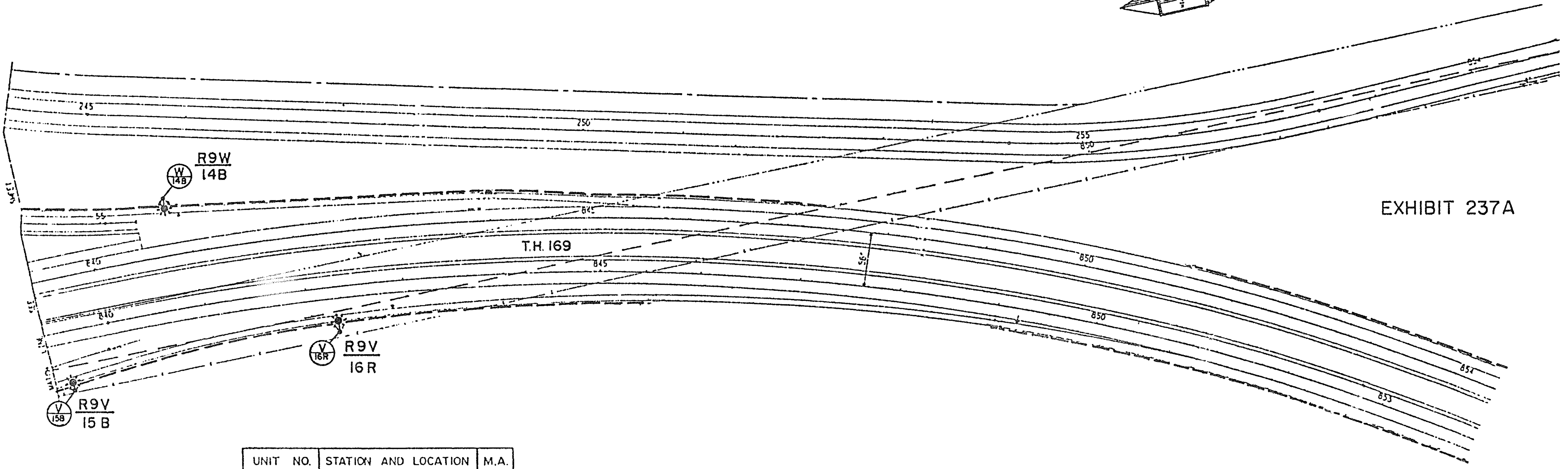
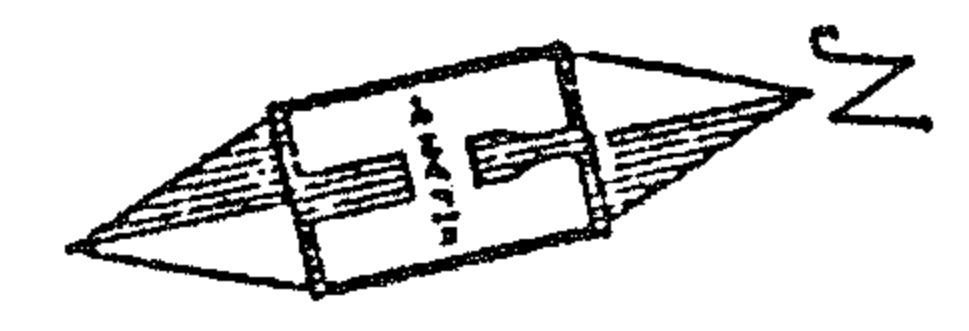
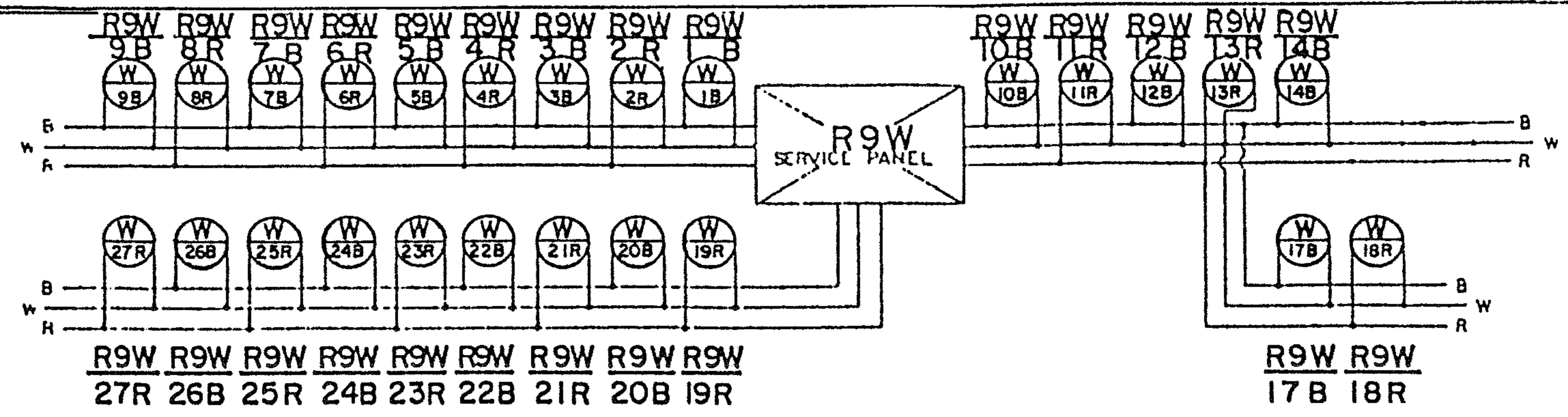


EXHIBIT 237A

	UNIT NO.	STATION AND LOCATION	M.A.
R9V	V 15B	839+54 — 61' RT	6'
	16R	842+30 — 47' RT	9'
R9W	W 14B	840+7B — 61' LT	9'

169 & 77<sup>th</sup> AVE. N. / C. R. 130-T.H.52

FD. PT. R9V  
FD. PT. R9W

S.P. NO. 27-618-39

LIGHTING PLAN