

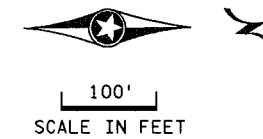
SEE LEGEND SHEET 45

MATCH TO
STA. 767+00

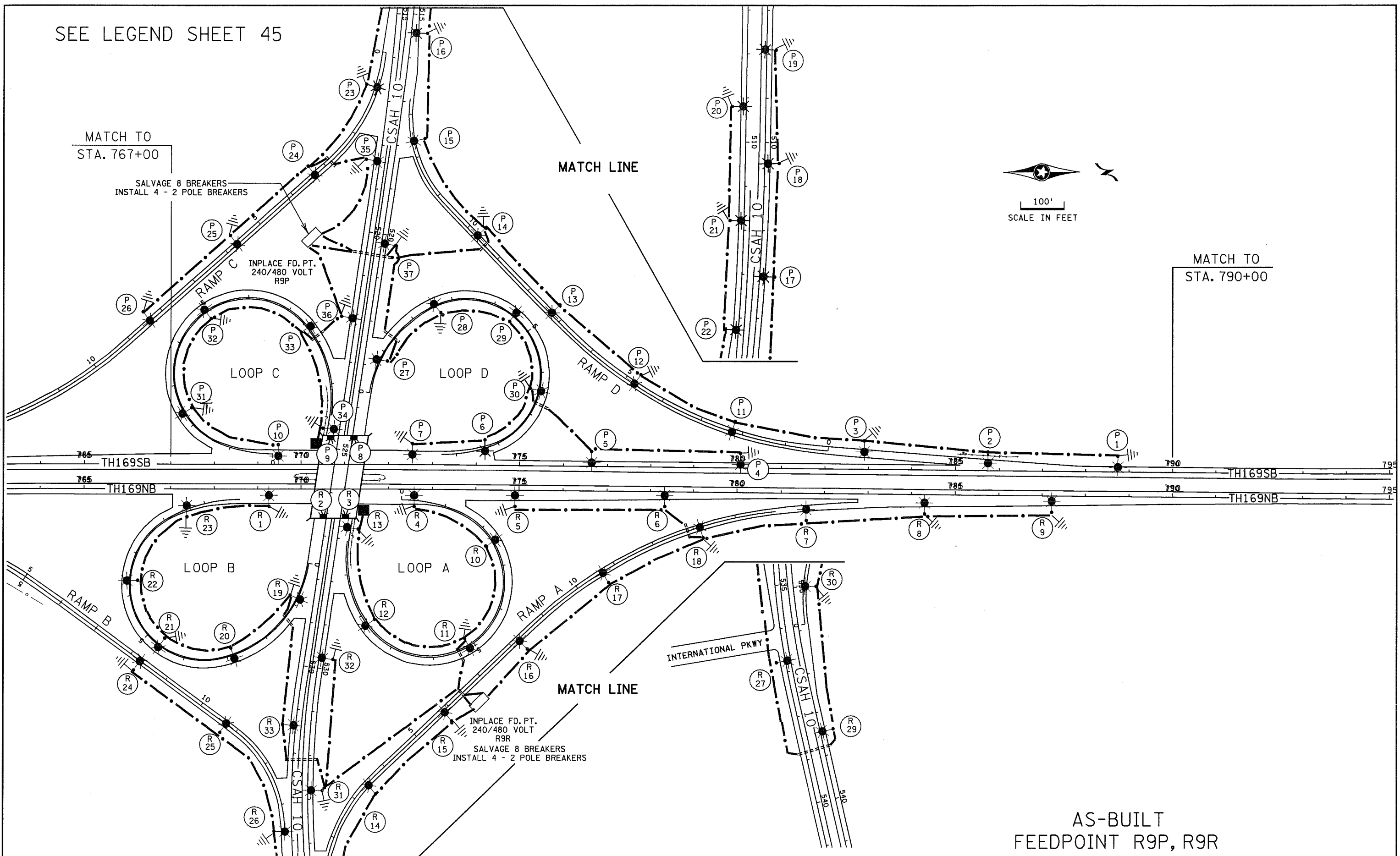
SALVAGE 8 BREAKERS
INSTALL 4 - 2 POLE BREAKERS

INPLACE FD. PT.
240/480 VOLT
R9P

MATCH LINE



MATCH TO
STA. 790+00



INPLACE FD. PT.
240/480 VOLT
R9R
SALVAGE 8 BREAKERS
INSTALL 4 - 2 POLE BREAKERS

MATCH LINE

AS-BUILT
FEEDPOINT R9P, R9R

BY	DATE	REVISIONS
EK	2/3/10	Delete R28

DRAWN BY: NS CKD BY: GB DATE:

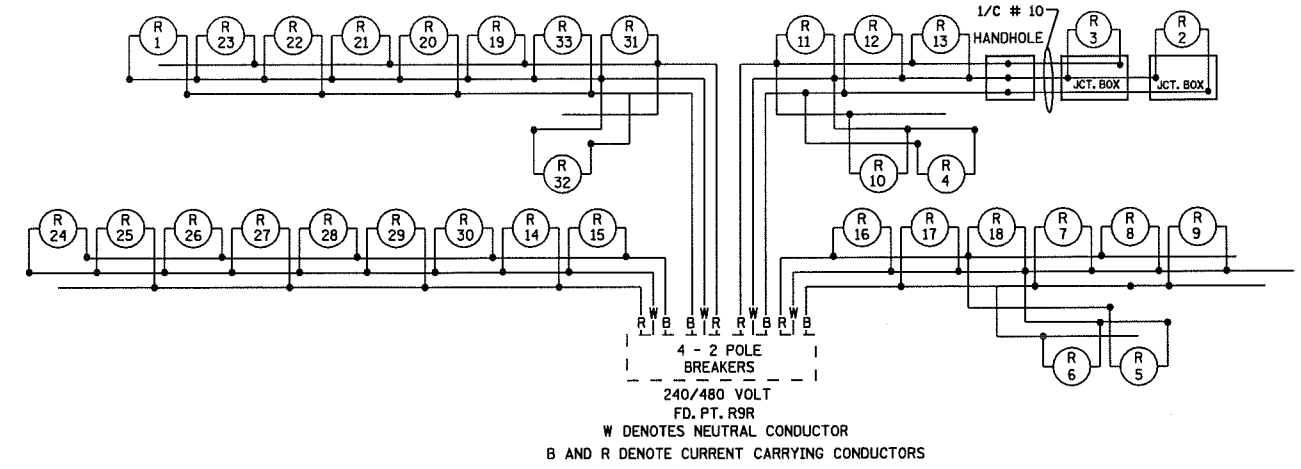
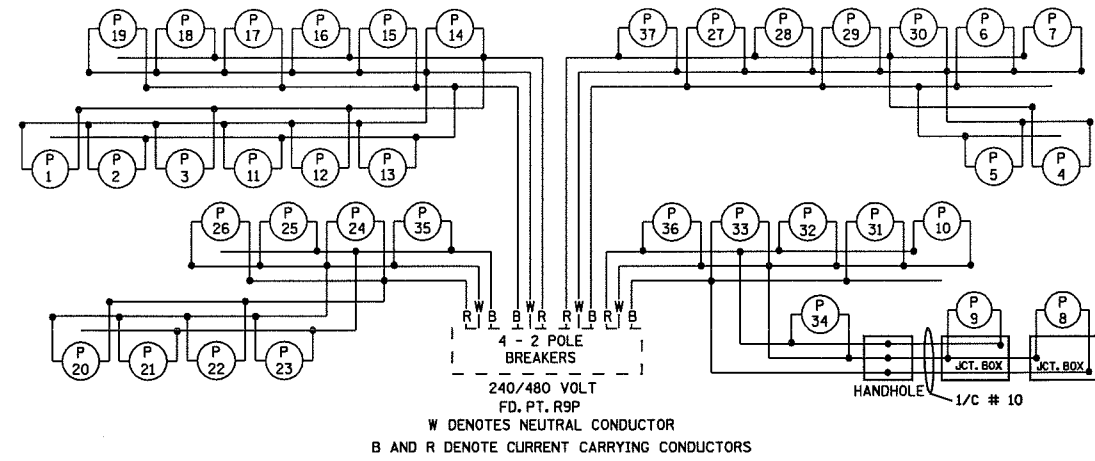
FEEDPOINT: R9P, R9R LOCATION: CSAH 10
METER ADDRESS:
CERTIFIED BY *Michael P. Labrusky* LIC. NO. 19863 DATE: 4/16/2009
LICENSED PROFESSIONAL ENGINEER

LIGHTING PLANS
STATE PROJ. NO. 2772-88 (T.H.169) SHEET NO. 71 OF 74 SHEETS

DISTRICT #: METRO
 PLOT NAME: 2ns 12772-88_0
 PATH & FILENAME: c:\Project\wise\pw_working\k\uf\er\1\dot\29680\2ns 12772-88_0\fab.dgn
 PLOTTED/REVISED: 2/3/2010

PLOTTED/REVISED: 2/3/2010

DISTRICT #: METRO
 IPLOT NAME: 2ns t2772-88_0
 PATH & FILENAME: c:\Project\wise\pw_working\k\ut\er\rd0729680\2ns t2772-88_0\l\ab\agn



FEEDPOINT R9P

LIGHTING STANDARDS AND BASES						
NO.	STA.	LT.	RT.	LOCATION	TYPE	WATTAGE
1	788+75			169SB	9-49	400
2	785+75					
3	782+95					
4	780+10					
5	776+65				9-49	400
6	774+20				9-40	250
7	772+45				9-49	400
8	771+20				L	250
9	770+65				L	250
10	769+45			169SB	9-49	400
11	2+25			RAMP D	9-40	250
12	4+75					
13	7+25					
14	9+70					
15	12+40			RAMP D		
16	515+40			CSAH 10		
17	513+05					
18	510+45					
19	507+90					
20	509+20					
21	511+80					
22	514+30			CSAH 10		
23	0+85			RAMP C		
24	3+30					
25	5+70					
26	8+35			RAMP C		
27	0+80			LOOP D		
28	2+35					
29	4+55					
30	6+40			LOOP D		
31	2+35			LOOP C		
32	4+95			LOOP C		
33	7+60			LOOP C	9-40	250
34	524+60			CSAH 10	9-49	400
35	518+40				9-40	250
36	522+00				9-40	250
37	520+20			CSAH 10	9-40	250

FEEDPOINT R9R

LIGHTING STANDARDS AND BASES						
NO.	STA.	LT.	RT.	LOCATION	TYPE	WATTAGE
1	769+25			169NB	9-49	400
2	770+50				L	250
3	771+05				L	250
4	772+60				9-49	400
5	774+90					
6	778+35					
7	781+60					
8	784+30					
9	787+20			169NB	9-49	400
10	2+40			LOOP A	9-40	250
11	5+15			LOOP A	9-40	250
12	7+75			LOOP A	9-40	250
13	526+75			CSAH 10	9-49	400
14	3+45			RAMP A	9-40	250
15	5+85					
16	8+20					
17	10+65					
18	13+15			RAMP A		
19	0+86			LOOP B		
20	2+85					
21	4+65					
22	6+35					
23	8+05			LOOP B		
24	8+30			RAMP B		
25	10+75			RAMP B		
26	533+80			CSAH 10		
27	536+75					
29	538+45					
30	535+00					
31	532+80					
32	529+75					
33	531+35			CSAH 10	9-40	250

* R28 WAS DELETED

WIRING DIAGRAMS AND STATIONING TABS FOR SHEET
 FEEDPOINTS R9P, R9R

AS-BUILT
 FEEDPOINT R9P, R9R

BY	DATE	REVISIONS	FEEDPOINT: R9P, R9R	LOCATION: 10th AVE.	LIGHTING PLANS
EK	2/3/10	Delete R28	METER ADDRESS:		
DRAWN BY: NS			CKD BY: GB	DATE:	STATE PROJ. NO. 2772-88 (T.H.169) SHEET NO. 72 OF 74 SHEETS
			CERTIFIED BY: <i>Michael P. Sulovsky</i>	LIC. NO. 19863	DATE: 4/16/2009