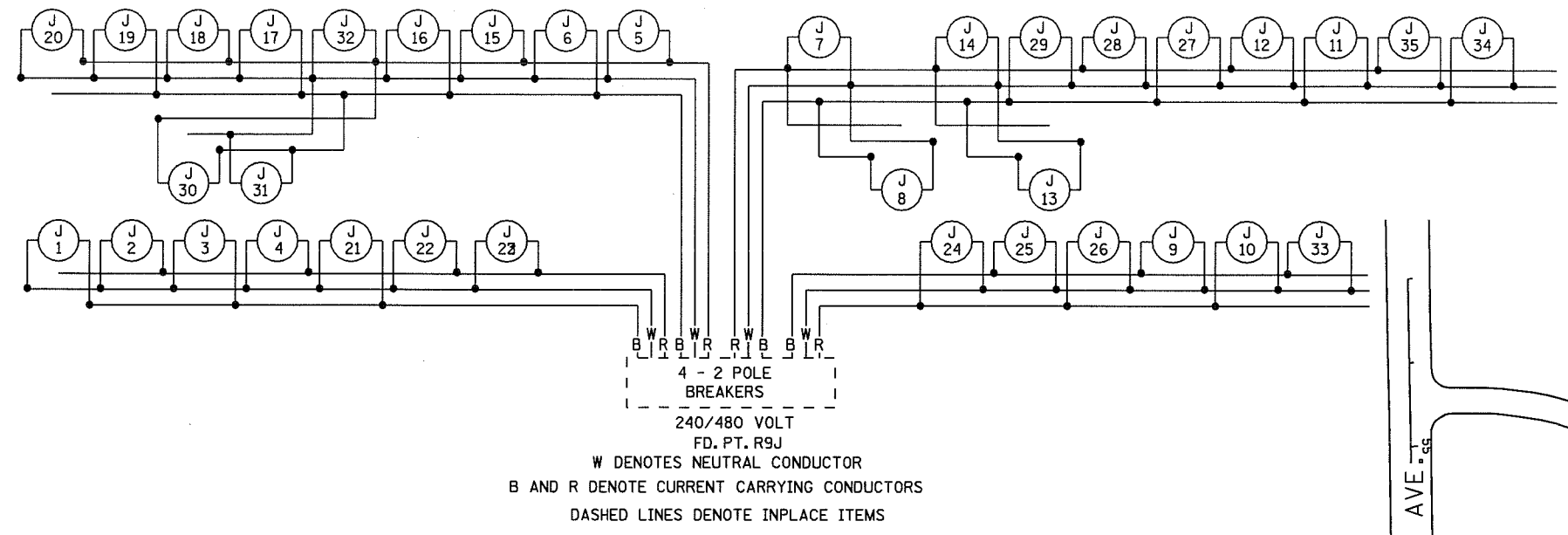
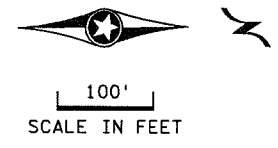


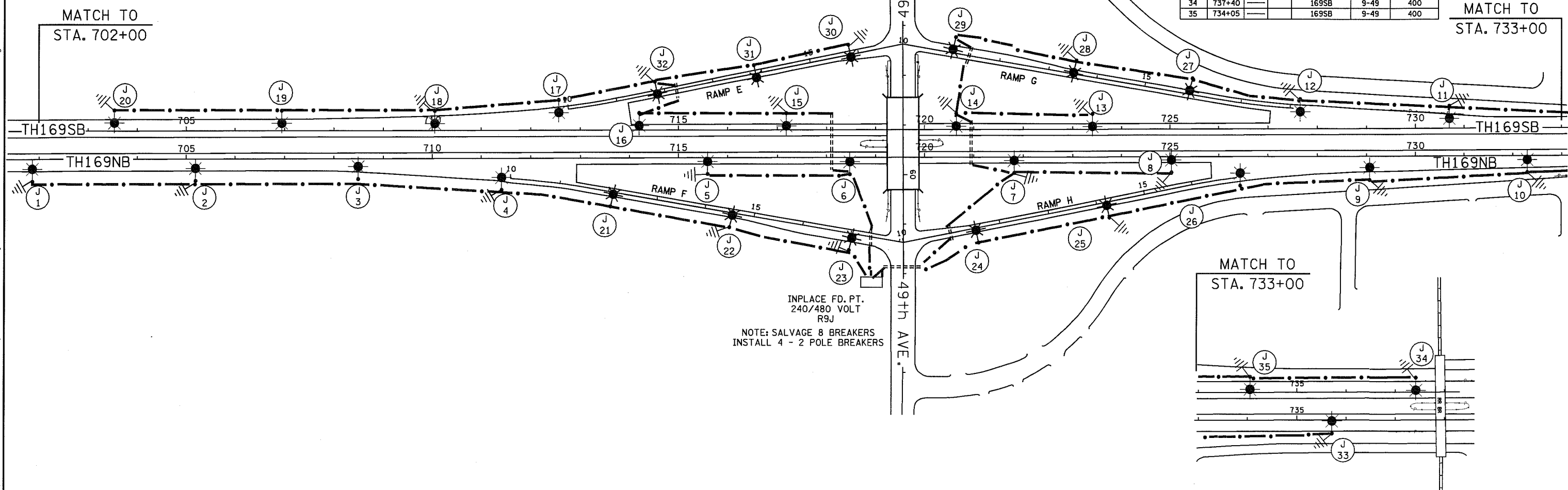
SEE LEGEND SHEET 45

FEEDPOINT R9J

LIGHTING STANDARDS AND BASES						
NO.	STA.	LT.	RT.	LOCATION	TYPE	WATTAGE
1	701+85			169NB	9-49	400
2	705+20					
3	708+50					
4	711+40					
5	715+60					
6	718+50					
7	721+80					
8	725+05					
9	729+05					
10	732+30			169NB		
11	730+70			169SB		
12	727+65					
13	723+40					
14	720+65					
15	717+20					
16	714+20					
17	712+55					
18	709+95					
19	706+90					
20	703+45			169SB	9-49	400
21	12+10			RAMP F	9-40	250
22	14+55			RAMP F		
23	17+00			RAMP F		
24	11+35			RAMP H		
25	13+80			RAMP H	9-40	250
26	726+45			169NB	9-49	400
27	15+95			RAMP G	9-40	250
28	13+50			RAMP G		
29	11+05			RAMP G		
30	15+85			RAMP E		
31	13+90			RAMP E		
32	11+85			RAMP E	9-40	250
33	735+70			169NB	9-49	400
34	737+40			169SB	9-49	400
35	734+05			169SB	9-49	400



W DENOTES NEUTRAL CONDUCTOR
B AND R DENOTE CURRENT CARRYING CONDUCTORS
DASHED LINES DENOTE INPLACE ITEMS



INPLACE FD. PT. 240/480 VOLT R9J
NOTE: SALVAGE 8 BREAKERS
INSTALL 4 - 2 POLE BREAKERS

AS-BUILT FEEDPOINT R9J

DISTRICT #: METRO
 IPLOT NAME: 2ns 12772-88_J0
 PATH & FILENAME: c:\Project\Wise\PW_Working\Kluf\Er\nd0729680\2ns 12772-88_J0.ltabdgn
 PLOTTED/REVISED: 2/3/2010

BY	DATE	REVISIONS	FEEDPOINT: R9J	LOCATION: TH169 NORTH of 49th AVE.	LIGHTING PLANS
EK	2/2/10	Move L1, L20 & L21 to J97, J98 & 99	METER ADDRESS:		
DRAWN BY: NS			CERTIFIED BY: <i>Michael P. Lebusky</i> LIC. NO. 19863 DATE: 4/21/2009		STATE PROJ. NO. 2772-88 (T.H.169)
CKD BY: GB			DATE:		SHEET NO. 69 OF 74 SHEETS