

SEE LEGEND SHEET 45

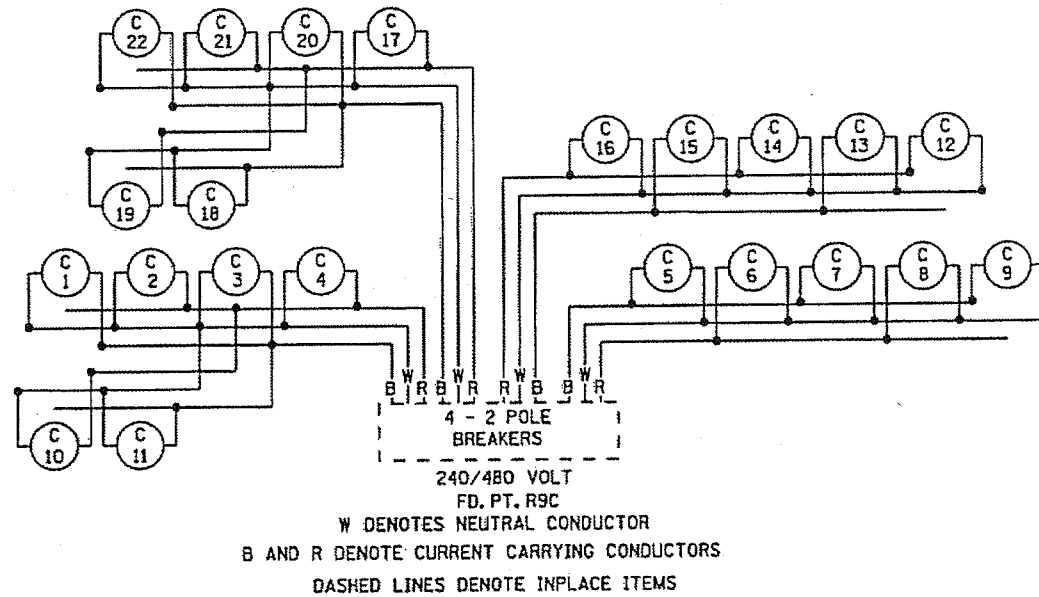
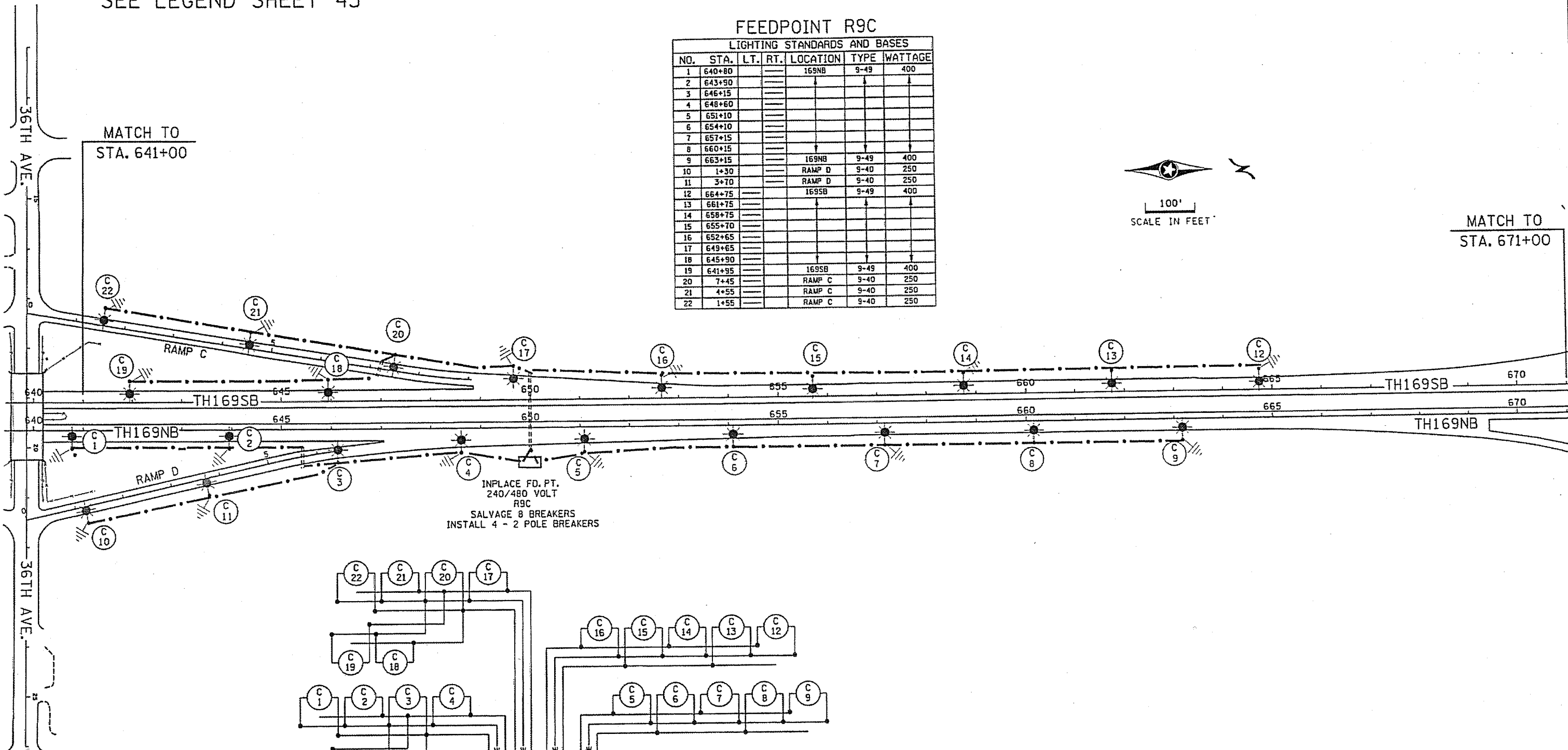
FEEDPOINT R9C

LIGHTING STANDARDS AND BASES						
NO.	STA.	LT.	RT.	LOCATION	TYPE	WATTAGE
1	640+80			169NB	9-49	400
2	643+90					
3	646+15					
4	648+60					
5	651+10					
6	654+10					
7	657+15					
8	660+15					
9	663+15			169NB	9-49	400
10	1+30			RAMP D	9-40	250
11	3+70			RAMP D	9-40	250
12	664+75			169SB	9-49	400
13	661+75					
14	658+75					
15	655+70					
16	652+65					
17	649+65					
18	645+90					
19	641+95			169SB	9-49	400
20	7+45			RAMP C	9-40	250
21	4+55			RAMP C	9-40	250
22	1+55			RAMP C	9-40	250



MATCH TO
STA. 641+00

MATCH TO
STA. 671+00



FEEDPOINT R9C

LIGHTING PLANS

BY	DATE	REVISIONS

FEEDPOINT: R9C LOCATION: TH169 NORTH of 36th ST.
 METER ADDRESS:
 CERTIFIED BY *Michael P. Gubinsky* LIC. NO. 19863 DATE: 4/16/2009

STATE PROJ. NO. 2772-88 (T.H.169) SHEET NO. 66 OF 74 SHEETS

DISTRICT #: METRO
 PLOT NAME: 12772-88.r9c
 PATH & FILENAME: S:\TRAFFIC\LIGHTING\Plans\69\2772\12772-88.r9c_1011.dgn
 PLOTTED/REVISED: 4/16/2009