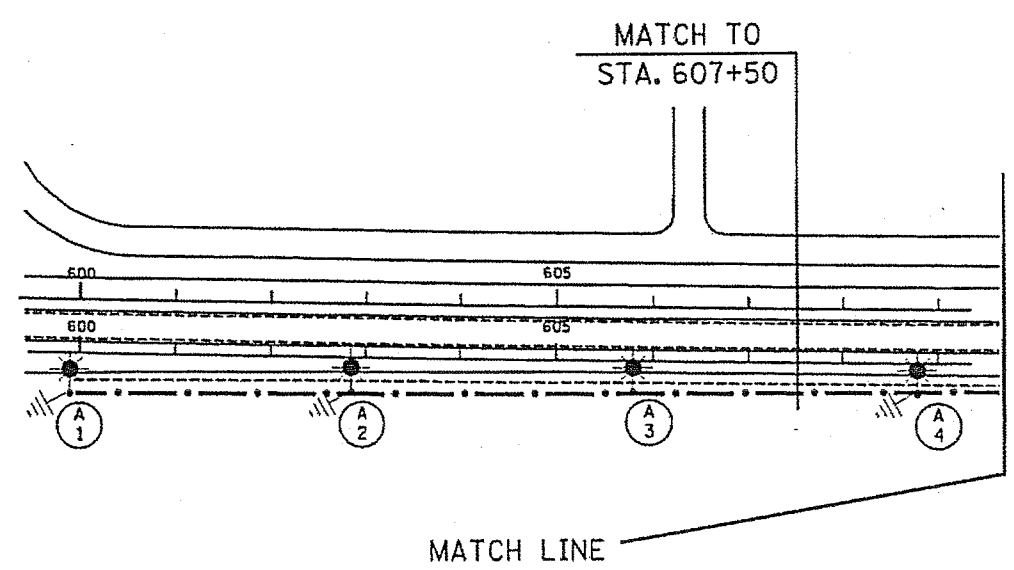
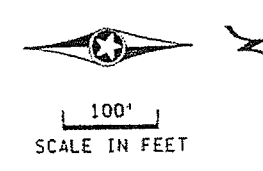


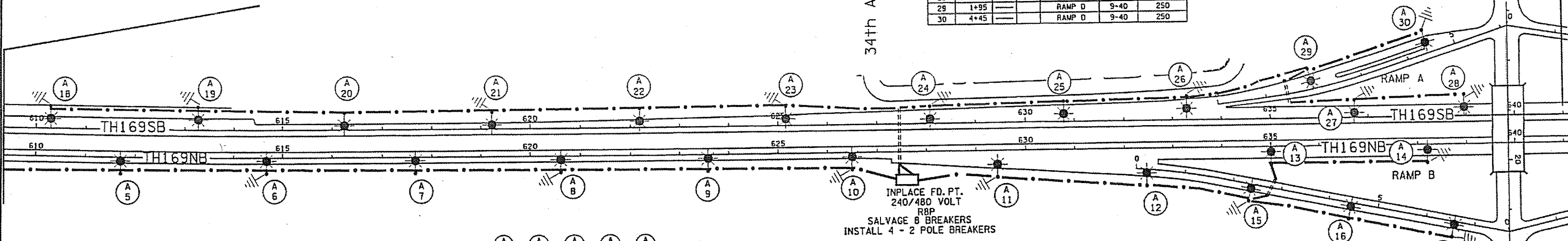
SEE LEGEND SHEET 45

FEEDPOINT R9A

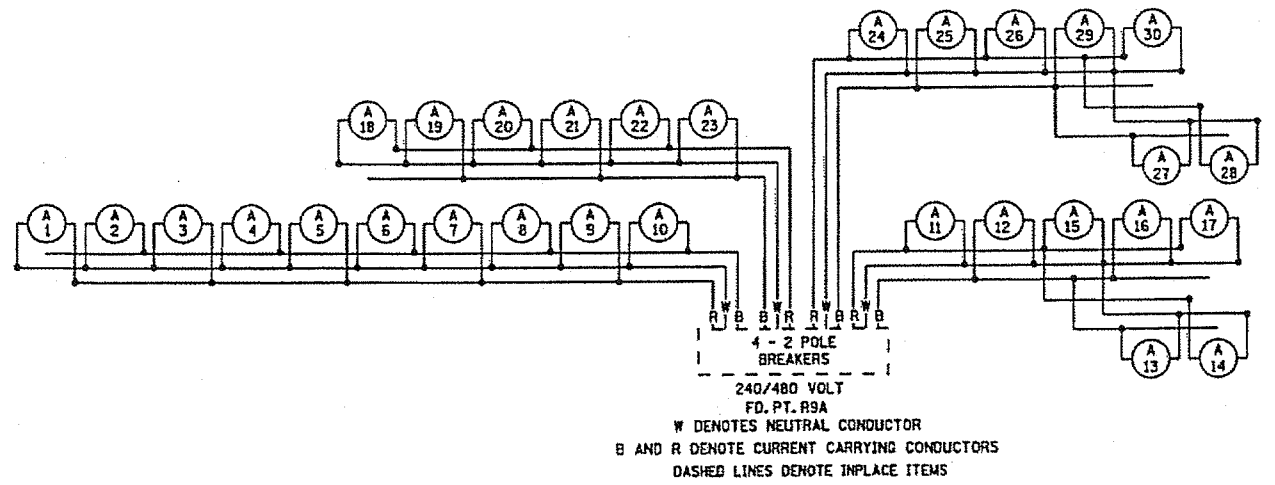
LIGHTING STANDARDS AND BASES					
NO.	STA.	LT.	RT.	LOCATION	WATTAGE
1	599+90			169NB	400
2	602+85				
3	605+80				
4	608+90				
5	611+70				
6	614+70				
7	617+65				
8	620+60				
9	623+60				
10	626+50				
11	629+45				
12	632+65				
13	634+95				
14	638+20			169NB	400
15	2+35			RAMP B	250
16	4+45			RAMP B	250
17	6+55			RAMP B	250
18	610+30			169SB	400
19	613+25				
20	616+25				
21	619+25				
22	622+20				
23	625+15				
24	628+10				
25	630+75				
26	633+30				
27	636+70				
28	638+95			169SB	400
29	1+95			RAMP D	250
30	4+45			RAMP D	250



MATCH TO STA. 641+00



INPLACE FD. PT.
240/480 VOLT
RBP
SALVAGE 8 BREAKERS
INSTALL 4 - 2 POLE BREAKERS



W DENOTES NEUTRAL CONDUCTOR
B AND R DENOTE CURRENT CARRYING CONDUCTORS
DASHED LINES DENOTE INPLACE ITEMS

FEEDPOINT R9A

DISTRICT #: METRO
 PLOT NAME: 12772-88_190
 PATH & FILENAME: S:\TRAFFIC\LIGHTING\Plans\69\2772-88\12772-88_190.dgn
 PLOTTED/REVISED: 4/16/2009

BY	DATE	REVISIONS	FEEDPOINT: R9A	LOCATION: TH169 SOUTH of 36th AVE.	LIGHTING PLANS
			METER ADDRESS:		
			CERTIFIED BY: <i>Michael P. Selovsky</i>	LIC. NO. 19863	DATE: 4/16/2009
					STATE PROJ. NO. 2772-88 (T.H.169) SHEET NO. 65 OF 74 SHEETS