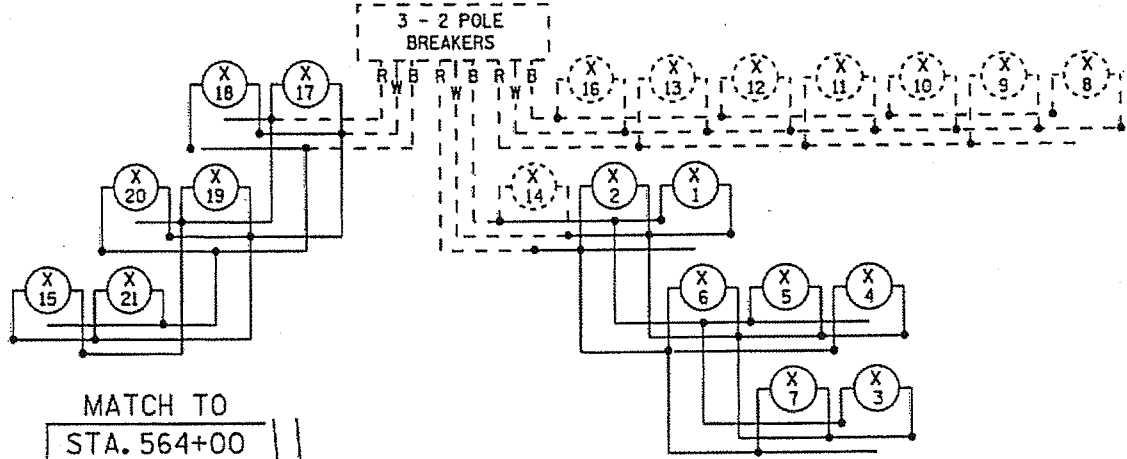


SEE LEGEND SHEET 45

DASHED LINES DENOTE INPLACE ITEMS
 B AND R DENOTE CURRENT CARRYING CONDUCTORS
 W DENOTES NEUTRAL CONDUCTOR

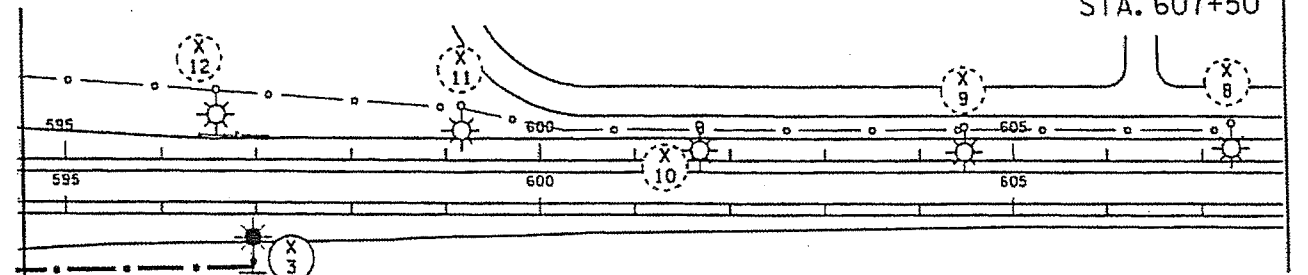
FD. PT. R8X
 240/480 VOLT
 3 - 2 POLE
 BREAKERS



FEEDPOINT R8X

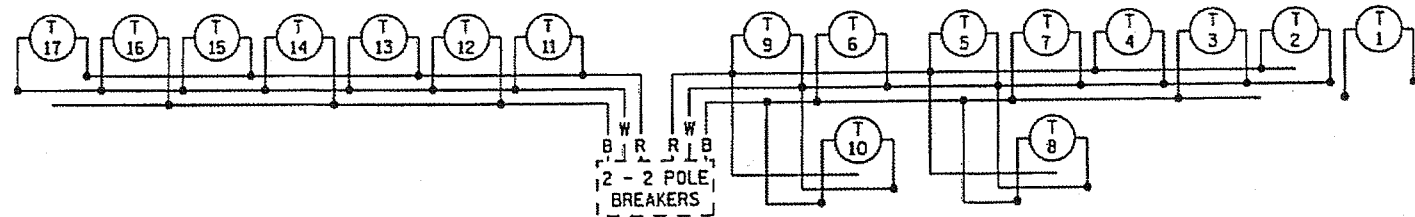
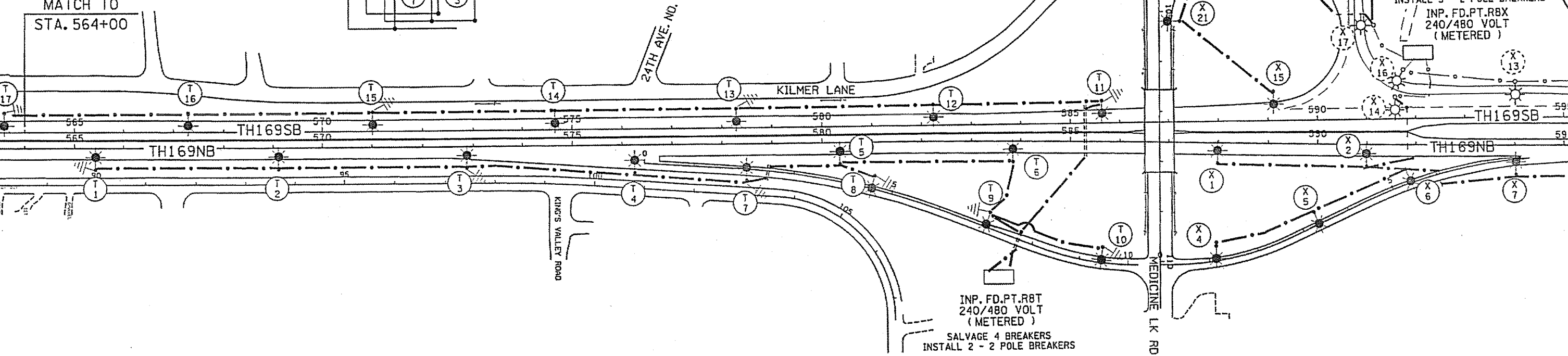
LIGHTING STANDARDS AND BASES						
NO.	STA.	LT.	RT.	LOCATION	TYPE	WATTAGE
1	588+10			169NB	9-49	400
2	591+10			169NB	9-49	400
3	597+00			169NB	9-49	400
4	1+20			SERAMP	9-40	250
5	3+35				9-40	250
6	5+40				9-40	250
7	7+55			SERAMP	9-49	400
8-14				INPLACE		
15	589+10			169SB		400
16-17				INPLACE		
18	14+50			KILMER LN	9-40	250
19	12+40			KILMER LN		
20	10+50			KILMER LN		
21	105+20			MEDICINE LK	9-40	250

① LIGHTS REPLACED UNDER SP 2772-81



MATCH LINE

MATCH TO
 STA. 564+00



240/480 VOLT
 FD. PT. R8T

W DENOTES NEUTRAL CONDUCTOR
 B AND R DENOTE CURRENT CARRYING CONDUCTORS
 DASHED LINES DENOTE INPLACE ITEMS

FEEDPOINT R8T

LIGHTING STANDARDS AND BASES						
NO.	STA.	LT.	RT.	LOCATION	TYPE	WATTAGE
1	565+45			169NB	9-49	400
2	569+10					
3	572+85					
4	576+25					
5	580+35					
6	583+85			169NB	9-49	400
7	2+10			SERAMP	9-40	250
8	4+60					
9	7+00					
10	9+45			SERAMP	9-40	250

FEEDPOINT R8T

LIGHTING STANDARDS AND BASES						
NO.	STA.	LT.	RT.	LOCATION	TYPE	WATTAGE
11	585+65			169NB	9-49	400
12	582+25					
13	578+30					
14	574+65					
15	571+00					
16	567+30					
17	563+55			169NB	9-49	400

FEEDPOINT R8T, R8X

LIGHTING PLANS

BY	DATE	REVISIONS

FEEDPOINT: R8T - R8X LOCATION: TH169 AT CSAH 70/MEDICINE LK RD

METER ADDRESS:

CERTIFIED BY *Michael P. Libinsky* LIC. NO. 19863 DATE: 4/16/2009

STATE PROJ. NO. 2772-88 (T.H.169) SHEET NO. 64 OF 74 SHEETS

PLOTTED/REVISED: 4/16/2009

DISTRICT #: METRO
 PLOT NAME: 12772-88-R8X
 PATH & FILENAME: S:\TRAFFIC\LIGHTING\Plots\12772-88-2ns 12772-88-R8X.dgn