

SEE LEGEND SHEET 45

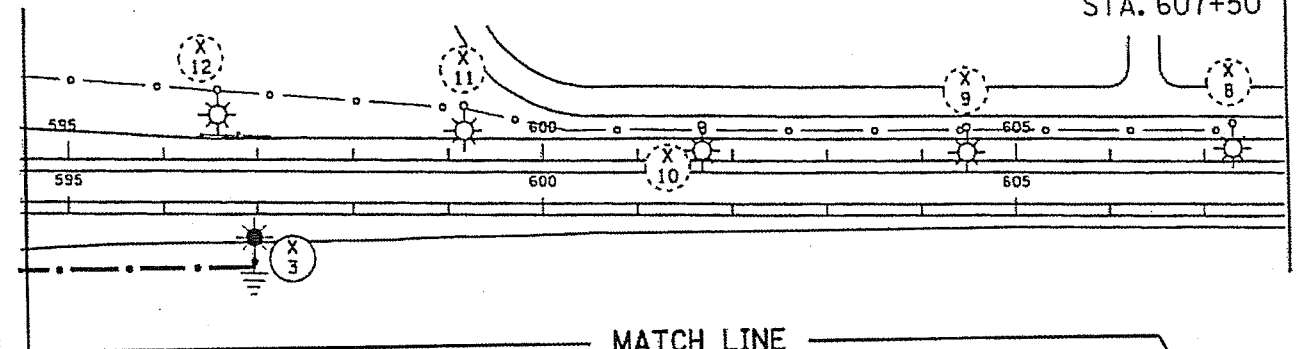
DASHED LINES DENOTE INPLACE ITEMS
 B AND R DENOTE CURRENT CARRYING CONDUCTORS
 W DENOTES NEUTRAL CONDUCTOR

FD. PT. R8X
 240/480 VOLT
 3 - 2 POLE
 BREAKERS

FEEDPOINT R8X

LIGHTING STANDARDS AND BASES					
NO.	STA.	LT.	RT.	LOCATION	TYPE WATTAGE
1	588+10			169NB	9-49 400
2	591+10			169NB	9-49 400
3	597+00			169NB	9-49 400
4	1+20			NERAMP	9-40 250
5	3+35				9-40 250
6	5+40				9-40 250
7	7+55			NERAMP	9-49 400
8-14				INPLACE	
15	589+10			169SB	400
16-17				INPLACE	
18	14+50			KILMER LN	9-40 250
19	12+40			KILMER LN	
20	10+50			KILMER LN	
21	105+20			MEDICINE LK	9-40 250

① LIGHTS REPLACED UNDER SP 2772-81



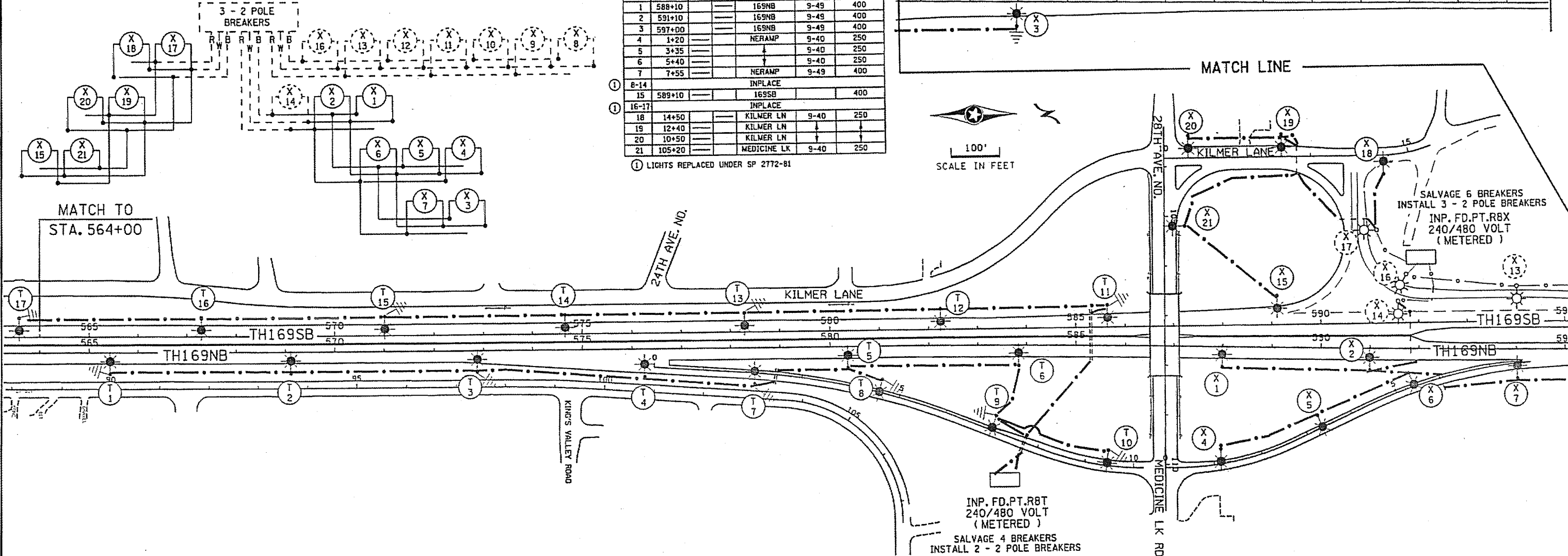
MATCH TO
 STA. 607+50

MATCH LINE



MATCH TO
 STA. 564+00

SALVAGE 6 BREAKERS
 INSTALL 3 - 2 POLE BREAKERS
 INP. FD.PT.R8X
 240/480 VOLT
 (METERED)



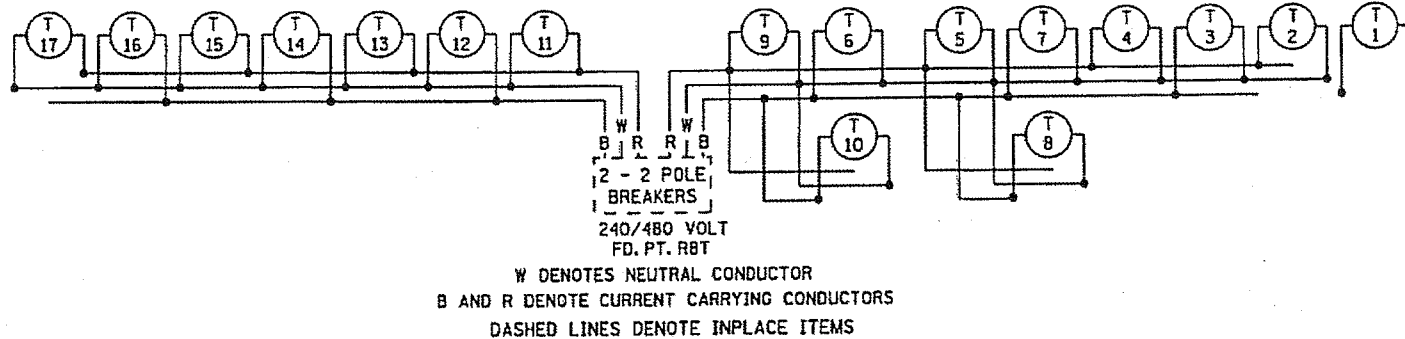
INP. FD.PT.R8T
 240/480 VOLT
 (METERED)
 SALVAGE 4 BREAKERS
 INSTALL 2 - 2 POLE BREAKERS

FEEDPOINT R8T

LIGHTING STANDARDS AND BASES					
NO.	STA.	LT.	RT.	LOCATION	TYPE WATTAGE
1	565+45			169NB	9-49 400
2	569+10				
3	572+85				
4	576+25				
5	580+35				
6	583+85			169NB	9-49 400
7	2+10			SERAMP	9-40 250
8	4+60				
9	7+00				
10	9+45			SERAMP	9-40 250

FEEDPOINT R8T

LIGHTING STANDARDS AND BASES					
NO.	STA.	LT.	RT.	LOCATION	TYPE WATTAGE
11	585+65			169NB	9-49 400
12	582+25				
13	578+30				
14	574+65				
15	571+00				
16	567+30				
17	563+55			169NB	9-49 400



W DENOTES NEUTRAL CONDUCTOR
 B AND R DENOTE CURRENT CARRYING CONDUCTORS
 DASHED LINES DENOTE INPLACE ITEMS

2 - 2 POLE
 BREAKERS
 240/480 VOLT
 FD. PT. R8T

FEEDPOINT R8T, R8X

LIGHTING PLANS

BY	DATE	REVISIONS

FEEDPOINT: R8T - R8X LOCATION: TH169 AT CSAH 70/MEDICINE LK RD

METER ADDRESS:

CERTIFIED BY *Michael P. Salsbery* LIC. NO. 19863 DATE: 4/16/2009

STATE PROJ. NO. 2772-88 (T.H.169) SHEET NO. 64 OF 74 SHEETS

PLOTTED/REVISED: 4/16/2009

DISTRICT: METRO
 PLOT NAME: 12772-88-J81-X
 PATH & FILENAME: S:\TRAFFIC\LIGHTING\Plans\659\2772\12772-88-2\12772-88-2.dgn