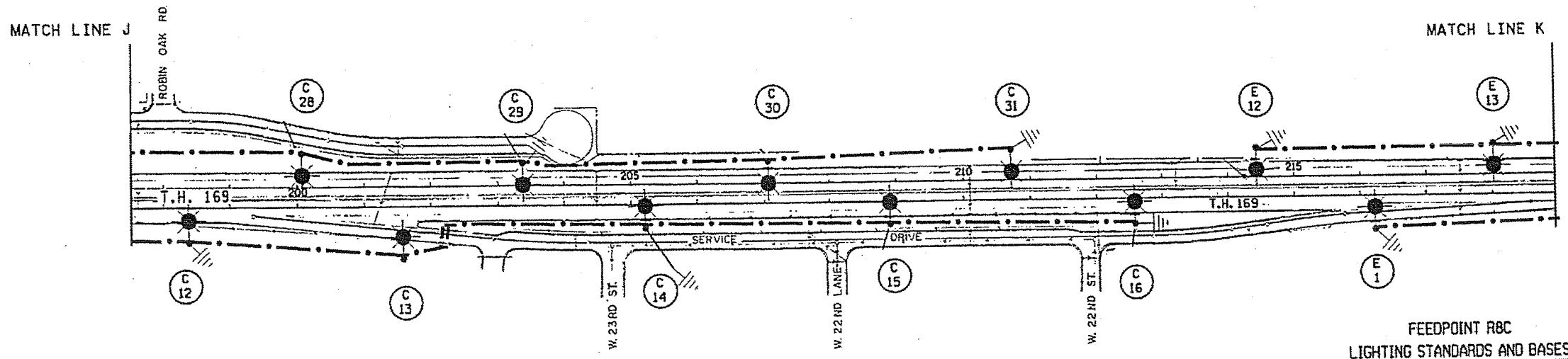


SEE SHEET 45 FOR LEGEND



FEEDPOINT R8C
LIGHTING STANDARDS AND BASES

| NO. | STATION | LT. | RT. | LOCATION | TYPE |
|-----|----------|-----|-----|----------|------|
| 12 | 198 + 39 | | X | N.B. 169 | 9-49 |
| 13 | 201 + 50 | | X | N.B. 169 | 9-49 |
| 14 | 205 + 25 | | X | N.B. 169 | 9-49 |
| 15 | 208 + 90 | | X | N.B. 169 | 9-49 |
| 16 | 212 + 58 | | X | N.B. 169 | 9-49 |
| 28 | 200 + 06 | X | | S.B. 169 | 9-49 |
| 29 | 203 + 38 | X | | S.B. 169 | 9-49 |
| 30 | 207 + 06 | X | | S.B. 169 | 9-49 |
| 31 | 210 + 76 | X | | S.B. 169 | 9-49 |

FEEDPOINT R8E
LIGHTING STANDARDS AND BASES

| NO. | STATION | LT. | RT. | LOCATION | TYPE |
|-----|----------|-----|-----|----------|------|
| 1 | 216 + 24 | | X | N.B. 169 | 9-49 |
| 12 | 214 + 50 | X | | S.B. 169 | 9-49 |
| 13 | 218 + 04 | X | | S.B. 169 | 9-49 |

FEEDPOINTS R8C & R8E

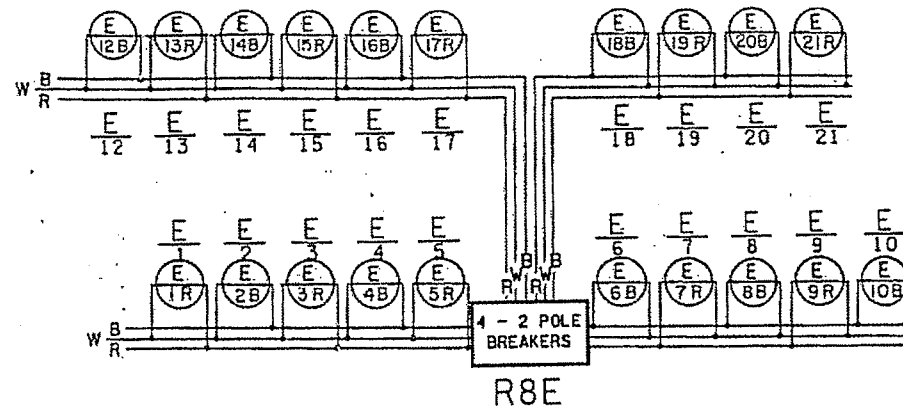
LIGHTING PLAN

| BY | DATE | REVISIONS |
|----|------|-----------|
| | | |
| | | |

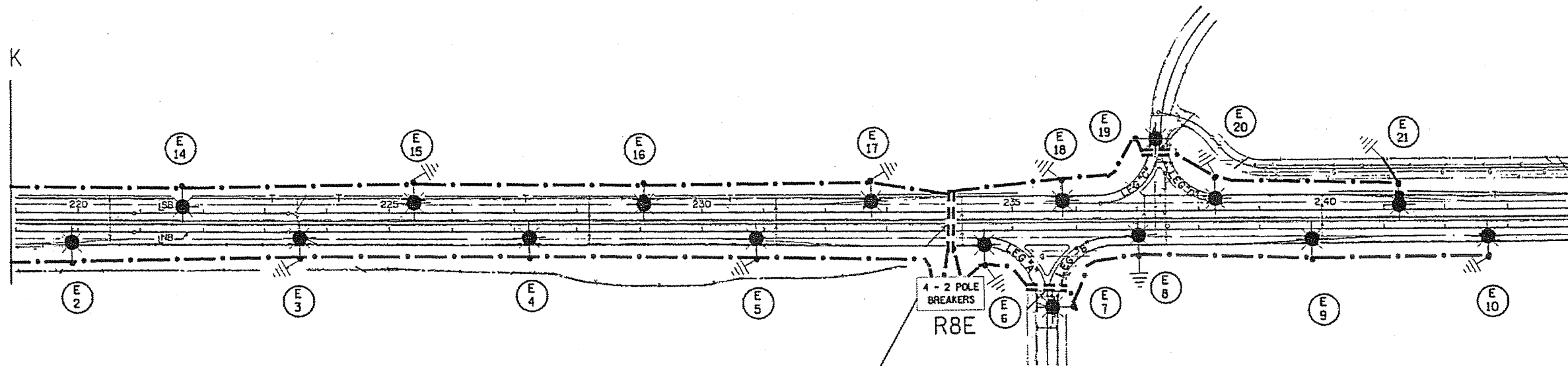
FEEDPOINT: R8C,R8E LOCATION: TH 169 AT N. OF CEDAR LAKE RD.
METER ADDRESS:
CERTIFIED BY *Michael P. Gubensky* LIC. NO. 19863 DATE: 4/17/2009

DISTRICT 4 METRO
 PLOT NAME: 1272-88P059
 PATH & FILENAME: S:\TRAFFIC\LIGHTING\Plans\69\2772\2772-88V2772-88b.dgn
 PLOTTED/REVISED: 4/17/2009

SEE SHEET 45 FOR LEGEND



MATCH LINE K



FEEDPOINT R8E
LIGHTING STANDARDS AND BASES

| NO. | STATION | LT. | RT. | LOCATION | TYPE |
|-----|----------|-----|-----|----------|------|
| 2 | 219 + 90 | | X | N.B. 169 | 9-49 |
| 3 | 223 + 56 | | X | N.B. 169 | 9-49 |
| 4 | 227 + 22 | | X | N.B. 169 | 9-49 |
| 5 | 230 + 89 | | X | N.B. 169 | 9-49 |
| 6 | 234 + 56 | | X | N.B. 169 | 9-49 |
| 7 | 1 + 64 | X | | LEG B | 9-49 |
| 8 | 237 + 00 | | X | N.B. 169 | 9-49 |
| 9 | 239 + 86 | | X | N.B. 169 | 9-49 |
| 10 | 242 + 70 | | X | N.B. 169 | 9-49 |
| 14 | 221 + 72 | X | | S.B. 169 | 9-49 |
| 15 | 225 + 38 | X | | S.B. 169 | 9-49 |
| 16 | 229 + 05 | X | | S.B. 169 | 9-49 |
| 17 | 232 + 74 | X | | S.B. 169 | 9-49 |
| 18 | 235 + 80 | X | | S.B. 169 | 9-49 |
| 19 | 1 + 62 | X | | LEG C | 9-49 |
| 20 | 238 + 25 | X | | S.B. 169 | 9-49 |
| 21 | 241 + 26 | X | | S.B. 169 | 9-49 |

INPLACE FD. PT. R8E
PAD MOUNTED SERVICE CABINET
240/480 VOLT SECONDARY TYPE L1

SALVAGE INPLACE BREAKERS

F & I 4 - 2 POLE BREAKERS

FEEDPOINTS R8E

LIGHTING PLAN

| BY | DATE | REVISIONS |
|----|------|-----------|
| | | |
| | | |

FEEDPOINT: R8E LOCATION: TH 169 AT 16th ST. W.
METER ADDRESS:

CERTIFIED BY *Michael P. Gubinsky* LIC. NO. 19863 DATE: 4/17/2009

STATE PROJ. NO. 2772-88 (T.H. 169)

SHEET NO. 60 OF 74 SHEETS

DISTRICT #: METRO
 PLOT NAME: 12772-88P660
 PATH & FILENAME: S:\TRAFFIC\LIGHTING\P10ms\69\2772\2772-88V2772-88.dwg

PLOTTED/REVISED: 4/17/2009