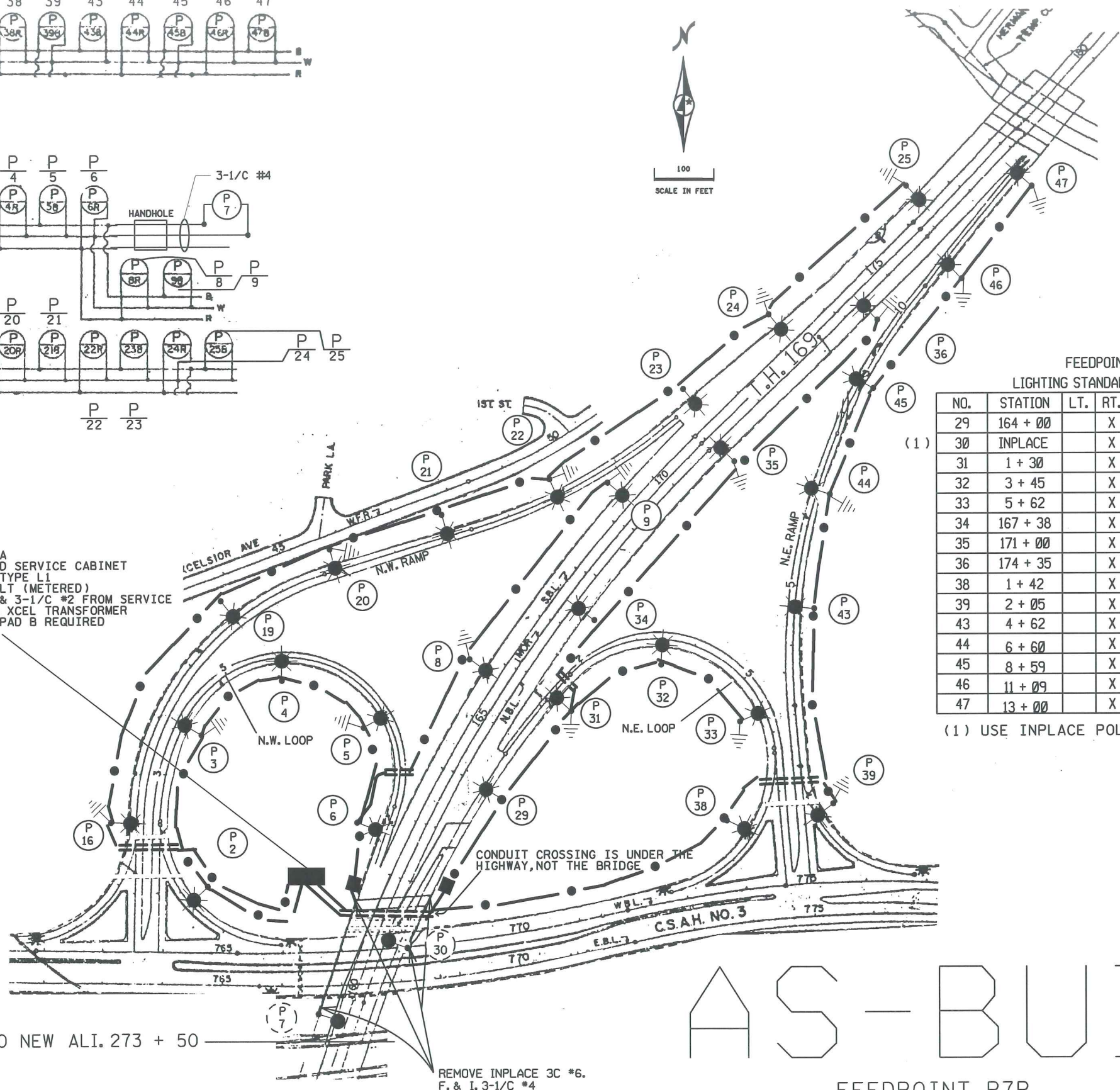
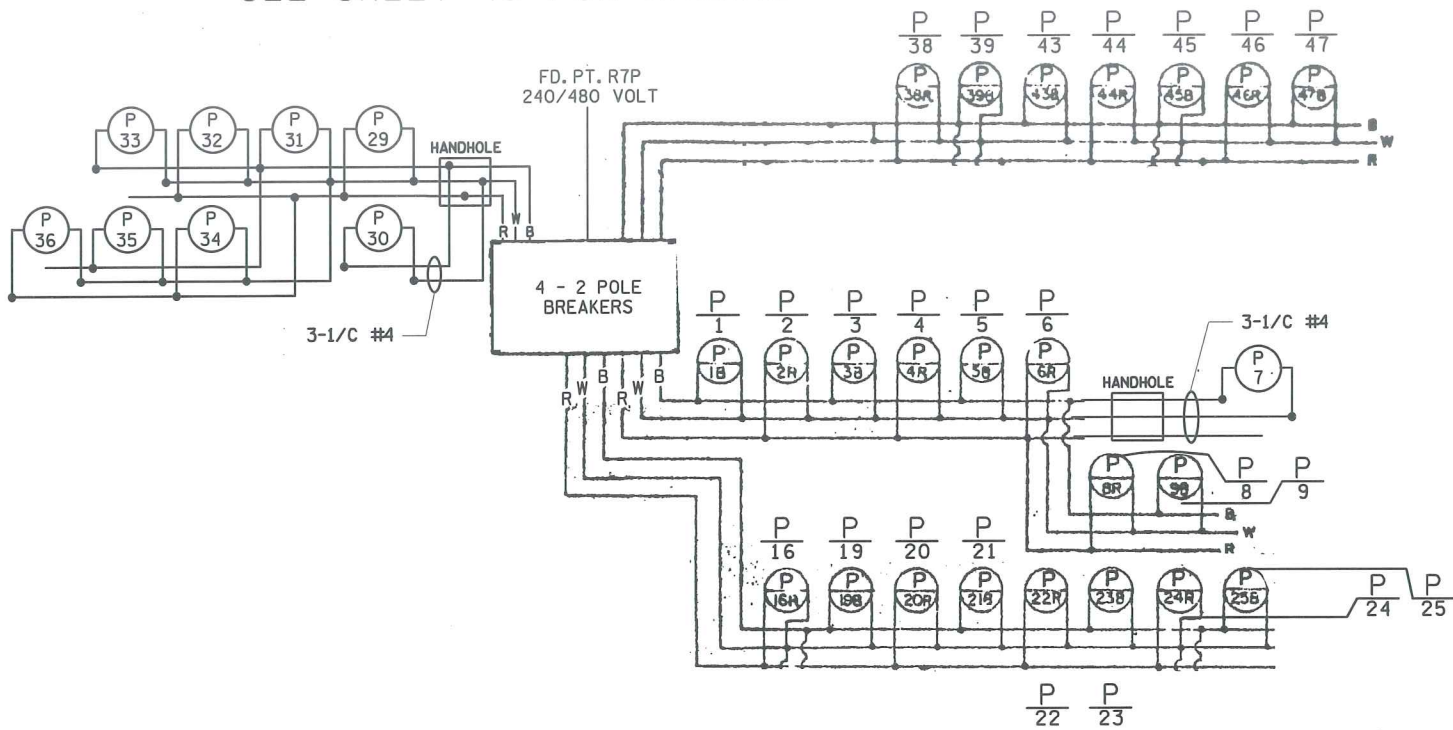


SEE SHEET 45 FOR LEGEND

PLOTTED/REVISED: 3/18/2014



FEEDPOINT R7P
LIGHTING STANDARDS AND BASES

NO.	STATION	LT.	RT.	LOCATION	TYPE
2	1 + 75		X	N.W. LOOP	9-40
3	3 + 91		X	N.W. LOOP	9-40
4	6 + 00		X	N.W. LOOP	9-40
5	8 + 10		X	N.W. LOOP	9-40
6	10 + 14		X	N.W. LOOP	9-50
7	159 + 41	X		S.B. 169	BM
8	165 + 75	X		S.B. 169	9-50
9	169 + 41	X		S.B. 169	9-50
16	2 + 17	X		N.W. RAMP	9-40
19	6 + 05	X		N.W. RAMP	9-40
20	8 + 00	X		N.W. RAMP	9-40
21	9 + 95	X		N.W. RAMP	9-40
22	11 + 95	X		N.W. RAMP	9-40
23	171 + 37	X		S.B. 169	9-50
24	173 + 31	X		S.B. 169	9-50
25	176 + 40	X		S.B. 169	9-50

(1) USE INPLACE POLE - REPLACE LUMINAIRE

FEEDPOINT R7P
LIGHTING STANDARDS AND BASES

NO.	STATION	LT.	RT.	LOCATION	TYPE
29	164 + 00		X	N.B. 169	9-49
30	INPLACE		X	N.B. 169	6B-49
31	1 + 30		X	N.E. LOOP	9-40
32	3 + 45		X	N.E. LOOP	9-40
33	5 + 62		X	N.E. LOOP	9-40
34	167 + 38		X	N.B. 169	9-49
35	171 + 00		X	N.B. 169	9-49
36	174 + 35		X	N.B. 169	9-49
38	1 + 42		X	N.E. LOOP	9-40
39	2 + 05		X	N.E. RAMP	9-40
43	4 + 62		X	N.E. RAMP	9-40
44	6 + 60		X	N.E. RAMP	9-40
45	8 + 59		X	N.E. RAMP	9-40
46	11 + 09		X	N.E. RAMP	9-49
47	13 + 00		X	N.E. RAMP	9-49

(1) USE INPLACE POLE - REPLACE LUMINAIRE

MATCH TO NEW ALI. 273 + 50

AS-BUILT

FEEDPOINT R7P

BY DATE	REVISIONS	FEEDPOINT: R7P	LOCATION: TH 169 AT CSAH 3-EXCELSIOR BLVD	LIGHTING PLAN	
EK 03/2014	DELETE P1, P17, P37 & P40	METER ADDRESS:			
DRAWN BY: PB	CKD BY: GB	DATE: 3/18/2014	CERTIFIED BY: <i>Michael P. Gubinsky</i>	LIC. NO. 19863	DATE: 3/18/2014
			STATE PROJ. NO. 2772-88 (T.H. 169)		SHEET NO. 52 OF 74 SHEETS

DISTRICT #: METRO
PLOT NAME: 12772-88b
PATH & FILENAME: IP_PWP-d0801872V12772-88bdgn