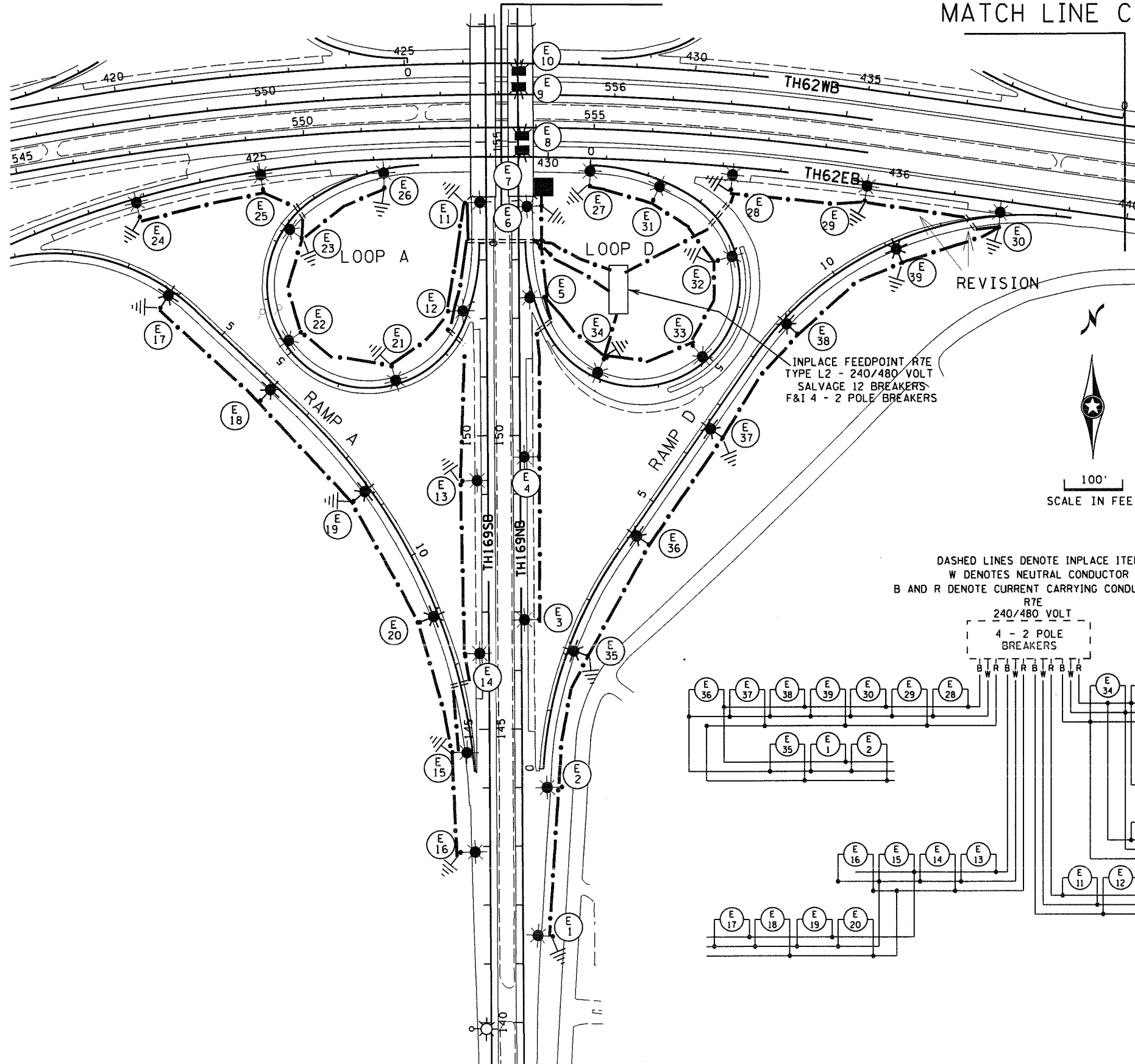


SEE LEGEND SHEET 11

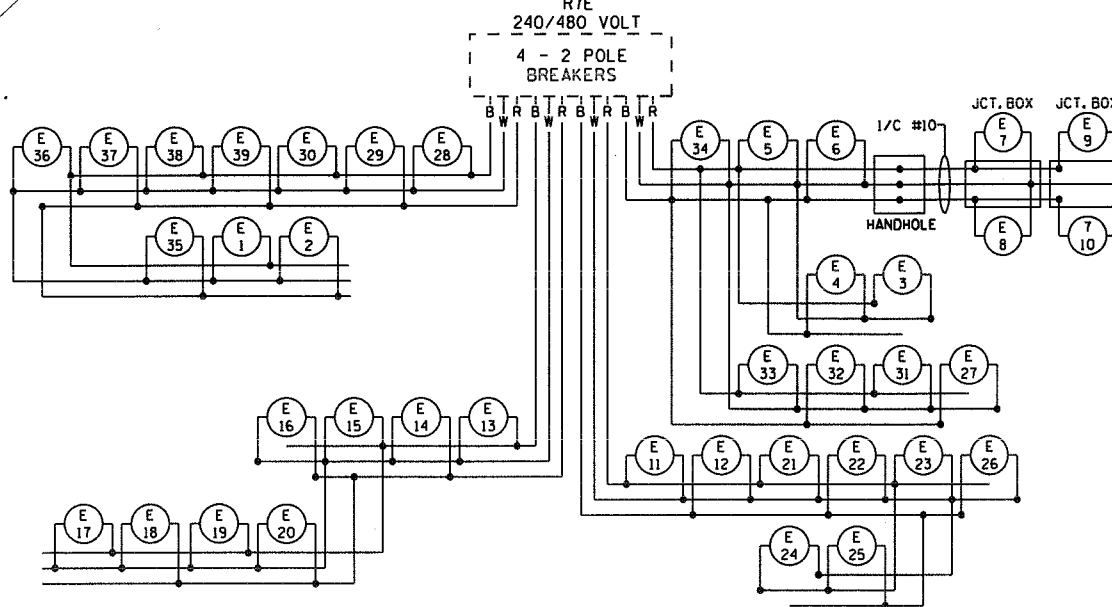
MATCH LINE B

MATCH LINE C



INPLACE FEEDPOINT RTE  
TYPE L2 - 240/480 VOLT  
SALVAGE 12 BREAKERS  
F&I 4 - 2 POLE BREAKERS

DASHED LINES DENOTE INPLACE ITEMS  
W DENOTES NEUTRAL CONDUCTOR  
B AND R DENOTE CURRENT CARRYING CONDUCTORS



FEEDPOINT R7E

LIGHTING STANDARDS AND BASES						
NO.	STA.	LT.	RT.	LOCATION	TYPE	WATTAGE
1	141+45			TH169NB	9-49	400
2	144+00					
3	146+85					
4	149+65					
5	152+35					
6	153+90				9-49	400
7	154+90				L	250
8	155+00					
9	156+00					
10	156+10			TH169NB	L	250
11	154+00			TH169SB	9-49	400
12	152+15					
13	149+25					
14	146+30					
15	144+60					
16	142+90			TH169SB	9-49	400
17	3+95			RAMP A	9-40	250
18	6+25					
19	8+65					
20	11+10			RAMP A		
21	3+00			LOOP A		
22	5+15			LOOP A		
23	7+25			LOOP A		
24	422+85			TH62EB	9-40	250
25	425+05				9-49	400
26	427+15					
27	430+75					
28	433+15					
29	435+50					
30	437+80			TH62EB	9-49	400
31	1+25			LOOP D	9-40	250
32	3+10					
33	5+10					
34	7+10			LOOP D		
35	2+10			RAMP D		
36	4+35					
37	6+60					
38	8+65					
39	11+15			RAMP D	9-40	250

AS-BUILT 5/2010

FEEDPOINT R7E

LIGHTING PLANS

BY	DATE	REVISIONS
EK	4/2/10	MOVE BORE FROM E28-E38 TO E29-E30. CHANGE WIRE DIA.
DRAWN BY:	NS	CKD BY: GB DATE:

FEEDPOINT: R7E LOCATION: TH62 at TH169  
 METER ADDRESS: 7000 Highway 62, Edina  
 CERTIFIED BY: *Michael P. Galinsky* LIC. NO. 19863 DATE: 9/30/2009  
LICENSED PROFESSIONAL ENGINEER

STATE PROJ. NO. 2773-03 (T.H.62) SHEET NO. 13 OF 14 SHEETS

PLOTTED/REVISED: 5/27/2010

DISTRICT #: METRO  
 IPLOT NAME: 12773-03\_AB  
 PATH & FILENAME: IP\_PWP-d074617542773-03\_AB.dgn