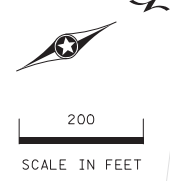


LEGEND

- ☼ LIGHTING UNIT
- DIRECT BURIED LIGHTING CABLE 4/C 4AWG
- ||— PERMANENT GROUND ROD (25 OHMS OR LESS)
- ==== 3" PVC DIRECTIONAL BORED (UNLESS NOTED OTHERWISE)
- HANDHOLE
- ☼ UNDERPASS LUMINAIRE (TYPE L)
- ⊗ LIGHTING UNIT IDENTIFIER
- INPLACE DIRECT BURIED LIGHTING CABLE
- RIGHT OF WAY
- AREA OF ENVIRONMENTAL SENSITIVITY

Built Per Plan

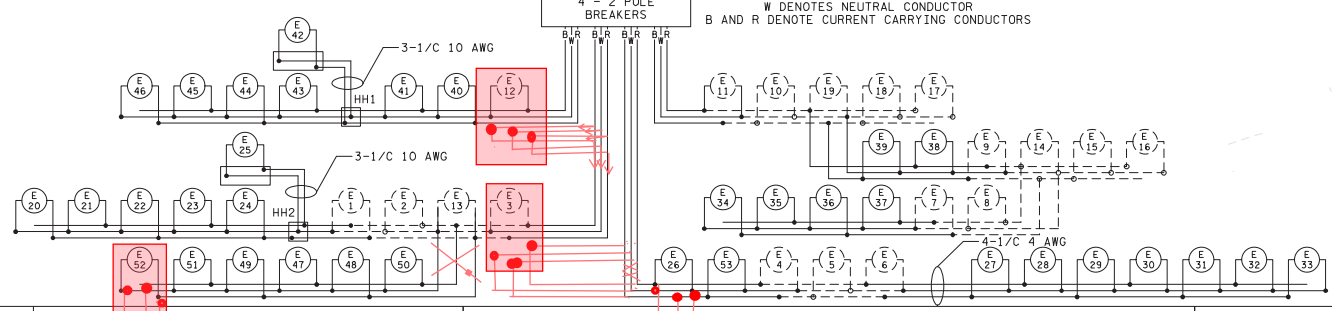


RP 159+00.690  
BEGIN S.P. 2762-63

LIGHT STANDARDS & FOUNDATIONS					
FD. PT. ROGE, 240/480V.					
NO.	STATION	LT	RT	LOCATION	FOUNDATION
1	INPLACE		X	212NB	9-40 DESIGN E
2	INPLACE		X	212NB	9-40 DESIGN E
13	INPLACE		X	LOOPB	9-40 DESIGN E
20	1489+35		X	212EB	9-40 DESIGN E
21	434+83		X	212NB	9-40 DESIGN E
22	436+86		X	212NB	9-40 DESIGN E
23	438+97		X	212NB	9-40 DESIGN E
24	441+09		X	212NB	9-40 DESIGN E
25	442+16		X	212NB	L
40	445+07	X		212SB	9-40 DESIGN E
41	442+61				9-40 DESIGN E
42	441+62				L
43	440+20				9-40 DESIGN E
44	438+00				9-40 DESIGN E
45	435-79				9-40 DESIGN E
46	433+63	X		212SB	9-40 DESIGN E
47	5+85	X	X	RAMPB	9-40 DESIGN E
48	9+51	X	X	LOOPB	9-40 DESIGN E
49	8+13	X	X	RAMPB	9-40 DESIGN E
50	7+12	X	X	LOOPB	9-40 DESIGN E
51	10+58	X	X	RAMPB	9-40 DESIGN E

FD. PT. ROGE, 240/480V.

DASHED LINES DENOTE INPLACE ITEMS  
W DENOTES NEUTRAL CONDUCTOR  
B AND R DENOTE CURRENT CARRYING CONDUCTORS



PLOTTED/REVISED: 12-MAY-2021

DISTRICT #: Metro  
IFLOT NAME: 09-Layout1  
PATH & FILENAME: Projects\DM\_R05\212\2763\062\Traffic\Lighting\2763062\_11r\_Layout

BY DATE	REVISIONS	FEEDPOINT: R6E	LOCATION: VALLEY VIEW RD	<b>LIGHTING PLAN</b>	
		METER ADDRESS: 7400 BRYANT LAKE RD EDEN PRAIRIE 55344			
DRAWN BY: KN	CKD BY: PB	CERTIFIED BY: <i>Michael P. Subraby</i>	LIC. NO. 19863	DATE: 12-MAY-2021	STATE PROJ. NO. 2763-62 (T.H. 212) SHEET NO. 9 OF 16 SHEETS

LEGEND

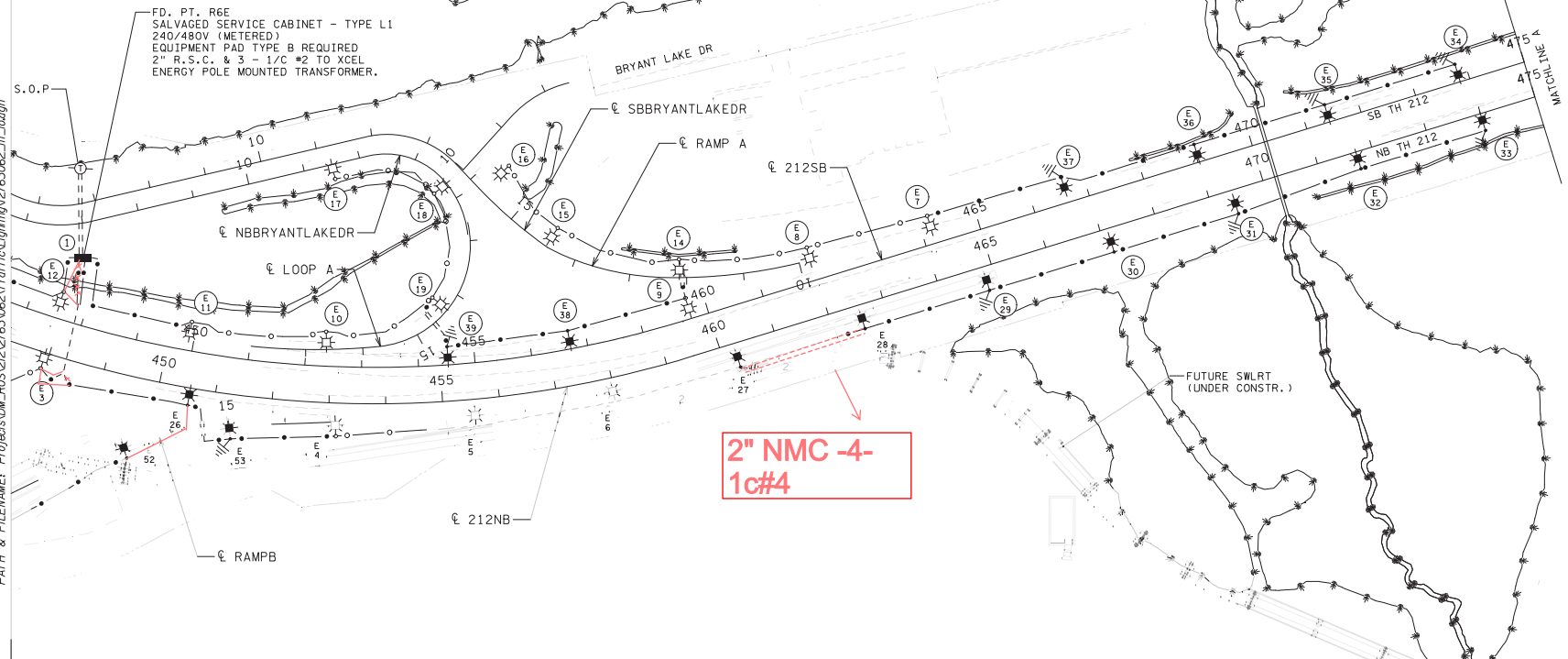
- ☼ LIGHTING UNIT
- ☼ LIGHTING UNIT IDENTIFIER
- ▬ SERVICE CABINET - TYPE L
- INPLACE DIRECT BURIED LIGHTING CABLE
- DIRECT BURIED LIGHTING CABLE 4/C 4AWG
- RIGHT OF WAY
- ||| PERMANENT GROUND ROD (25 OHMS OR LESS)
- AREA OF ENVIRONMENTAL SENSITIVITY
- ==== 3" PVC DIRECTIONAL BORED (UNLESS NOTED OTHERWISE)

LIGHT STANDARDS & FOUNDATIONS						
FD. PT. R06E, 240/480V.						
NO.	STATION	LT	RT	LOCATION	TYPE	FOUNDATION
3	INPLACE		X	212NB	9-40	DESIGN E
4	INPLACE				9-40	DESIGN E
5	INPLACE				9-40	DESIGN E
6	INPLACE				9-40	DESIGN E
7	INPLACE				9-40	DESIGN E
8	INPLACE			212NB	9-40	DESIGN E
9	INPLACE		X	212SB	9-40	DESIGN E
10	INPLACE		X	LOOPA	9-40	DESIGN E
11	INPLACE	X		212SB	9-40	DESIGN E
12	INPLACE	X		212SB	9-40	DESIGN E
14	INPLACE		X	RAMP A	9-40	DESIGN E
15	INPLACE		X	RAMP A	9-40	DESIGN E
16	INPLACE			RAMP A	9-40	DESIGN E
17	INPLACE			NBBRYANTLAKE	9-40	DESIGN E
18	INPLACE			NBBRYANTLAKE	9-40	DESIGN E
19	INPLACE	X		LOOPA	9-40	DESIGN E

LIGHT STANDARDS & FOUNDATIONS						
FD. PT. R06E, 240/480V.						
NO.	STATION	LT	RT	LOCATION	TYPE	FOUNDATION
26	450+55		X	212NB	9-40	DESIGN E
27	460+26				9-40	DESIGN E
28	462+55				9-40	DESIGN E
29	464+84				9-40	DESIGN E
30	467+13				9-40	DESIGN E
31	469+42				9-40	DESIGN E
32	471+71				9-40	DESIGN E
33	474+00		X	212NB	9-40	DESIGN E
34	473+82	X		212SB	9-40	DESIGN E
35	471+42				9-40	DESIGN E
36	469+03				9-40	DESIGN E
37	466+62				9-40	DESIGN E
38	456+70				9-40	DESIGN E
39	454+52	X		212SB	9-40	DESIGN E
52	13+12		X	RAMPB	9-40	DESIGN E
53	15+02		X	RAMPB	9-40	DESIGN E



- SPECIFIC NOTES:
- INSTALL SALVAGED SERVICE CABINET ON NEW EQUIPMENT PAD TYPE B.
  - F. & I. 2" RSC. NEED TO COORDINATE INSTALLATION OF THIS CONDUIT AND POLE FOUNDATION FOR E-27 WITH SWLRT CONSTRUCTION. THEY WILL BE INSTALLING CONCRETE PAVEMENT BETWEEN POLES E5 TO E27.



DISTRICT #: Metro  
 IFLOT NAME: 10.Layout2  
 PATH & FILENAME: Projects\DM\_R05\212\2763\062\TrafficLighting\2763062\_11\_Layoutn  
 PLOTTED/REVISED: 4-MAY-2021

BY	DATE	REVISIONS	FEEDPOINT: R6E	LOCATION: VALLEY VIEW RD	<b>LIGHTING PLAN</b>
			METER ADDRESS: 7400 BRYANT LAKE DR EDEN PRAIRIE 55344		
DRAWN BY: KN	CKD BY: PB	CERTIFIED BY: <i>Michael P. Sulzbach</i>	LIC. NO. 19863	DATE: 4-MAY-2021	STATE PROJ.NO. 2763-62 (T.H. 212) SHEET NO. 10 OF 16 SHEETS