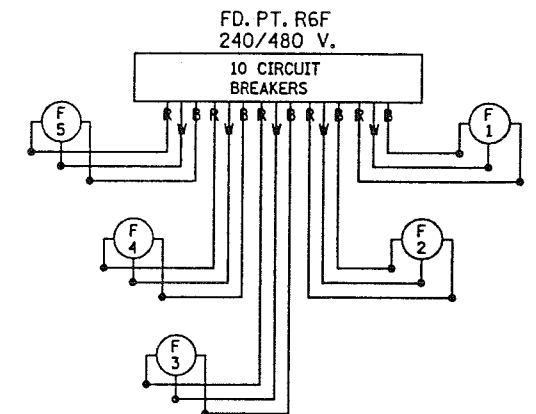
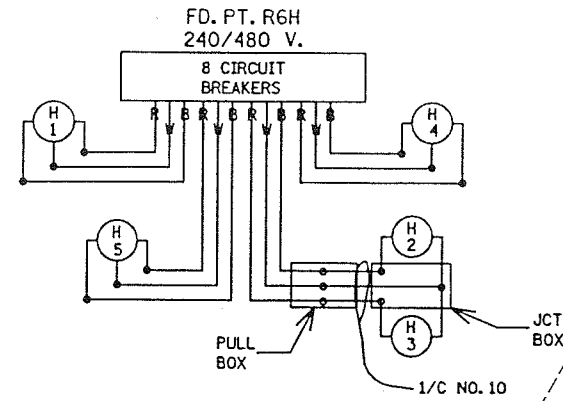
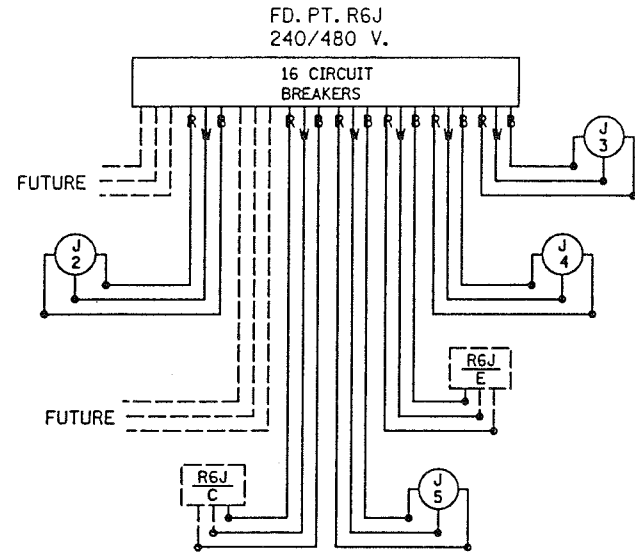
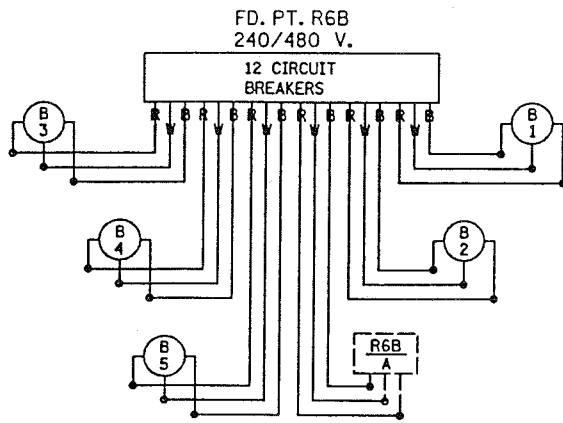


FD. PT. R6B

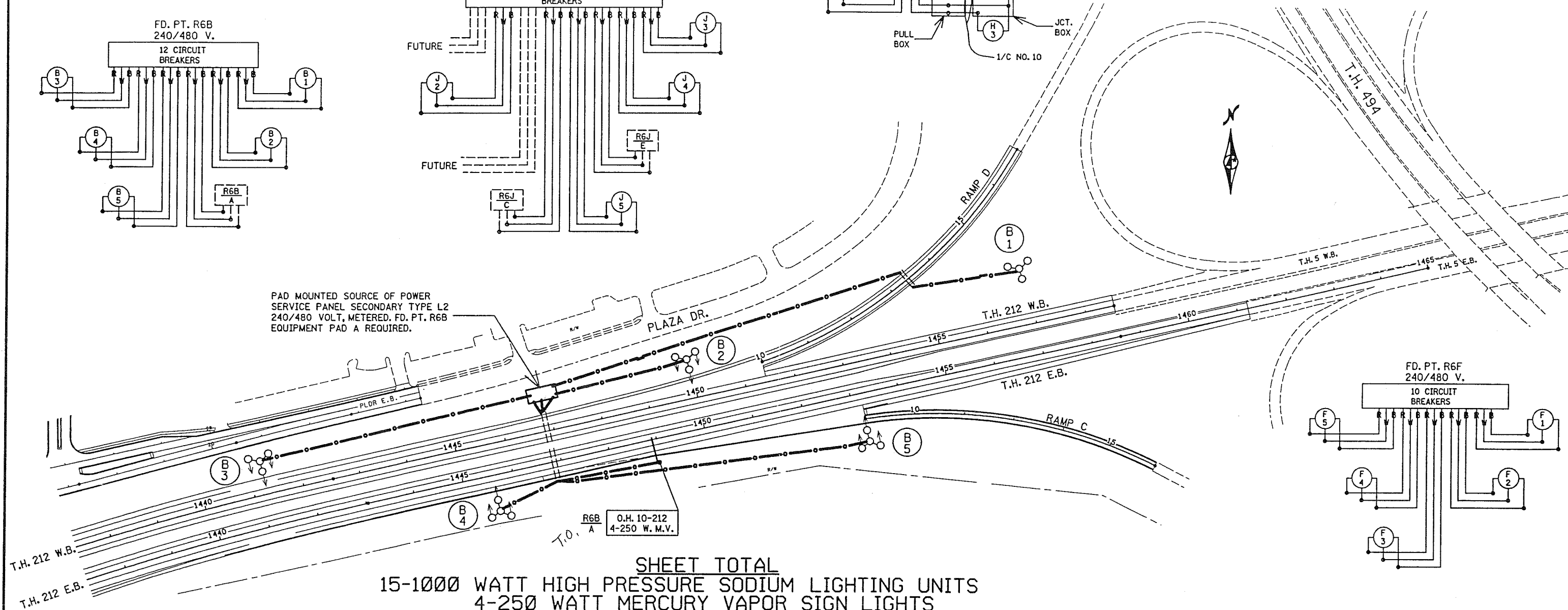
LIGHTING STANDARDS AND BASES

NO.	STATION	LT.	RT.	LOCATION	TYPE
(2) 1	1456+90	115'		T.H. 212 W.B.	3-100
2	1449+95	77'		T.H. 212 W.B.	3-100
3	1441+25	66'		T.H. 212 W.B.	3-100
(1) 4	1445+60		66'	T.H. 212 E.B.	3-100
(1) 5	1453+20		96'	T.H. 212 E.B.	3-100

- (1) ASYMMETRICAL LUMINAIRES REQUIRED
 - (2) SYMMETRICAL LUMINAIRES REQUIRED
- ORIENT ASYMMETRICAL LUMINAIRES IN DIRECTION OF ARROWS



PAD MOUNTED SOURCE OF POWER
SERVICE PANEL SECONDARY TYPE L2
240/480 VOLT, METERED. FD. PT. R6B
EQUIPMENT PAD A REQUIRED.



R6B A
O.H. 10-212
4-250 W.M.V.

SHEET TOTAL

15-1000 WATT HIGH PRESSURE SODIUM LIGHTING UNITS
4-250 WATT MERCURY VAPOR SIGN LIGHTS

GRAND TOTALS

51-1000 WATT HIGH PRESSURE SODIUM LIGHTING UNITS
2-200 WATT HIGH PRESSURE SODIUM UNDERPASS LIGHTS
18-250 WATT MERCURY VAPOR SIGN LIGHTS

EXHIBIT 329
T.H. 212 & PRAIRIE CENTER DR.
IN EDEN PRAIRIE
N.S.P.
METERED

FD. PT. R6B

CERTIFIED BY *Susan A. Lott*
PROFESSIONAL ENGINEER

REG. NO. 21180

State Proj. No. 2762-11 (T.H. 212)

Sheet No. 2 of 2 Sheets