

SPECIFIC NOTES

- ① EXTEND EXISTING R5H LIGHTING CIRCUIT TO NEW LOCATION OF POLE H/1.
- ② PROVIDE 2" NMC IN SIGN FOUNDATION AT TH 169 SB STA. 419+00, 37.5LT. STUB 12" BEYOND FOUNDATION AND CAP 24" BELOW GRADE.

FD. PT. R5H

LIGHTING STANDARDS AND BASES				
NO.	STATION	LT.	RT.	LOCATION
1	426+94	38		TH 169 SB
29	429+70	*		TH 169 SB

* BRIDGE UNIT

⊕ EXISTING SB 169-1

⊕ EXISTING NB 169-1

FD. PT. R5L

LIGHTING STANDARDS AND BASES				
NO.	STATION	LT.	RT.	LOCATION
14	432+64	*		TH 169 SB
16	INPLACE	-	-	TH 169 SB
17	INPLACE	-	-	TH 169 SB

* BRIDGE UNIT

LEGEND

- NEW PAD MOUNTED SERVICE CABINET
- INPLACE PAD MOUNTED SERVICE CABINET
- 1-4/C #4 ARMoured DIRECT BURIED CABLE, UNLESS NOTED OTHERWISE
- INPLACE DIRECT BURIED CABLE
- 3" NON METALIC CONDUIT (N.M.C.) UNLESS NOTED OTHERWISE
- NEW DAVIT LIGHTING UNIT
- INPLACE DAVIT LIGHTING UNIT
- NEW SHOEBOX LIGHTING UNIT
- NEW UNDERPASS LIGHTING UNIT
- INPLACE UNDERPASS LIGHTING UNIT
- NEW THREE HEAD HIGH MAST LIGHTING UNIT (SYMMETRICAL)
- NEW THREE HEAD HIGH MAST LIGHTING UNIT (ASYMMETRICAL)
- MODIFIED HIGH MAST LIGHTING UNIT, FOURTH HEAD ADDED (SYMMETRICAL)
- INPLACE THREE HEAD HIGH MAST LIGHTING UNIT (SYMMETRICAL)
- INPLACE THREE HEAD HIGH MAST LIGHTING UNIT (ASYMMETRICAL)
- RELOCATED THREE HEAD HIGH MAST LIGHTING UNIT (SYMMETRICAL)
- RELOCATED THREE HEAD HIGH MAST LIGHTING UNIT (ASYMMETRICAL)
- NEW HANDHOLE
- INPLACE HANDHOLE
- TRANSFORMER
- GROUND ROD



200
SCALE IN FEET

SHEET 1 OF 14

\\mspec001\proj\as-built\design plan\package\sheet\30 Lighting Plans\CD277603_T24_LL01.dgn

10:22:33 AM

MNDOT		DRAWN: TKF
SIGNATURE	DATE	CHECKED: MAH
REV	DATE	BY
	01-14-13	
DESCRIPTION OF REVISION		DESIGNED: MAH
AS-BUILT		CHECKED: BML

JACOBS *MP Consultants*
CORPORATE ENGINEERING

C.S. McCrossan
KRAEMER

I HEREBY CERTIFY THAT THIS PLAN WAS PREPARED BY ME OR UNDER MY DIRECT SUPERVISION AND THAT I AM A DULY LICENSED PROFESSIONAL ENGINEER UNDER THE LAWS OF THE STATE OF MINNESOTA.

NAME: JEFFREY A. HILDEN LICENSE: 20781 DATE: 20781

LIGHTING SHEET
TH 169 STA. 405-435

S.P. NO. 2776-03 (T.H. 169)
SHEET NO. 1293 OF 2032 SHEETS

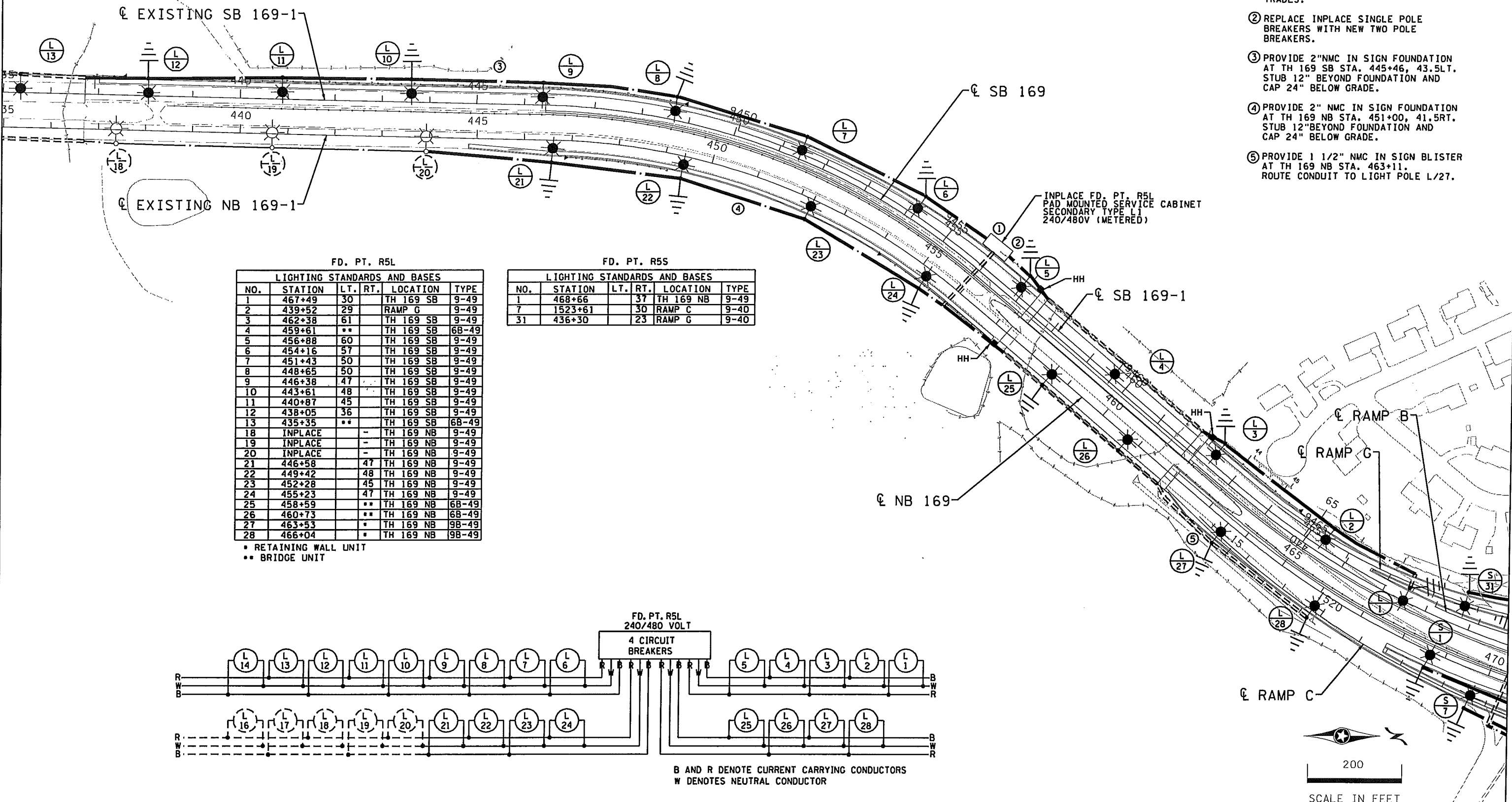
DESIGN PACKAGE T24
SHEET LOCATION SL_A
DRAWING NAME CD277603_T24_LL01

SPECIFIC NOTES

- ① RELOCATE EXISTING SERVICE CABINET AWAY FROM EDGE OF NEW PAVEMENT. COORDINATE WITH XCEL AND OTHER TRADES.
- ② REPLACE INPLACE SINGLE POLE BREAKERS WITH NEW TWO POLE BREAKERS.
- ③ PROVIDE 2" NMC IN SIGN FOUNDATION AT TH 169 SB STA. 445+46, 43.5LT. STUB 12" BEYOND FOUNDATION AND CAP 24" BELOW GRADE.
- ④ PROVIDE 2" NMC IN SIGN FOUNDATION AT TH 169 NB STA. 451+00, 41.5RT. STUB 12" BEYOND FOUNDATION AND CAP 24" BELOW GRADE.
- ⑤ PROVIDE 1 1/2" NMC IN SIGN BLISTER AT TH 169 NB STA. 463+11. ROUTE CONDUIT TO LIGHT POLE L/27.

I:\mspec01\proj\as-built\design\plan_package\sheet\30 Lighting Plans\CD277603_T24_LL02.dgn

10/22/2013 2:17:20 PM



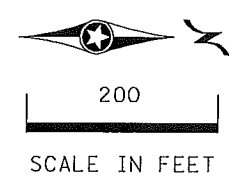
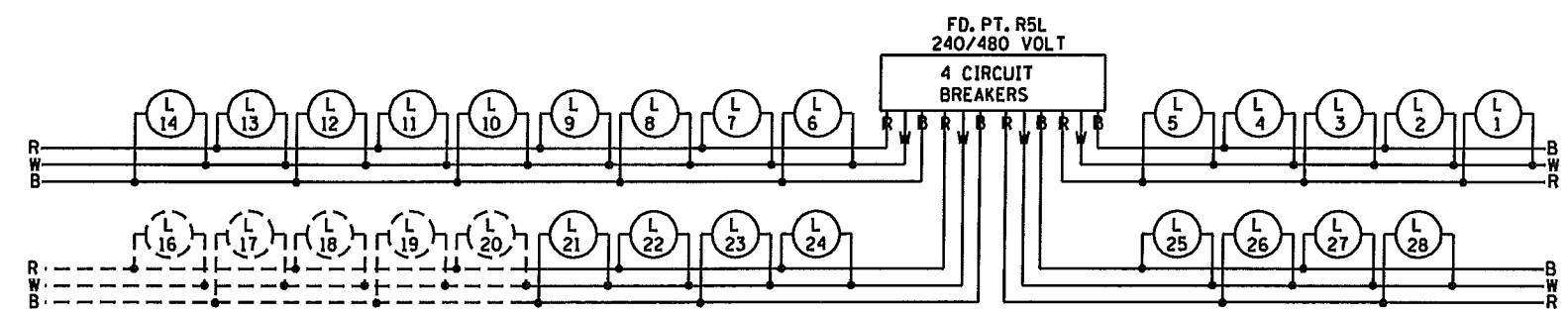
FD. PT. R5L

LIGHTING STANDARDS AND BASES					
NO.	STATION	LT.	RT.	LOCATION	TYPE
1	467+49	30		TH 169 SB	9-49
2	439+52	29		RAMP G	9-49
3	462+38	61		TH 169 SB	9-49
4	459+61	**		TH 169 SB	6B-49
5	456+88	60		TH 169 SB	9-49
6	454+16	57		TH 169 SB	9-49
7	451+43	50		TH 169 SB	9-49
8	448+65	50		TH 169 SB	9-49
9	446+38	47		TH 169 SB	9-49
10	443+61	48		TH 169 SB	9-49
11	440+87	45		TH 169 SB	9-49
12	438+05	36		TH 169 SB	9-49
13	435+35	**		TH 169 SB	6B-49
18	INPLACE	-	-	TH 169 NB	9-49
19	INPLACE	-	-	TH 169 NB	9-49
20	INPLACE	-	-	TH 169 NB	9-49
21	446+58	47		TH 169 NB	9-49
22	449+42	48		TH 169 NB	9-49
23	452+28	45		TH 169 NB	9-49
24	455+23	47		TH 169 NB	9-49
25	458+59	**		TH 169 NB	6B-49
26	460+73	**		TH 169 NB	6B-49
27	463+53	*		TH 169 NB	9B-49
28	466+04	*		TH 169 NB	9B-49

* RETAINING WALL UNIT
 ** BRIDGE UNIT

FD. PT. R55

LIGHTING STANDARDS AND BASES					
NO.	STATION	LT.	RT.	LOCATION	TYPE
1	468+66		37	TH 169 NB	9-49
7	1523+61		30	RAMP C	9-40
31	436+30		23	RAMP G	9-40



SHEET 2 OF 14

MNDOT		DRAWN: TKF
SIGNATURE	DATE	CHECKED: MAH
REV 01-14-13	BY	DESIGNED: MAH
		CHECKED: BML

JACOBS *MP Consultants*
CONSULTING ENGINEERS

C.S. McCrossan
KRAEMER

I HEREBY CERTIFY THAT THIS PLAN WAS PREPARED BY ME OR UNDER MY DIRECT SUPERVISION AND THAT I AM A DULY LICENSED PROFESSIONAL ENGINEER UNDER THE LAWS OF THE STATE OF MINNESOTA.
NAME BEATRIZ A MENDEZ-LORA LICENSE 25230

LIGHTING SHEET
TH 169 STA. 435-470
S.P. NO. 2776-03 (T.H. 169)
SHEET NO. 1294 OF 2032 SHEETS

DESIGN PACKAGE T24
SHEET LOCATION SL_B
DRAWING NAME CD277603_T24_LL02