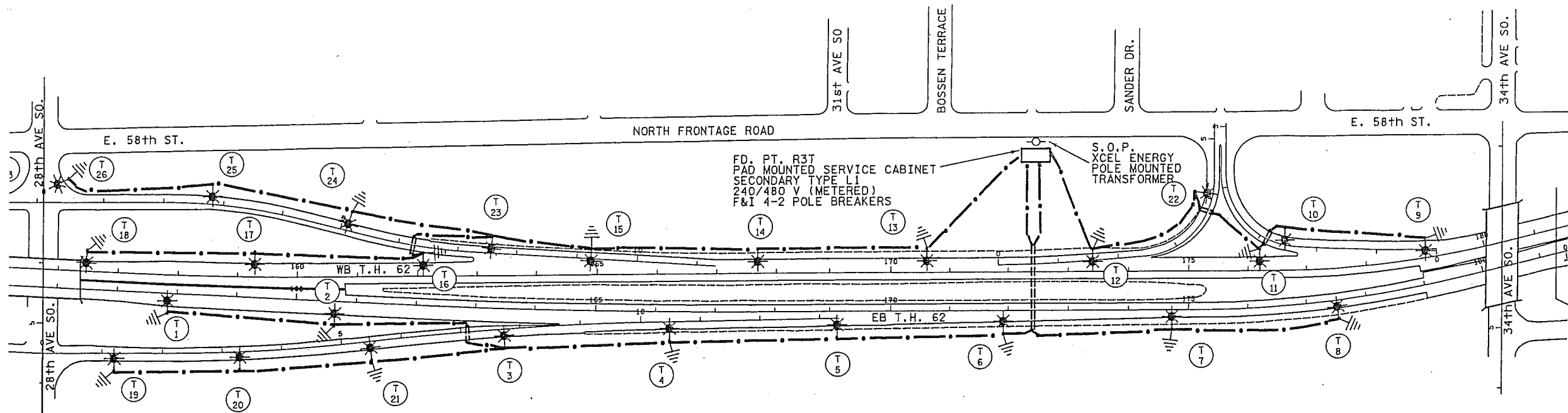
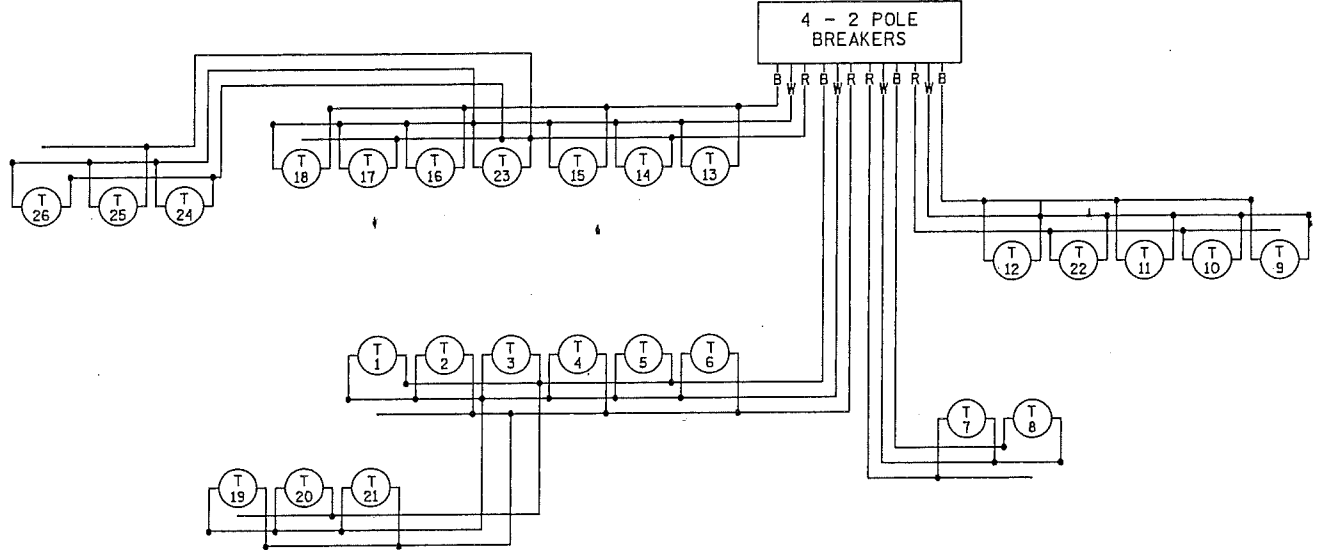


PLOTTED/REVISED: 8/15/2012

DISTRICT: METRO  
 IPLOT NAME: 12775-21J12  
 PATH & FILENAME: IP\_PWP-d146525N2775-21J1.dgn

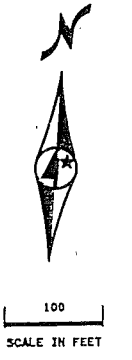


W DENOTES NEUTRAL CONDUCTOR  
 B AND R DENOTE CURRENT CARRYING CONDUCTORS  
 FD. PT. R3T  
 240/480 VOLT



FEEDPOINT R3T  
 LIGHTING STANDARDS AND BASES

NO.	STATION	LT.	RT.	LOCATION	TYPE	WATT
1	157+80		X	EB T.H.62	9-49	400
2	160+65		X			
3	163+50		X			
4	166+25		X			
5	169+10		X			
6	171+90		X			
7	174+70		X			
8	177+50		X	EB T.H.62		
9	179+10	X		WB T.H.62	9-49	400
10	2+60		X	62W34AVE	9-40	250
11	176+20	X			9-49	400
12	173+40	X				
13	170+60	X				
14	167+70	X				
15	164+90	X				
16	162+10	X				
17	159+30	X				
18	156+50	X		WB T.H.62	9-49	400
19	1+20		X	28AVE62W	9-40	250
20	3+30		X	28AVE62W		
21	5+50		X	28AVE62W		
22	4+10	X		34AVE62W		
23	7+55	X		62W28AVE		
24	5+10	X				
25	2+80	X				
26	0+40	X		62W28AVE	9-40	250



BY	DATE	REVISIONS

DRAWN BY: JR    CKD BY: GB    DATE:   

FEEDPOINT: R3T    LOCATION: BETWEEN 31st AND 34th AVENUE  
 METER ADDRESS: 3400 HIGHWAY 62E MINNEAPOLIS 55417

CERTIFIED BY: *Michael P. Sabensky*    LIC. NO. 19863    DATE: 8/15/2012

**LIGHTING PLAN**

STATE PROJ. NO. 2775-21 (T.H. 62)    SHEET NO. 12 OF 13 SHEETS