

PLOTTED/REVISED: \$\$\$@DATE@\$\$\$

### LEGEND

- INSTALL SALVAGED LIGHTING UNIT
- INSTALL SALVAGED UNDERPASS LIGHT
- DIRECT BURIED LIGHTING CABLE 4/C 4 AWG
- GROUND ROD
- INPLACE LIGHTING UNIT
- INPLACE FD. PT. CABINET
- INPLACE HANDHOLE
- LIGHTING UNIT IDENTIFIER
- INPLACE DIRECT BURIED LIGHTING CABLE
- INPLACE CONDUIT

FEEDPOINT R02H  
LIGHTING UNIT LOCATION AND TYPE

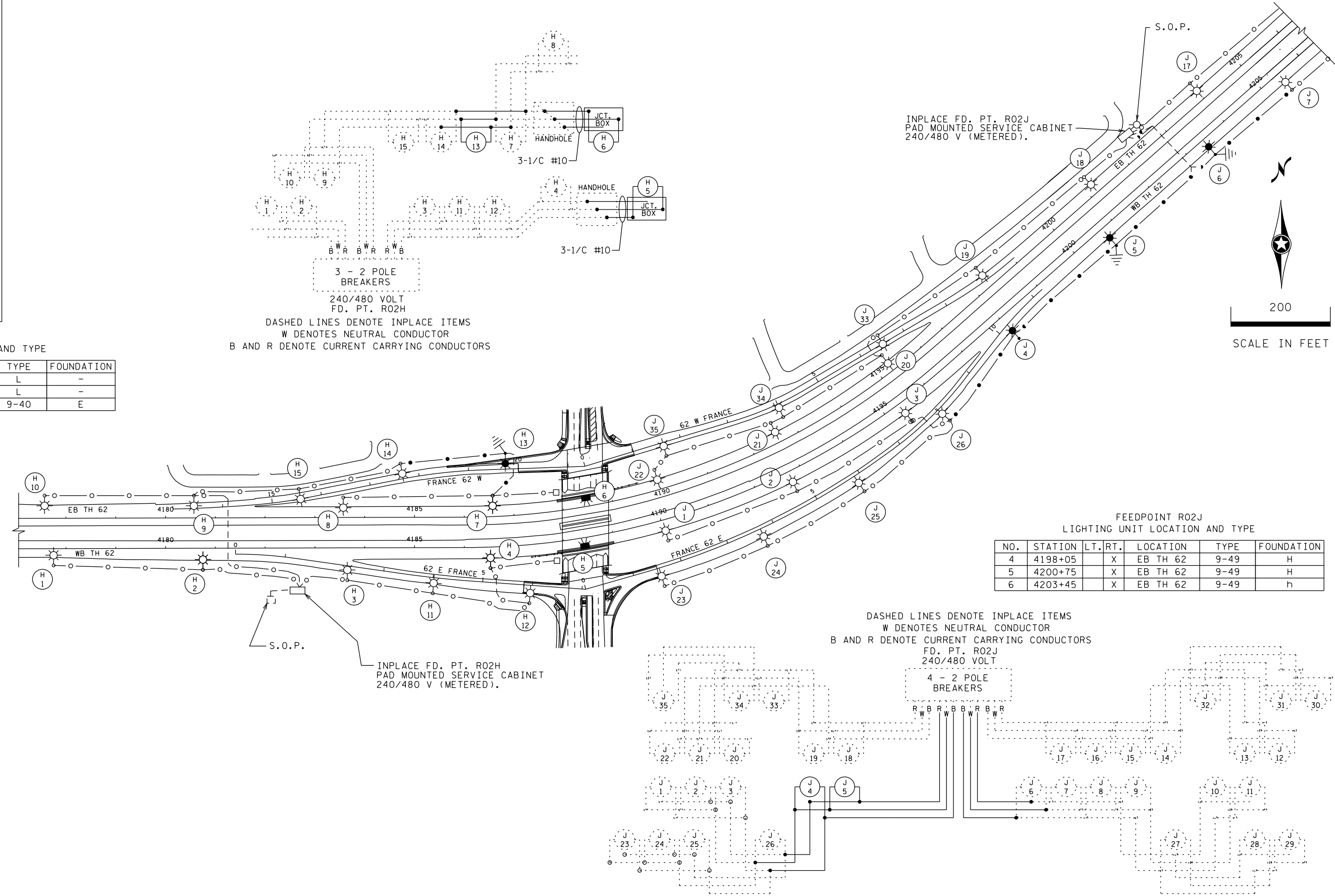
NO.	STATION	LT.	RT.	LOCATION	TYPE	FOUNDATION
5	4188+45		X	EB TH 62	L	-
6	4188+55	X		WB TH 62	L	-
13	19+75	X		FRANCE 62 W	9-40	E

3 - 2 POLE BREAKERS  
240/480 VOLT  
FD. PT. R02H  
DASHED LINES DENOTE INPLACE ITEMS  
W DENOTES NEUTRAL CONDUCTOR  
B AND R DENOTE CURRENT CARRYING CONDUCTORS

FEEDPOINT R02J  
LIGHTING UNIT LOCATION AND TYPE

NO.	STATION	LT.	RT.	LOCATION	TYPE	FOUNDATION
4	4198+05		X	EB TH 62	9-49	H
5	4200+75	X		EB TH 62	9-49	H
6	4203+45	X		EB TH 62	9-49	h

DASHED LINES DENOTE INPLACE ITEMS  
W DENOTES NEUTRAL CONDUCTOR  
B AND R DENOTE CURRENT CARRYING CONDUCTORS  
FD. PT. R02J  
240/480 VOLT  
4 - 2 POLE BREAKERS



FEEDPOINT: R02H      LOCATION: FRANCE AVENUE SOUTH  
METER ADDRESS: 4001 HIGHWAY 62 SOUTH, RICHFIELD, MN 55423

FEEDPOINT: R02J      LOCATION: XERXES AVENUE SOUTH  
METER ADDRESS: 3350 HIGHWAY 62 SOUTH, RICHFIELD, MN 55423

S.A.P. 027-617-030 S.P. 027-617-030

## LIGHTING PLAN

BY	DATE	REVISIONS
DRAWN BY:	JC	CKD BY: PB

CERTIFIED BY \_\_\_\_\_ LIC. NO. \_\_\_\_\_ DATE: \$\$\$@DATE@\$\$\$  
LICENSED PROFESSIONAL ENGINEER

STATE PROJ. NO. 2774-23 (T.H. 62) SHEET NO. SL4R OF SL4 SHEETS

DISTRICT #: \$@DISTRICT@\$  
PLOT NAME: \$\$\$@PLOT\$NAME@\$\$  
PATH & FILENAME: \$\$\$@PATH\$FILENAME@\$\$\$

SEE LEGEND SHEET 9

FEEDPOINT R2J  
LIGHTING STANDARDS AND BASES

NO.	STATION	LT.	RT.	LOCATION	TYPE	WATT
1	4190+05		X	EB T.H.62	9-49	400
2	4192+75		X			
3	4195+35		X			
4	4198+05		X			
5	4200+75		X			
6	4203+45		X			
7	4206+15		X			
8	4208+85		X			
9	4211+65		X			
10	4214+40		X			
11	4217+30		X	EB T.H.62		
12	4218+00	X		WB T.H.62		
13	4215+25	X				
(1) 14	4212+50	X				
(1) 15	4209+70	X				
(1) 16	4206+85	X				
17	4204+00	X				
18	4201+15	X				
19	4198+30	X				
20	4195+25	X				
21	4192+55	X				
22	4190+00	X		WB T.H.62	9-49	400

(1) ACCESS DOOR ROTATED 90 DEGREES.

FD. PT. R2J  
PAD MOUNTED SERVICE CABINET  
SECONDARY TYPE L1  
240/480 V (METERED).  
EQUIPMENT PAD B.  
2" R.S.C. 3-1/2" #2 TO  
XCEL POLE MOUNTED TRANSFORMER.

INPLACE S.O.P.  
XCEL ENERGY  
POLE MOUNTED  
TRANSFORMER.

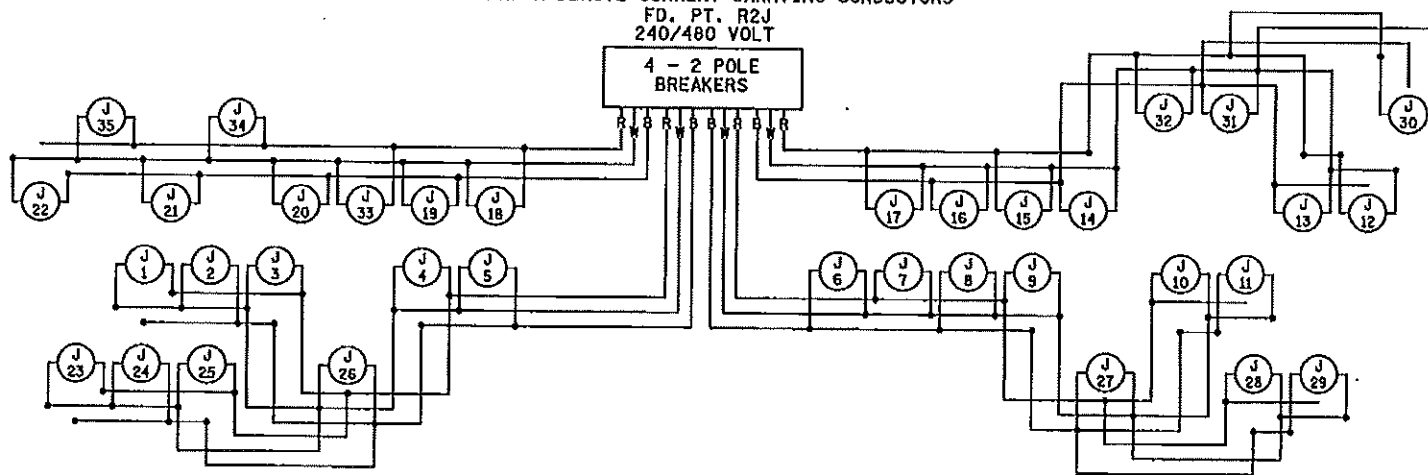
FEEDPOINT R2J  
LIGHTING STANDARDS AND BASES

(2) 23	AS SHOWN	X	FRANCE62E	9-40	250
(1) (2) 24	AS SHOWN	X	FRANCE62E		
25	AS SHOWN	X	FRANCE62E		
26	AS SHOWN	X	FRANCE62E		
27	AS SHOWN	X	62EXERXES		
28	AS SHOWN	X	62EXERXES		
29	AS SHOWN	X	62EXERXES		
30	AS SHOWN	X	XERXES62W		
31	AS SHOWN	X	XERXES62W		
32	AS SHOWN	X	XERXES62W		
(1) 33	AS SHOWN	X	62WFRANCE		
(3) 34	AS SHOWN	X	62WFRANCE		
(3) 35	AS SHOWN	X	62WFRANCE	9-40	250

- (1) ACCESS DOOR ROTATED 90 DEGREES.
- (2) INSTALL STATE FURNISHED LUMINAIRE WITH AIR OBSTRUCTION LIGHT.
- (3) INSTALL SHIELD ON HOUSE SIDE OF LUMINAIRE.

W DENOTES NEUTRAL CONDUCTOR  
B AND R DENOTE CURRENT CARRYING CONDUCTORS  
FD. PT. R2J  
240/480 VOLT

4 - 2 POLE  
BREAKERS



FEED POINT R2J

LIGHTING PLAN

BY	DATE	REVISIONS	FEEDPOINT: R2J	LOCATION: T.H. 62 at BEARDS PLACE	METER ADDRESS: 3350 Highway 62 So. Richfield 55423	STATE PROJ. NO. 2774-20 (T.H. 62)	SHEET NO. 11 OF 13 SHEETS
DRAWN BY: PB	CKD BY: GB	DATE:	CERTIFIED BY: <i>Michael P. Schinsky</i>	LIC. NO. 19863	DATE: 12/14/2011		

PLOTTED/REVISED: 12/14/2011

DISTRICT #: METRO  
I/PLOT NAME: 12774-2011  
PATH & FILENAME: IP\_PWP-d1427-4212774-20.dgn

