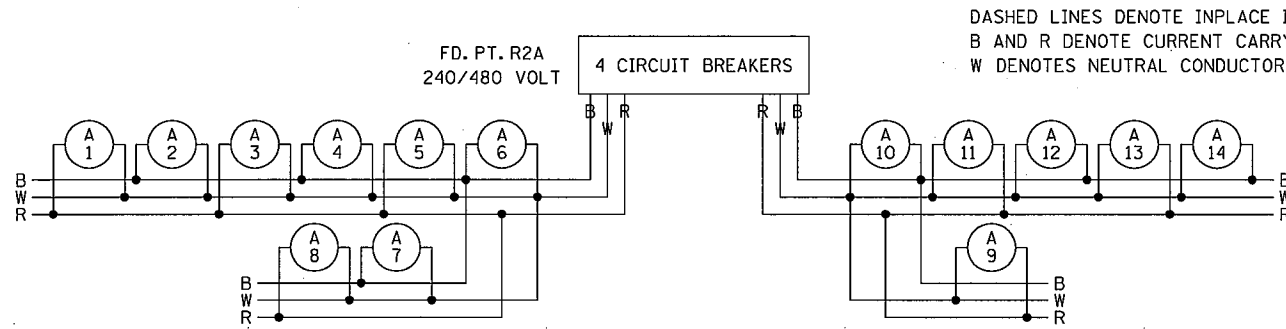


FEEDPOINT: R2A LOCATION: TH 62 AT WYMAN AVE.  
 METER ADDRESS: 5202 HIGHWAY 62 EDINA 55410

FEEDPOINT R2A					
LIGHTING STANDARDS AND FOUNDATIONS					
NO.	STATION	LT.	RT.	LOCATION	TYPE
1	4100+20.00	X		TH 62 EB	9-49
2	4102+97.00	X		TH 62 EB	9-49
3	4105+73.00	X		TH 62 EB	9-49
4	4108+50.00	X		TH 62 EB	9-49
5	4111+24.00	X		TH 62 EB	9-49
6	4113+98.00	X		TH 62 EB	9-49
7	4116+72.00	X		TH 62 EB	9-49
8	4119+46.00	X		TH 62 EB	9-49
9	4116+30.00	X		TH 62 WB	9-49
10	4113+45.00	X		TH 62 WB	9-49
11	4110+60.00	X		TH 62 WB	9-49
12	4107+50.00	X		TH 62 WB	9-49
13	4104+40.00	X		TH 62 WB	9-49
14	4101+30.00	X		TH 62 WB	9-49



DASHED LINES DENOTE INPLACE ITEMS  
 B AND R DENOTE CURRENT CARRYING CONDUCTORS  
 W DENOTES NEUTRAL CONDUCTOR

FD. PT. R2A  
 240/480 VOLT

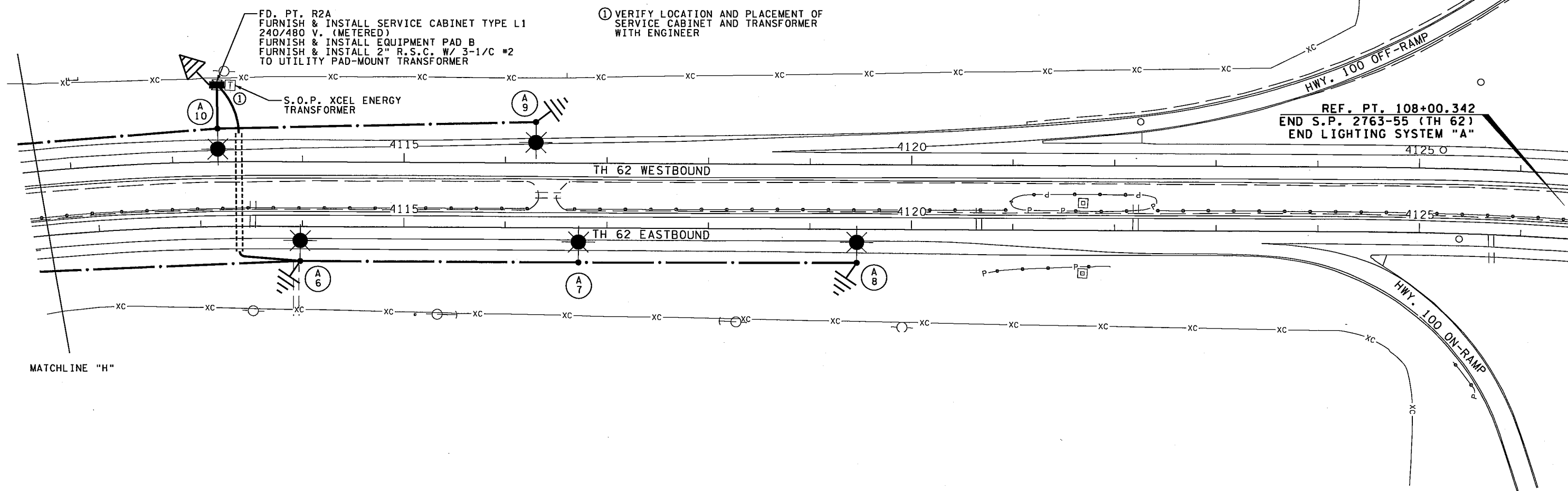
4 CIRCUIT BREAKERS

① VERIFY LOCATION AND PLACEMENT OF SERVICE CABINET AND TRANSFORMER WITH ENGINEER

FD. PT. R2A  
 FURNISH & INSTALL SERVICE CABINET TYPE L1 240/480 V. (METERED)  
 FURNISH & INSTALL EQUIPMENT PAD B  
 FURNISH & INSTALL 2" R.S.C. W/ 3-1/C #2 TO UTILITY PAD-MOUNT TRANSFORMER

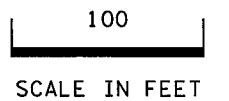
S.O.P. XCEL ENERGY TRANSFORMER

REF. PT. 108+00.342  
 END S.P. 2763-55 (TH 62)  
 END LIGHTING SYSTEM "A"



MATCHLINE "H"

NOTES:  
 SEE LEGEND ON LIGHTING PLAN SHEET 1



File: \\hgsprnas\data\20160044\CAD\Road\_Design\sheet\CT2763-55\_101.dgn

PlotDwg: pdf\_bw\_no\_level.plt  
 Model: 10

PlotTb: trg.tbl  
 Last Saved: 11/15/2016

NO.	REVISIONS	BY	APR.	DATE

DESIGNED SRJ	CHECKED TAJ
DRAWN TAJ	APPROVED NLP
DATE 11/15/2016	JOB NO. 2763-55

I HEREBY CERTIFY THAT THIS PLAN, SPECIFICATION, OR REPORT WAS PREPARED BY ME OR UNDER MY DIRECT SUPERVISION AND THAT I AM A DULY LICENSED PROFESSIONAL ENGINEER UNDER THE LAWS OF THE STATE OF MINNESOTA.

*Steven R. Junod*  
 LIC. NO. 25307  
 TYPED NAME STEVEN R JUNOD DATE 11/9/2016



SP 2763-55  
 SP 2773-13  
 TH 62

MINNESOTA DEPARTMENT OF TRANSPORTATION

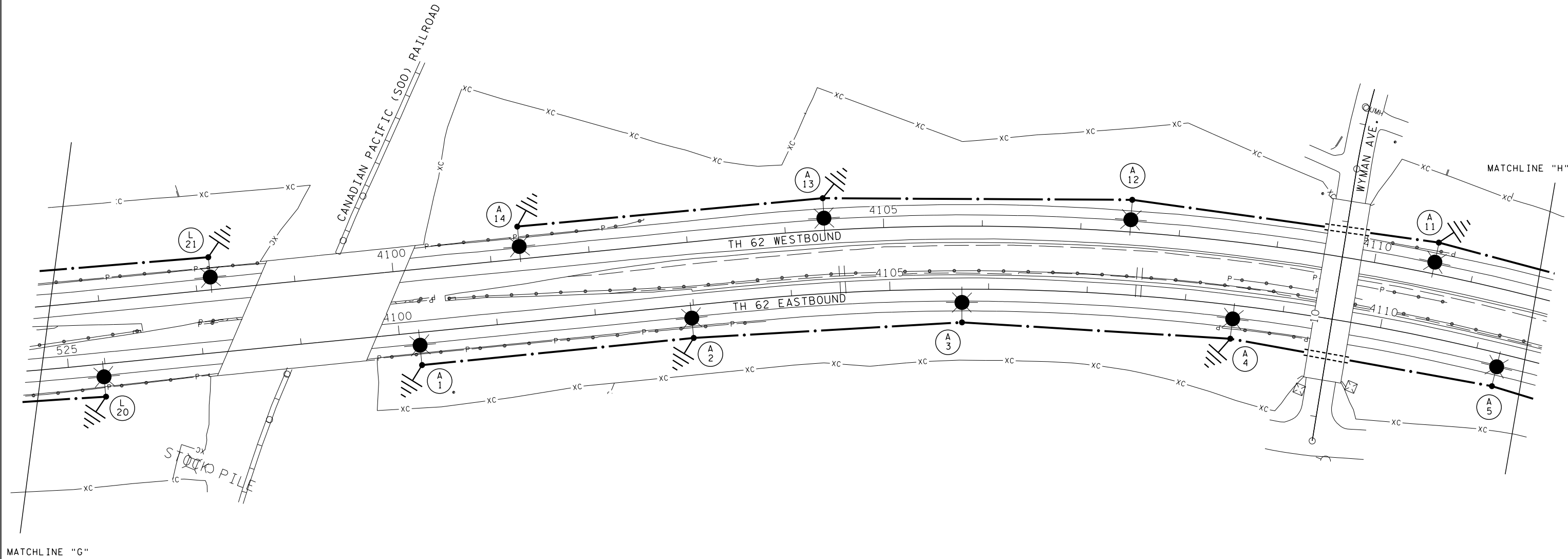
LIGHTING PLAN  
 LIGHTING SYSTEM "A"  
 SHEET 10 OF 10

SHEET	23
OF	33

File: \\hrgsmaas\data\20160044\CAD\Road\_Designsheets\CT2763-55\_101.dgn

PlotDvr: pdf\_bw\_no\_level.plt  
Model: 09

PenTbt: hrg.tbl  
Last Saved: 2/9/2017



NOTES:  
SEE LEGEND ON  
LIGHTING PLAN SHEET 1



NO.	REVISIONS	BY	APR.	DATE

DESIGNED SRJ	CHECKED TAJ
DRAWN TAJ	APPROVED NLP
DATE 2/9/2017	JOB NO. 2763-55

I HEREBY CERTIFY THAT THIS PLAN, SPECIFICATION, OR REPORT WAS PREPARED BY ME OR UNDER MY DIRECT SUPERVISION AND THAT I AM A DULY LICENSED PROFESSIONAL ENGINEER UNDER THE LAWS OF THE STATE OF MINNESOTA.

*Steven R. Junod*  
L.I.C. NO. 25307  
TYPED NAME STEVEN R JUNOD DATE 11/9/2016



SP 2763-55  
SP 2773-13  
TH 62

MINNESOTA DEPARTMENT OF TRANSPORTATION  
LIGHTING PLAN  
LIGHTING SYSTEM "A"  
SHEET 9 OF 10

SHEET  
22R  
OF  
33