

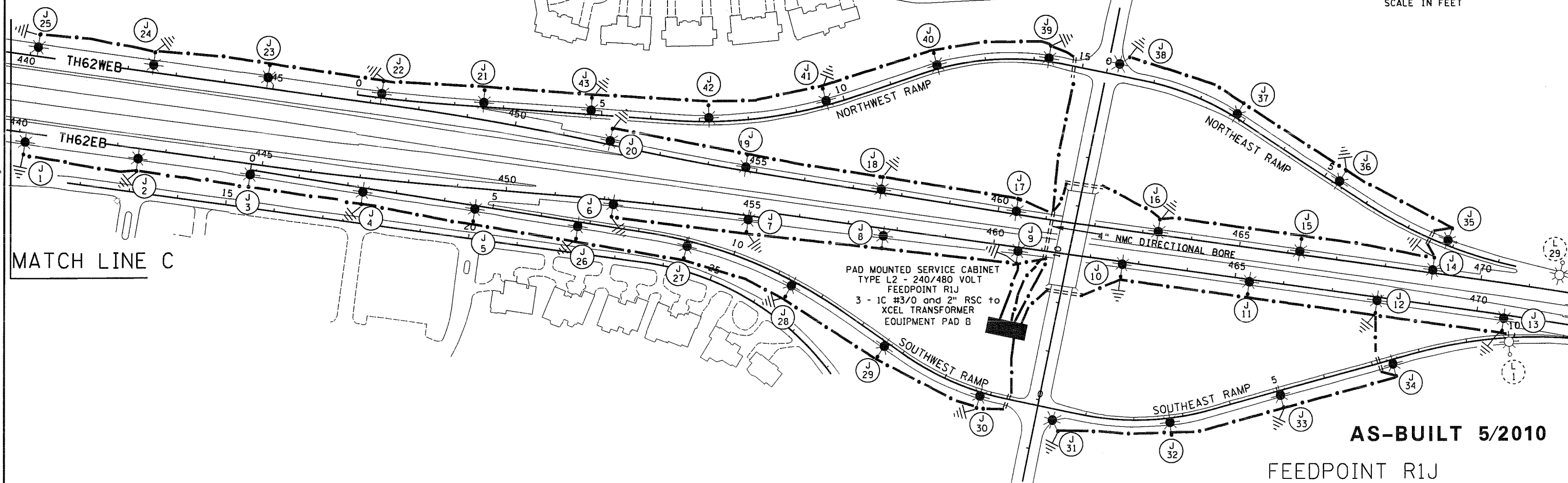
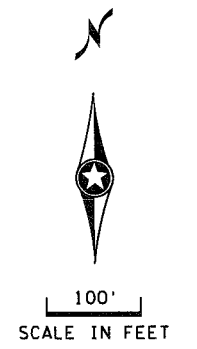
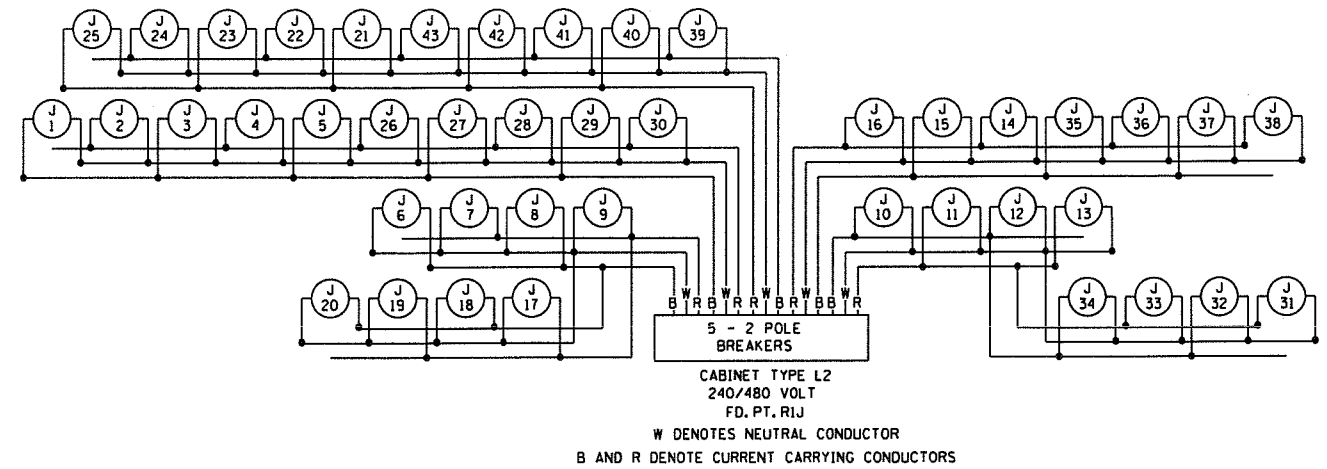
LEGEND SHEET 11

FEEDPOINT R1J

LIGHTING STANDARDS AND BASES					
NO.	STA.	LT.	RT.	LOCATION	WATTAGE
1	440+15			TH62EB	400
2	442+45				
3	444+80				
4	447+10				
5	449+40				
6	452+20				
7	455+00				
8	457+75				
9	460+50				
10	462+65				
11	465+30				
12	467+90				
13	470+55			TH62EB	
14	469+00			TH62WB	
15	466+25				
16	463+30				
17	460+30				
18	457+55				
19	454+75				
20	451+95				
21	449+15				
22	447+20				
23	444+90				
24	442+50				
25	440+15			TH62WB	400

FEEDPOINT R1J

LIGHTING STANDARDS AND BASES					
NO.	STA.	LT.	RT.	LOCATION	WATTAGE
26	6+75			SW RAMP	250
27	9+00				
28	11+35				
29	13+60				
30	15+80			SW RAMP	
31	0+45			SE RAMP	
32	2+80				
33	5+05				
34	7+40			SE RAMP	
35	7+85			NE RAMP	
36	5+30				
37	2+80				
38	0+35			NERAMP	
39	14+30			NWRAMP	
40	12+00				
41	9+65				
42	7+20				
43	4+80			NWRAMP	250



AS-BUILT 5/2010

FEEDPOINT R1J

BY	DATE	REVISIONS	FEEDPOINT: R1J	LOCATION: TH62 at GLEASON RD	LIGHTING PLANS
			METER ADDRESS:		
DRAWN BY: NS	CKD BY: GB	DATE:	CERTIFIED BY: <i>Michael P. Gubsky</i>	LIC. NO. 19863 DATE: 9/30/2009	STATE PROJ. NO. 2773-03 (T.H.62) SHEET NO. 14 OF 14 SHEETS

PLOTTED/REVISED: 5/27/2010

DISTRICT #: METRO
 IPLOT NAME: 12773-03-AB
 PATH & FILENAME: IP_PWP-0746175V2773-03_AB.dgn