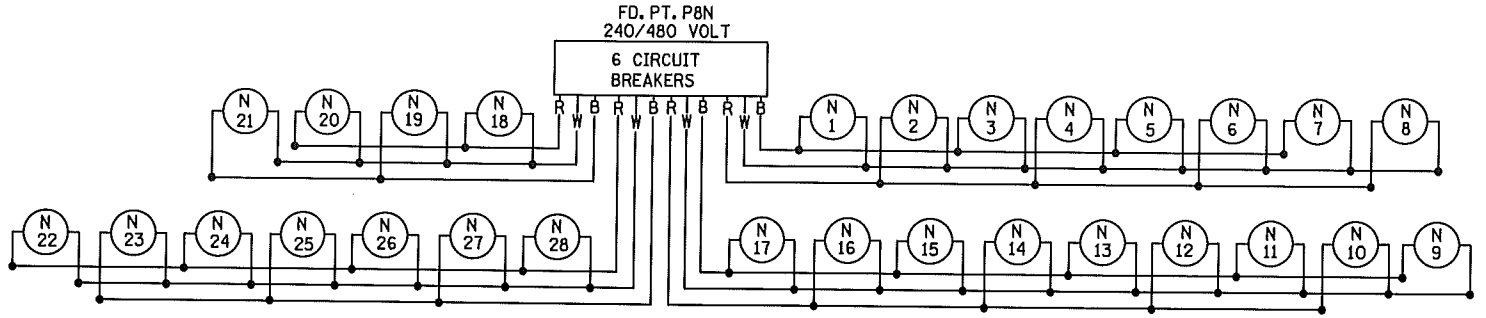


PLOTTED/REVISED: 12/6/2012

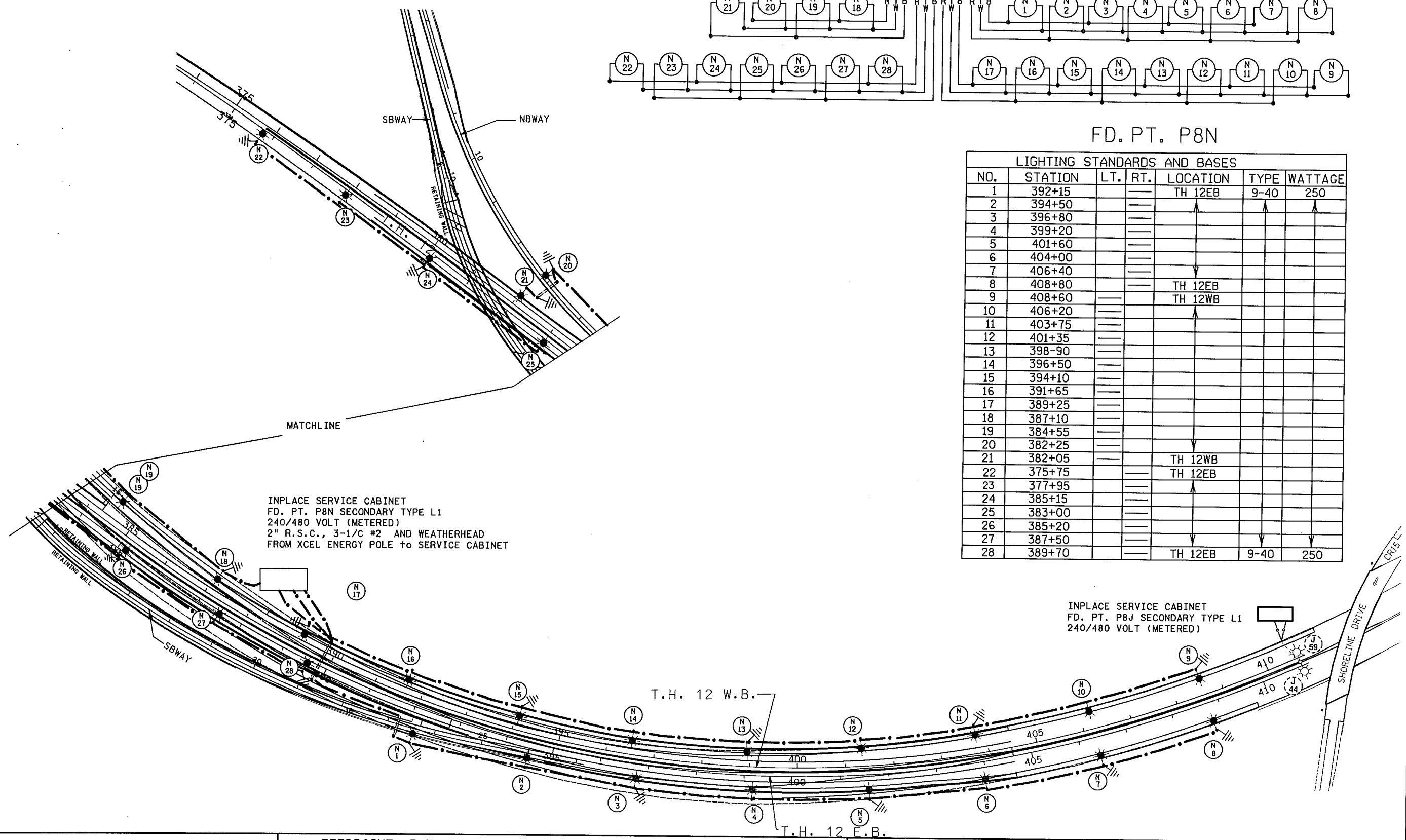
DISTRICT #: METRO  
 IPLOT NAME: SP2713-83db  
 PATH & FILENAME: IP\_PWP:00780150\SP2713-83db.dgn

B AND R DENOTE CURRENT CARRYING CONDUCTORS  
 W DENOTES NEUTRAL CONDUCTOR



FD. PT. P8N

LIGHTING STANDARDS AND BASES					
NO.	STATION	LT.	RT.	LOCATION	TYPE WATTAGE
1	392+15			TH 12EB	9-40 250
2	394+50				
3	396+80				
4	399+20				
5	401+60				
6	404+00				
7	406+40				
8	408+80			TH 12EB	
9	408+60			TH 12WB	
10	406+20				
11	403+75				
12	401+35				
13	398-90				
14	396+50				
15	394+10				
16	391+65				
17	389+25				
18	387+10				
19	384+55				
20	382+25				
21	382+05			TH 12WB	
22	375+75			TH 12EB	
23	377+95				
24	385+15				
25	383+00				
26	385+20				
27	387+50				
28	389+70			TH 12EB	9-40 250



BY	DATE	REVISIONS
PB	4/28/09	ADDED GROUND RODS
EK	12/6/12	ADDED POLES 22 THRU 28
DRAWN BY: NS		CKD BY: GB
		DATE:

FEEDPOINT: P8N  
 METER ADDRESS:  
 LOCATION: TH12 at WAYZATA  
 CERTIFIED BY \_\_\_\_\_ LIC. NO. 19863 DATE: 12/6/2012  
LICENSED PROFESSIONAL ENGINEER

**LIGHTING PLAN**  
 STATE PROJ. NO. 2713-83 (T.H.169) SHEET NO. 452 OF 486 SHEETS