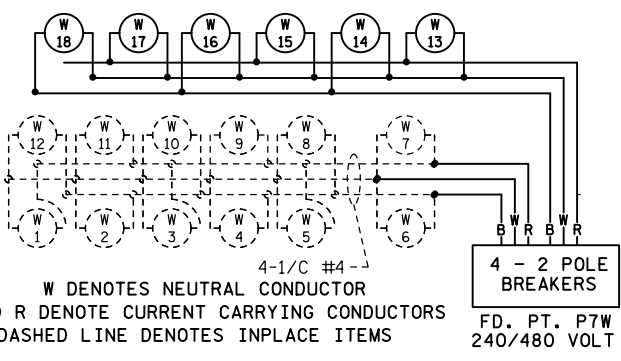
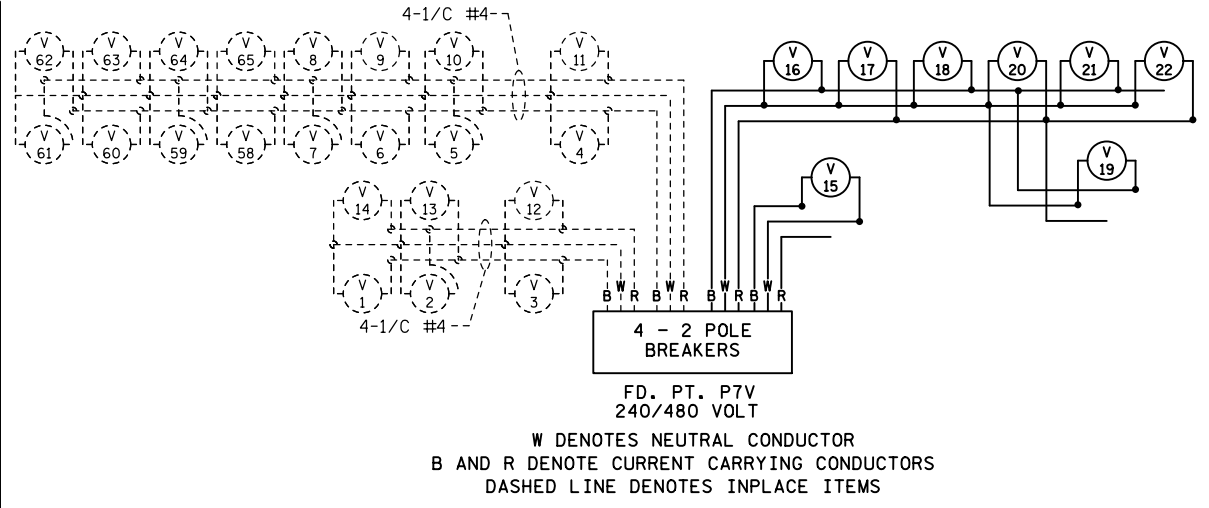


PLOTTED/REVISED: 2/13/2017

DISTRICT #: METRO
 I/PLOT NAME: 12713-112.11t.ab8
 PATH & FILENAME: IP_PWP-d1749652v2713-112.11t.ab.dgn

LEGEND

- LIGHTING UNIT
- INPLACE LIGHTING UNIT
- UNDERPASS LIGHT
- PERMANENT GROUND ROD (25 OHMS OR LESS)
- DIRECT BURIED CABLE 4 CONDUCTOR NO. 4
- INPLACE DIRECT BURIED CABLE
- FD. PT. CABINET
- 3" PVC (UNLESS OTHERWISE NOTED)
- INPLACE CONDUIT
- HANDHOLE
- INPLACE HANDHOLE
- LIGHTING UNIT IDENTIFIER

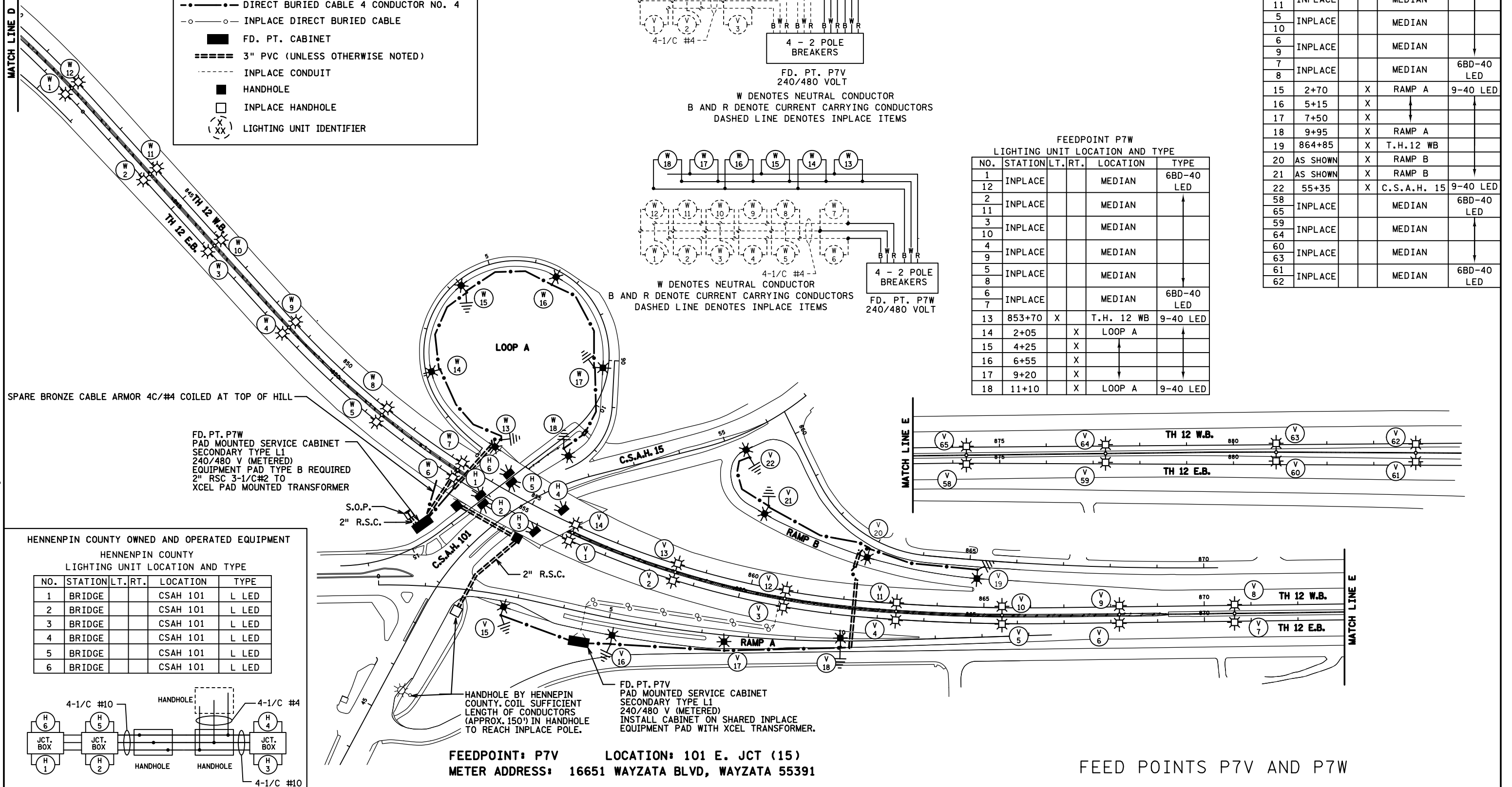


FEEDPOINT P7W
 LIGHTING UNIT LOCATION AND TYPE

NO.	STATION	LT.	RT.	LOCATION	TYPE
1				MEDIAN	6BD-40 LED
2				MEDIAN	
3				MEDIAN	
4				MEDIAN	
5				MEDIAN	
6				MEDIAN	
7				MEDIAN	6BD-40 LED
8				MEDIAN	6BD-40 LED
13	853+70	X		T.H. 12 WB	9-40 LED
14	2+05	X		LOOP A	
15	4+25	X			
16	6+55	X			
17	9+20	X			
18	11+10	X		LOOP A	9-40 LED

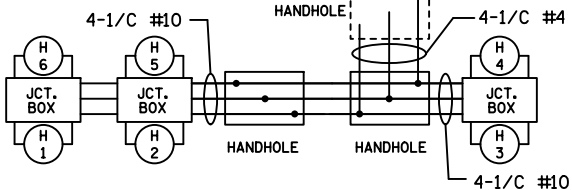
FEEDPOINT P7V
 LIGHTING UNIT LOCATION AND TYPE

NO.	STATION	LT.	RT.	LOCATION	TYPE
1	INPLACE			MEDIAN	6BD-40 LED
2	INPLACE			MEDIAN	
3	INPLACE			MEDIAN	
4	INPLACE			MEDIAN	
5	INPLACE			MEDIAN	
6	INPLACE			MEDIAN	
7	INPLACE			MEDIAN	6BD-40 LED
8	INPLACE			MEDIAN	6BD-40 LED
15	2+70	X		RAMP A	9-40 LED
16	5+15	X			
17	7+50	X			
18	9+95	X		RAMP A	
19	864+85	X		T.H. 12 WB	
20	AS SHOWN	X		RAMP B	
21	AS SHOWN	X		RAMP B	
22	55+35	X		C.S.A.H. 15	9-40 LED
58	INPLACE			MEDIAN	6BD-40 LED
59	INPLACE			MEDIAN	
64	INPLACE			MEDIAN	
60	INPLACE			MEDIAN	
63	INPLACE			MEDIAN	
61	INPLACE			MEDIAN	6BD-40 LED
62	INPLACE			MEDIAN	6BD-40 LED



HENNEPIN COUNTY OWNED AND OPERATED EQUIPMENT
 HENNEPIN COUNTY
 LIGHTING UNIT LOCATION AND TYPE

NO.	STATION	LT.	RT.	LOCATION	TYPE
1	BRIDGE			CSAH 101	L LED
2	BRIDGE			CSAH 101	L LED
3	BRIDGE			CSAH 101	L LED
4	BRIDGE			CSAH 101	L LED
5	BRIDGE			CSAH 101	L LED
6	BRIDGE			CSAH 101	L LED



FEEDPOINT: P7V LOCATION: 101 E. JCT (15)
 METER ADDRESS: 16651 WAYZATA BLVD, WAYZATA 55391

FEED POINTS P7V AND P7W

BY	DATE	REVISIONS	FEEDPOINT: P7W LOCATION: 101 E. JCT (15)	LIGHTING PLAN
TL	2/13/17	CONSTRUCTION ASBUILT	METER ADDRESS:	
DRAWN BY: SJK CKD BY: PB			CERTIFIED BY <i>Michael P. Libinsky</i> LIC. NO. 19863 DATE: 2/13/2017	STATE PROJ. NO. 2713-112 (T.H. 12) SHEET NO. 14 OF 18 SHEETS