

MATCHLINE  
SEE SHEET 11

BET. 23rd ST. & S. FR. RD. ON T.H. 100

State Proj. No. 2789-74 (T.H. 394=10)  
2735-150 (T.H. 100=130)

Sheet No. 10 of 15 Sheets

**FD. PT. P5X**  
**LIGHTING STANDARDS & BASES**

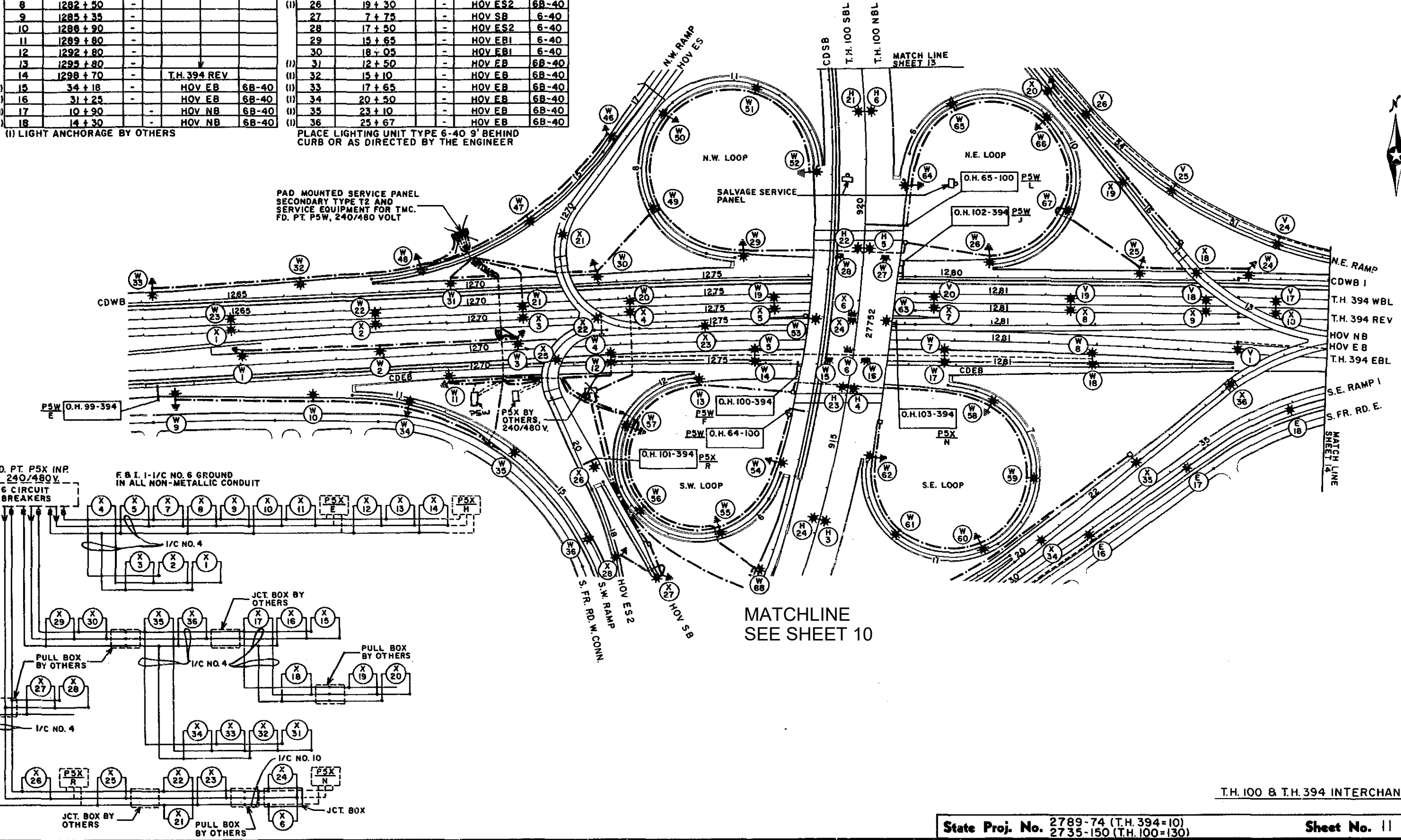
NO.	STATION	LT.	RT.	LOCATION	TYPE
1	1265 + 85	-	-	T.H. 394 REV	
2	1267 + 90	-	-		
3	1271 + 00	-	-		
4	1273 + 25	-	-		
5	1276 + 25	-	-		
6	1277 + 90	-	-		L
7	1279 + 65	-	-		
8	1282 + 50	-	-		
9	1285 + 35	-	-		
10	1286 + 90	-	-		
11	1289 + 80	-	-		
12	1292 + 80	-	-		
13	1295 + 80	-	-		
14	1298 + 70	-	-	T.H. 394 REV	
(1)	15	34 + 18	-	HOV EB	6B-40
(1)	16	31 + 25	-	HOV EB	6B-40
(1)	17	10 + 90	-	HOV NB	6B-40
(1)	18	14 + 30	-	HOV NB	6B-40

**FD. PT. P5X**  
**LIGHTING STANDARDS & BASES**

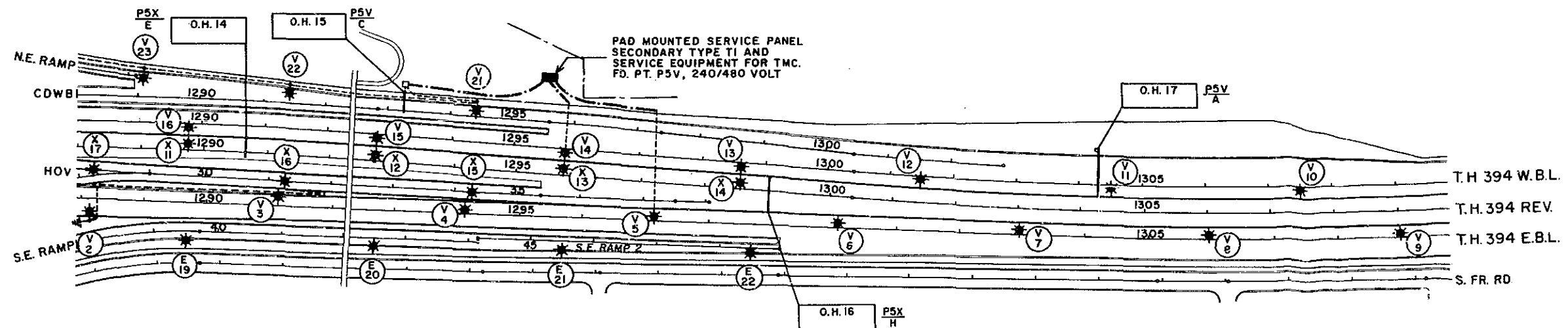
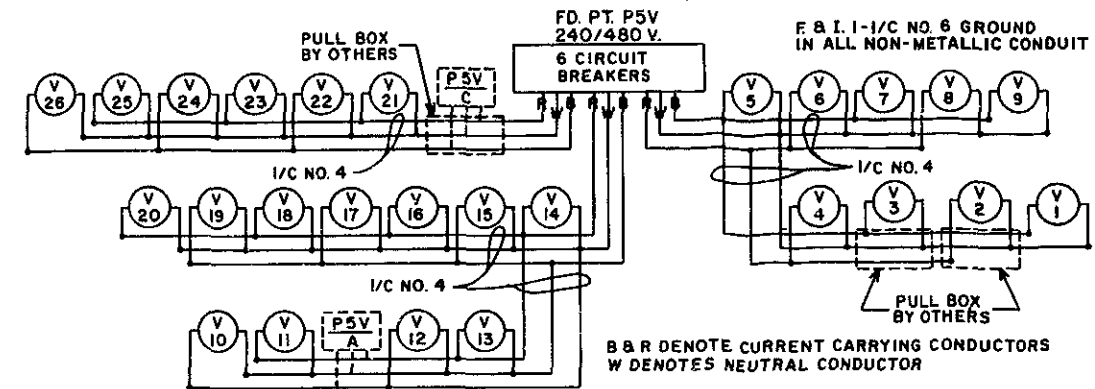
NO.	STATION	LT.	RT.	LOCATION	TYPE
19	16 + 80	-	-	HOV NB	6-40
20	19 + 30	-	-	HOV NB	6-40
(1)	21	1270 + 45	-	HOV ES	6B-40
(1)	22	1272 + 55	-	HOV ES	6B-40
(1)	23	1274 + 80	-	HOV ES	6B-40
(1)	24	1277 + 90	-	HOV ES	L
(1)	25	22 + 00	-	HOV ES2	6B-40
(1)	26	19 + 30	-	HOV ES2	6B-40
(1)	27	7 + 75	-	HOV SB	6-40
(1)	28	17 + 50	-	HOV ES2	6-40
(1)	29	15 + 65	-	HOV EBI	6-40
(1)	30	18 + 05	-	HOV EBI	6-40
(1)	31	12 + 50	-	HOV EB	6B-40
(1)	32	15 + 10	-	HOV EB	6B-40
(1)	33	17 + 65	-	HOV EB	6B-40
(1)	34	20 + 50	-	HOV EB	6B-40
(1)	35	23 + 10	-	HOV EB	6B-40
(1)	36	25 + 67	-	HOV EB	6B-40

(1) LIGHT ANCHORAGE BY OTHERS

PLACE LIGHTING UNIT TYPE 6-40 9' BEHIND CURB OR AS DIRECTED BY THE ENGINEER



T.H. 100 & T.H. 394 INTERCHANGE



FD. PT. P5V

LIGHTING STANDARDS & BASES					
NO.	STATION	LT.	RT.	LOCATION	TYPE
(1) 1	1286 + 00	-	-	T.H. 394 E.B.L.	9-49
2	1288 + 10	-	-		9-49
(1) 3	1291 + 10	-	-		6B-49
4	1294 + 10	-	-		
5	1297 + 10	-	-		
6	1300 + 05	-	-		
7	1302 + 95	-	-		
8	1305 + 95	-	-		
9	1309 + 00	-	-	T.H. 394 E.B.L.	
10	1307 + 50	-	-	T.H. 394 W.B.L.	
11	1304 + 50	-	-		
12	1301 + 50	-	-		6B-49
(1) 13	1298 + 70	-	-	T.H. 394 W.B.L.	6BD-49

(1) LIGHT ANCHORAGE BY OTHERS  
PLACE LIGHTING UNIT TYPE 9-49 11' BEHIND CURB OR AS DIRECTED BY THE ENGINEER.

FD. PT. P5V

LIGHTING STANDARDS & BASES					
NO.	STATION	LT.	RT.	LOCATION	TYPE
(1) 14	1295 + 80	-	-	T.H. 394 W.B.L.	6BD-49
15	1292 + 80	-	-		
16	1289 + 80	-	-		
17	1286 + 90	-	-		
18	1285 + 35	-	-		
19	1282 + 50	-	-		
20	1279 + 65	-	-	T.H. 394 W.B.L.	6BD-49
21	1294 + 40	-	-	CDWB I	6-40
22	1291 + 40	-	-	CDWB I	
23	1289 + 10	-	-	CDWB I	
24	5C + 00	-	-	N.E. RAMP	
25	52 + 50	-	-	N.E. RAMP	
(1) 26	54 + 95	-	-	N.E. RAMP	6-40

(1) PLACE LIGHTING UNIT TYPE 6-40 9' BEHIND CURB OR AS DIRECTED BY THE ENGINEER.

BET. T.H. 100 & STATION 1310 ON T.H. 394