

FD. PT. P5T

LIGHTING STANDARDS & BASES					
NO.	STATION	LT.	RT.	LOCATION	TYPE
1-5	FUTURE				
(7) 6	BR. 27756			T.H. 394 E.B.L.	L
(7) 7	BR. 27756			T.H. 394 E.B.L.	L
(6) 8	1338 + 40	-		T.H. 394 REV.	680-49
(6) 9	1341 + 55	-		T.H. 394 REV.	680-49
(6) 10	1344 + 65	-			
(6) 11	1347 + 75	-			
(6) 12	1350 + 85	-			
(6) 13	1353 + 95	-			
(6) 14	1357 + 05	-			
(6) 15	1360 + 15	-			
(6) 16	1358 + 60	-		T.H. 394 REV.	68-49

(6) ANCHORAGE INR. F B I 250 WATT HIGH PRESSURE SODIUM LIGHTING UNIT

FD. PT. P5T

LIGHTING STANDARDS & BASES					
NO.	STATION	LT.	RT.	LOCATION	TYPE
(6) 17	1355 + 50	-		T.H. 394 REV.	68-49
(6) 18	1352 + 40	-			
(6) 19	1349 + 30	-			
(6) 20	1346 + 20	-			
(6) 21	1343 + 10	-			
(6) 22	1340 + 00	-			68-49
(7) 24	AS SHOWN			T.H. 394 REV.	L
25	FUTURE				
26	AS SHOWN			T.H. 394 W.B.L.	L
(7) 27	AS SHOWN			T.H. 394 W.B.L.	L
29-33	FUTURE				

(7) 200 WATT HIGH PRESSURE SODIUM UNDERPASS LIGHT

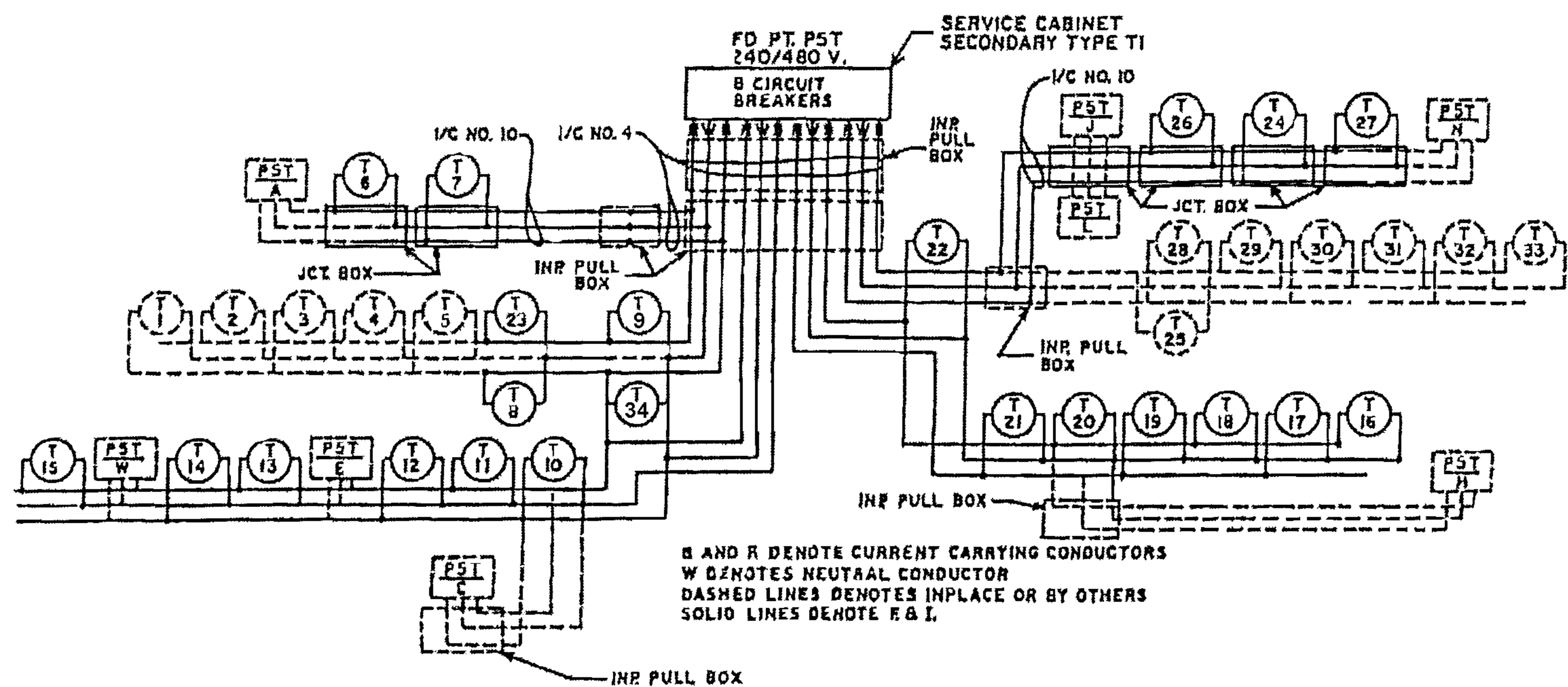
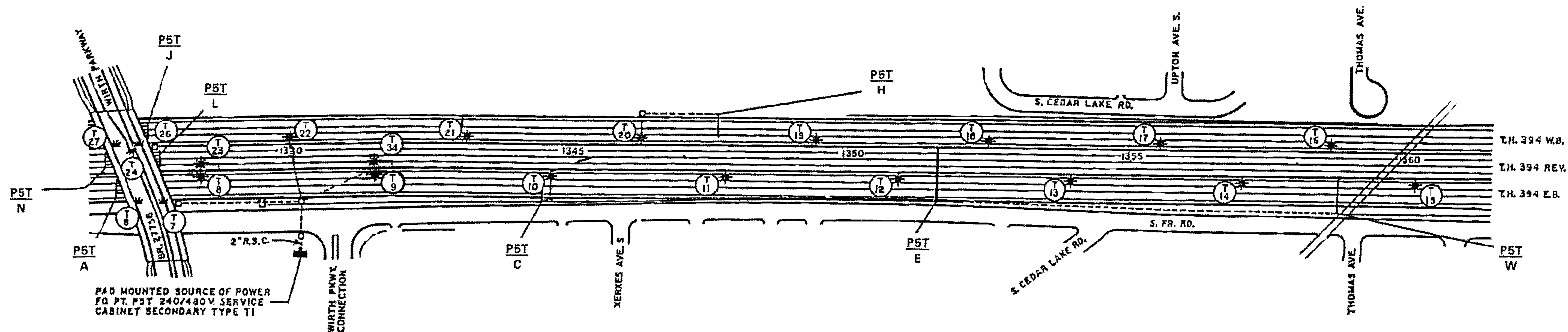


EXHIBIT 93C
T.H. 394
BET. WIRTH PKWY. & PENN AVE.
IN MINNEAPOLIS
N.S.P.

FD. PT. P5T

State Proj. No. 2789-56 (T.H. 394-107)

Sheet No. 2 of 3 Sheets

SHEET TOTAL

12 - 250 WATT HIGH PRESSURE SODIUM LIGHTING UNITS

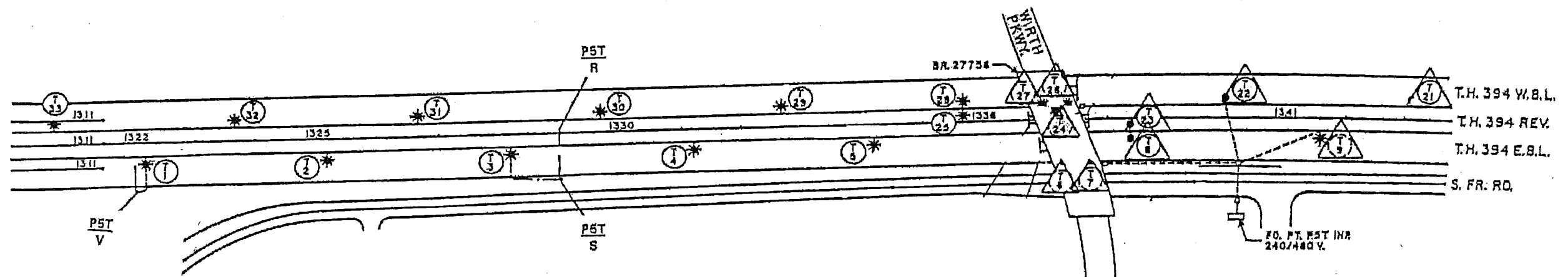
GRAND TOTAL

42 - 250 WATT HIGH PRESSURE SODIUM LIGHTING UNITS

13 - 200 WATT HIGH PRESSURE SODIUM LIGHTING UNITS

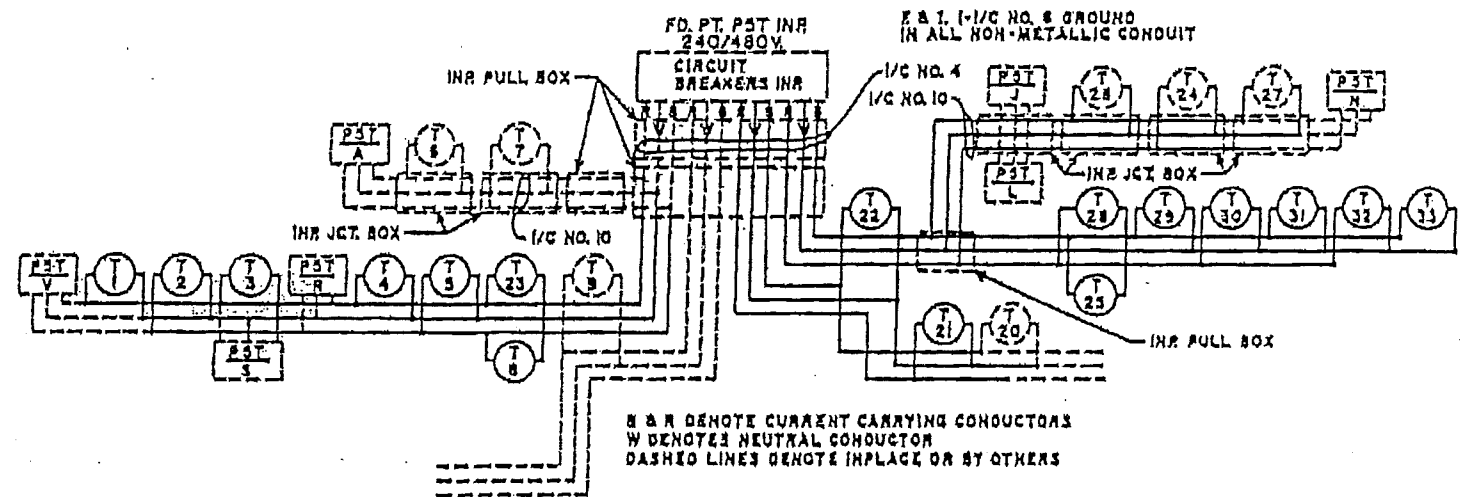
10 - 200 WATT HIGH PRESSURE SODIUM UNDERPASS LIGHTS

NOTE
 △ THESE LIGHTS ARE ON SHEET 2 OF THIS EXHIBIT,



FD. PT. P5T LIGHTING STANDARDS & BASES					
NO	STATION	LT	RT	LOCATION	TYPE
(1)	1322 + 20	-	-	T.H. 394 REV.	68-49
(1)	1323 + 20	-	-		
(1)	1328 + 20	-	-		
(1)	1331 + 20	-	-		
(1)	1334 + 20	-	-	T.H. 394 REV.	68-49
	6	INPLACE	-	T.H. 394 E.B.L.	L
	7	INPLACE	-	T.H. 394 E.B.L.	L
(1)(4)	8			T.H. 394 REV.	680-49
	9	INPLACE			
(10-20)	10-20	INPLACE			
(1)(4)	21				68-49
(1)(4)	22				68-49
	24	INPLACE	-	T.H. 394 REV.	L
	26	INPLACE	-	T.H. 394 W.B.L.	L
	27	INPLACE	-	T.H. 394 W.B.L.	L
(1)	28			T.H. 394 REV.	680-49
(1)	29				68-49
(1)	30				
(1)	31				
(1)	32				
(1)	33			T.H. 394 REV.	68-49

(1) LIGHT ANCHORAGE BY OTHERS
 (4) INSTALL LIGHTING UNIT
 L DENOTES 200 H.P.S. UNDERPASS LIGHTS



B & N DENOTE CURRENT CARRYING CONDUCTORS
 W DENOTES NEUTRAL CONDUCTOR
 DASHED LINES DENOTE INPLACE OR BY OTHERS

EXHIBIT 93C
T.H. 394 & WIRTH PKWY.
IN MINNEAPOLIS
N.S.P.

FD. PT. P5T

State Proj. No. 2789-74 (T.H. 394+10)
 2735-150 (T.H. 100+130)

Sheet No. 3 of 3 Sheets