

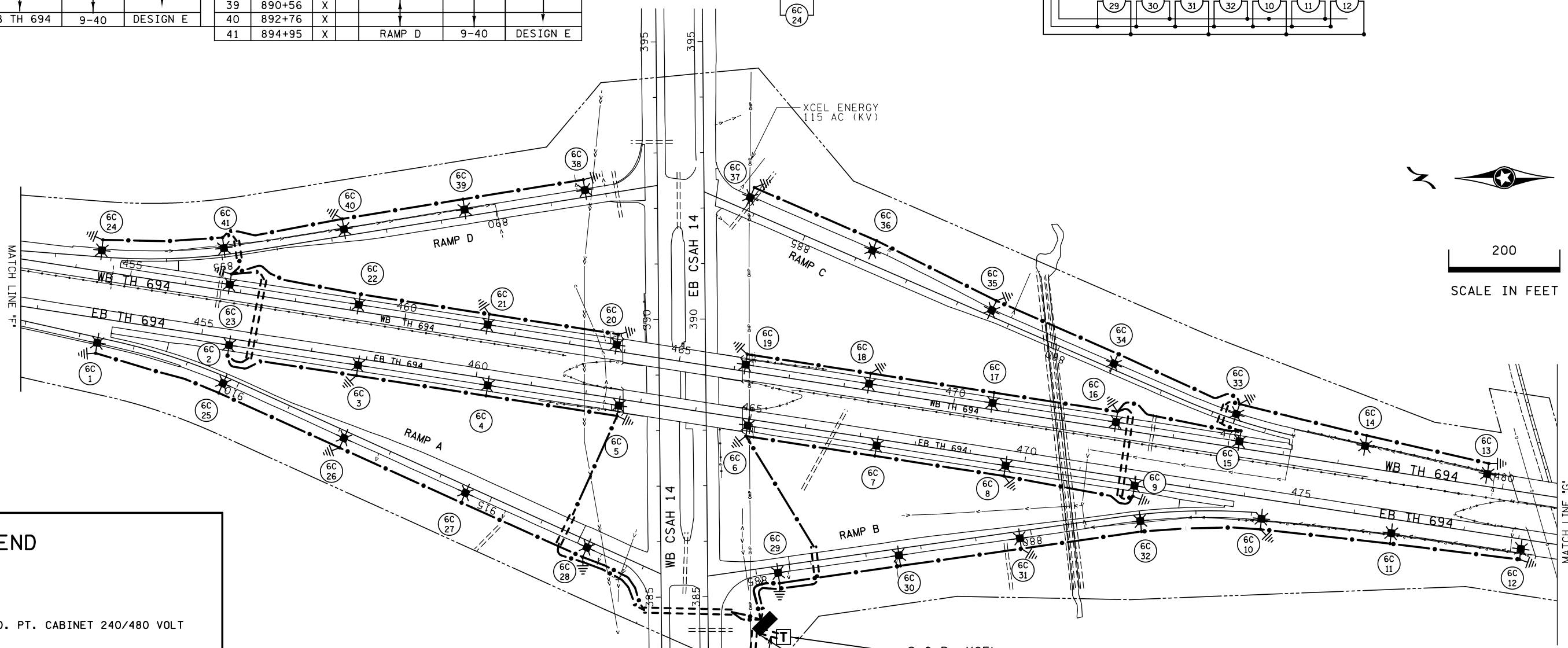
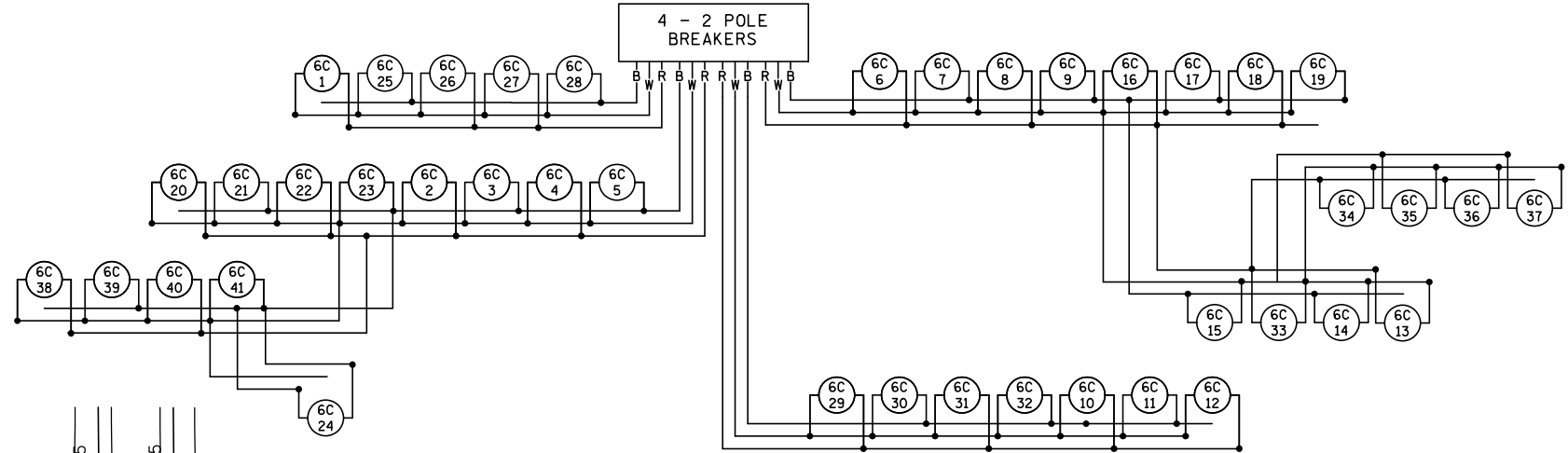
PLOTTED/REVISED: 8-JAN-2020

I/PLOT NAME: 8286-90/11.0  
PATH & FILENAME: Projects\DM\_R0S\694\8286\090\TrafficLighting\8286-90\_11.0.dgn

FEEDPOINT N06C  
LIGHTING UNIT LOCATION AND TYPE

NO.	STATION	LT.	RT.	LOCATION	TYPE	FOUNDATION	NO.	STATION	LT.	RT.	LOCATION	TYPE	FOUNDATION
1	907+33		X	EB TH 694	9-40	DESIGN E	21	461+49	X		WB TH 694	9-40	DESIGN E
2	455+52		X				22	459+14	X		WB TH 694		
3	457+87		X				23	456+79	X		WB TH 694		
4	460+23		X				24	897+18	X		WB TH 694		
5	462+62		X				25	909+74		X	RAMP A		
6	465+97		X				26	912+14		X			
7	467+32		X				27	914+54		X			
8	469+67		X				28	916+65		X	RAMP A		
9	472+02		X				29	885+39		X	RAMP B		
10	884+20		X				30	883+59		X			
11	476+70		X				31	879+79		X			
12	479+09		X	EB TH 694			32	881+98		X	RAMP B		
13	474+75	X		WB TH 694			33	876+49	X		RAMP C		
14	477+50	X					34	878+98	X				
15	475+25	X					35	881+39	X				
16	472+94	X					36	883+78	X				
17	470+69	X					37	886+18	X		RAMP C		
18	468+44	X					38	888+36	X		RAMP D		
19	466+19	X					39	890+56	X				
20	463+88	X		WB TH 694	9-40	DESIGN E	40	892+76	X				
							41	894+95	X		RAMP D	9-40	DESIGN E

W DENOTES NEUTRAL CONDUCTOR  
B AND R DENOTE CURRENT CARRYING CONDUCTORS  
FD. PT. N06C  
240/480 VOLT



LEGEND

- LIGHTING UNIT
- PAD MOUNTED FD. PT. CABINET 240/480 VOLT
- DIRECT BURIED LIGHTING CABLE 4/C 4 AWG
- PERMANENT GROUND ROD (25 OHMS OR LESS)
- 3" PVC (UNLESS NOTED OTHERWISE)
- LIGHTING UNIT IDENTIFIER

S.O.P. XCEL  
FD. PT. N06C  
PAD MOUNTED SERVICE CABINET  
SECONDARY TYPE L1  
240/480 V (METERED)  
EQUIPMENT PAD TYPE B REQUIRED  
2" R.S.C. 3- 1/C #2 TO XCEL  
PAD MOUNTED TRANSFORMER.

BY	DATE	REVISIONS

DRAWN BY: JC      CKD BY: PB

FEEDPOINT: N06C      LOCATION: CSAH 14  
METER ADDRESS: 7305 HWY 14 OAKDALE 55128

CERTIFIED BY Michael P. Dubinsky LIC. NO. 19863      DATE: 8-JAN-2020  
LICENSED PROFESSIONAL ENGINEER

**LIGHTING PLAN**

STATE PROJ. NO. 8286-90 (T.H. 694) SHEET NO. 10 OF 19 SHEETS

## Electric Service Information Form For Roadway Lighting Systems

Project Number: **SP 8286-90**

Contractor: **Egan Company**

Date: **7/1/2021**

System	MN/DOT Feed Point Number	Meter Address	Transformer Primary Fuse Size and Type	Electric Utility Transformer Size In KVA	Transformer Internal Impedance Utility Fault Current	Transformer Secondary Voltage Line to Line and Line to Neutral	Size of Conductors In American Wire Gauge (AWG)	Length of conductors in feet from transformer connection to meter socket connection.			Calculated Available Fault Current at the line Side of the Meter Socket	Service Cabinet Main Circuit Breaker Size in AMPS
								L1 =	L2 =	Neutral		
	N06C	7305 Hwy 14 Oakdale	NA	75KVA	14,800 A	240/480	#2 awg	8	8	8	13,683	100 A
	N06E	7201 Stillwater Blvd N. Oakdale	NA	75KVA	14,800 A	240/480	#2 awg	50	50	50	9,800	100 A
	N06R	7310 15Th St N Oakdale	NA	75KVA	14,800 A	240/480	#2 awg	45	45	45	10,143	100 A
								L1 =	L2 =	Neutral		
								L1 =	L2 =	Neutral		

12-SL

NEC Article 110.24

S.P. 8286-90 (TH 694)  
LIGHTING SYSTEM  
JANUARY 6, 2020