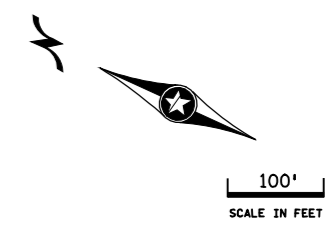
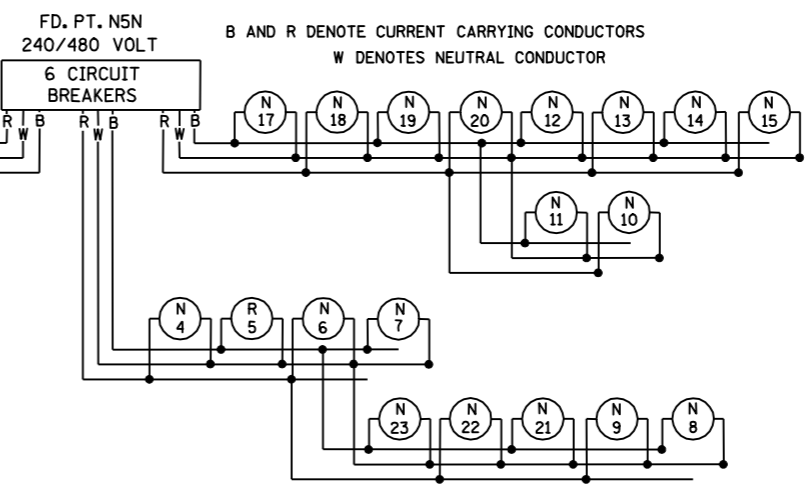
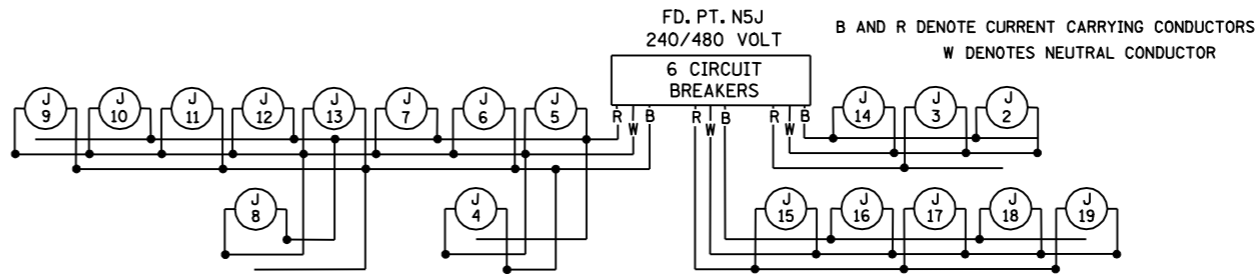


SEE LEGEND  
SHEET 6



FD. PT. N5J

LIGHTING STANDARDS AND BASES					
NO.	STATION	LT.	RT.	LOCATION	WATTAGE
1	ELIMINATED				
2	92+15			T.H. 36 W.B.	9-40
3	89+75				
4	87+70				
5	85+30				
6	82+85				
7	80+45				
8	78+25			T.H. 36 W.B.	
9	1006+70			T.H. 694 W.B.	
10	1007+90			T.H. 694 W.B.	
11	3+60			LOOP 4	
12	5+90			LOOP 4	
13	8+20			LOOP 4	
14	2+05			RAMP 4	
15	4+55				
16	7+00				
17	9+35				
18	11+75				
19	14+15			RAMP 4	9-40



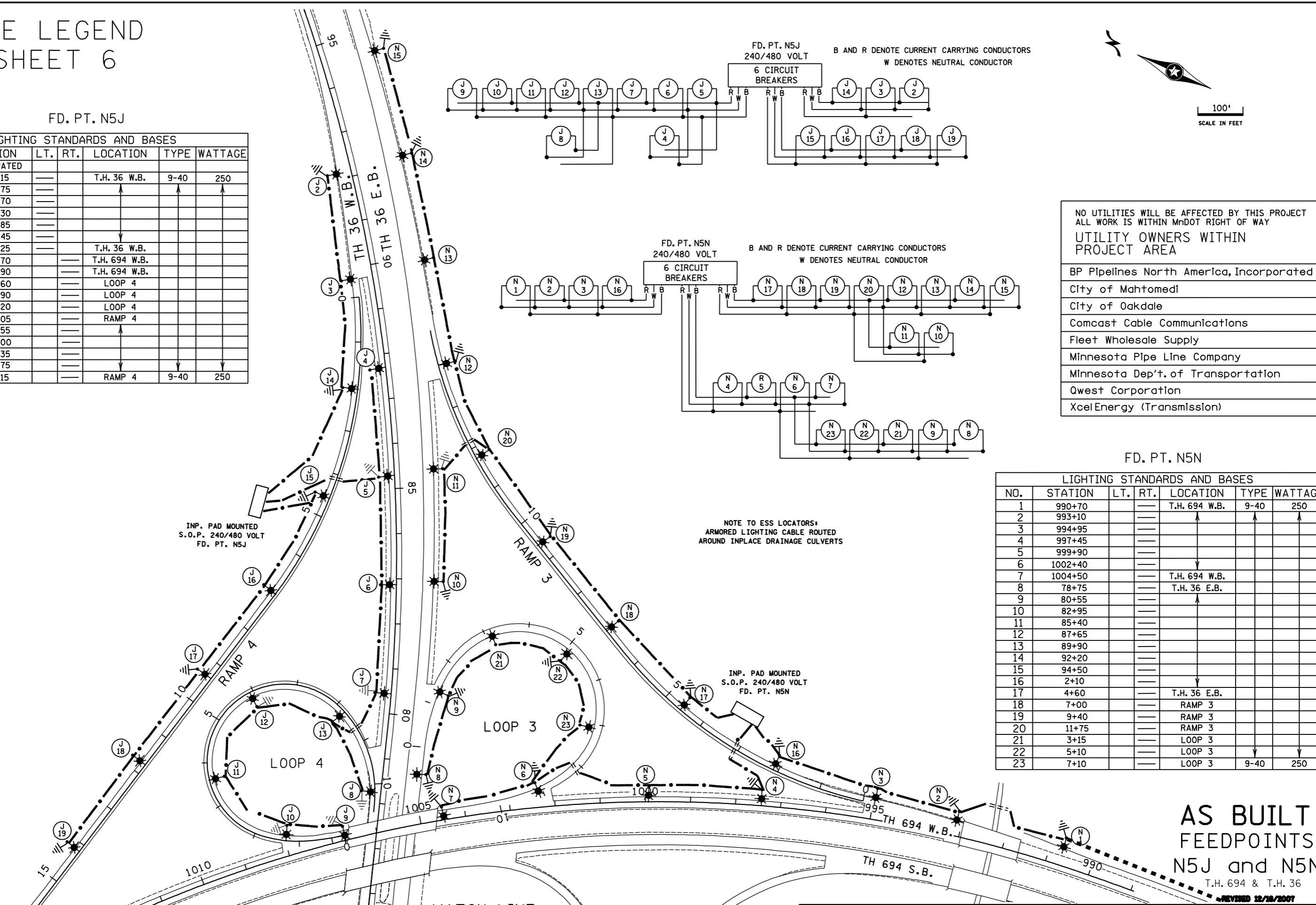
NO UTILITIES WILL BE AFFECTED BY THIS PROJECT  
ALL WORK IS WITHIN MnDOT RIGHT OF WAY

UTILITY OWNERS WITHIN PROJECT AREA

- BP Pipelines North America, Incorporated
- City of Mahtomed
- City of Oakdale
- Comcast Cable Communications
- Fleet Wholesale Supply
- Minnesota Pipe Line Company
- Minnesota Dep't. of Transportation
- Qwest Corporation
- XcelEnergy (Transmission)

FD. PT. N5N

LIGHTING STANDARDS AND BASES					
NO.	STATION	LT.	RT.	LOCATION	WATTAGE
1	990+70			T.H. 694 W.B.	9-40
2	993+10				
3	994+95				
4	997+45				
5	999+90				
6	1002+40				
7	1004+50			T.H. 694 W.B.	
8	78+75			T.H. 36 E.B.	
9	80+55				
10	82+95				
11	85+40				
12	87+65				
13	89+90				
14	92+20				
15	94+50				
16	2+10				
17	4+60			T.H. 36 E.B.	
18	7+00			RAMP 3	
19	9+40			RAMP 3	
20	11+75			RAMP 3	
21	3+15			LOOP 3	
22	5+10			LOOP 3	
23	7+10			LOOP 3	9-40



NOTE TO ESS LOCATORS:  
ARMORED LIGHTING CABLE ROUTED  
AROUND INPLACE DRAINAGE CULVERTS

INP. PAD MOUNTED  
S.O.P. 240/480 VOLT  
FD. PT. N5J

INP. PAD MOUNTED  
S.O.P. 240/480 VOLT  
FD. PT. N5N

AS BUILT  
FEEDPOINTS  
N5J and N5N  
T.H. 694 & T.H. 36  
REVISED 12/18/2007

MATCH LINE

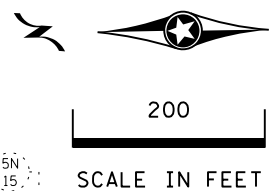
LIGHTING PLAN

DISTRICT #: METRO  
PLOT NAME: as built n5j\_n5n  
PATH & FILENAME: S:\TRAFFIC\LIGHTING\Plans\694-8286-62\18286\_102.dgn

# LEGEND

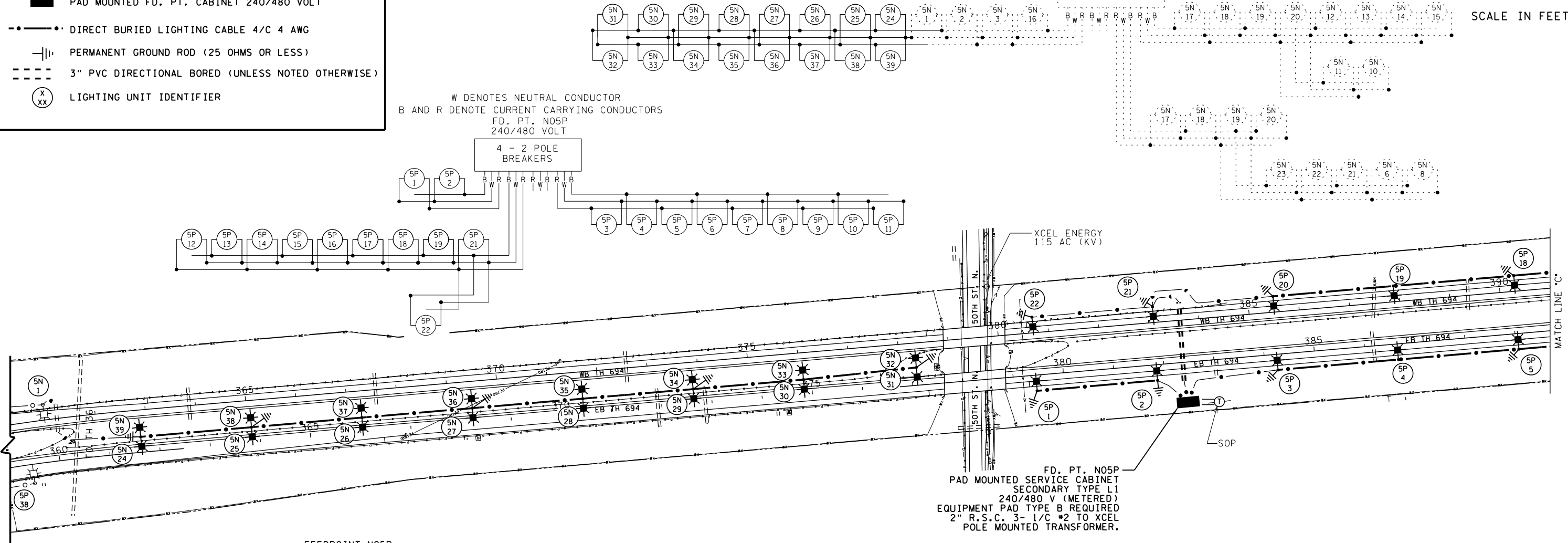
- LIGHTING UNIT
- PAD MOUNTED FD. PT. CABINET 240/480 VOLT
- DIRECT BURIED LIGHTING CABLE 4/C 4 AWG
- PERMANENT GROUND ROD (25 OHMS OR LESS)
- 3" PVC DIRECTIONAL BORED (UNLESS NOTED OTHERWISE)
- LIGHTING UNIT IDENTIFIER

DASHED LINES DENOTE INPLACE ITEMS  
 W DENOTES NEUTRAL CONDUCTOR  
 B AND R DENOTE CURRENT CARRYING CONDUCTORS  
 FD. PT. N05N  
 240/480 VOLT



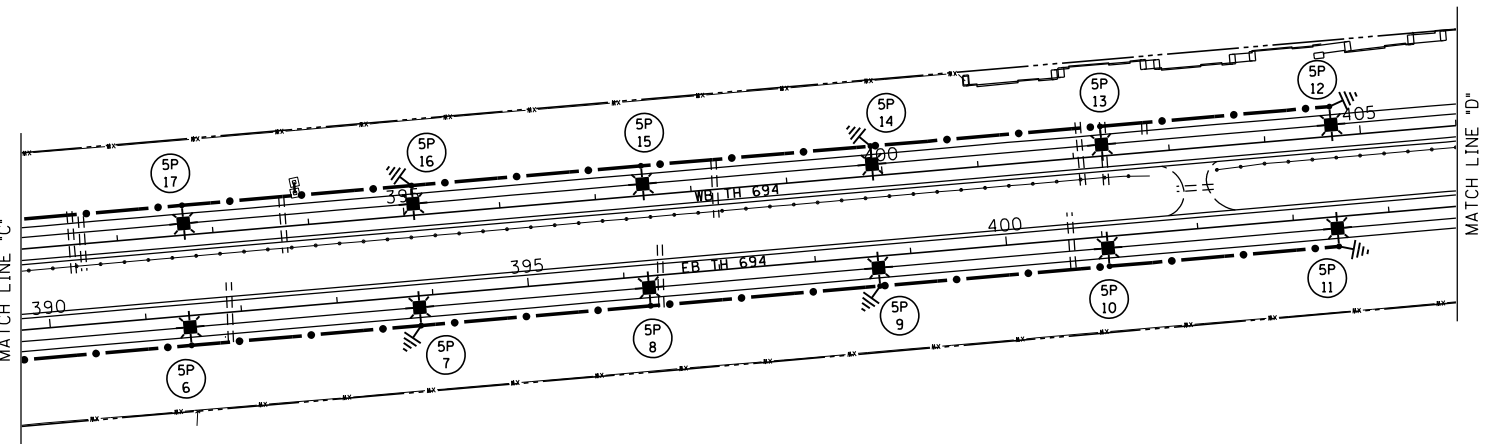
W DENOTES NEUTRAL CONDUCTOR  
 B AND R DENOTE CURRENT CARRYING CONDUCTORS  
 FD. PT. N05P  
 240/480 VOLT

4 - 2 POLE BREAKERS



FEEDPOINT N05P  
 LIGHTING UNIT LOCATION AND TYPE

NO.	STATION	LT.	RT.	LOCATION	TYPE	FOUNDATION	NO.	STATION	LT.	RT.	LOCATION	TYPE	FOUNDATION
1	362+90	X		EB TH 694	9D-40	DESIGN E	15	393+85		X	EB TH 694	9-40	DESIGN E
38							16	396+25		X			
2	365+11	X					17	398+65		X			
37							18	401+05		X			
3	367+30	X					19	403+46		X	EB TH 694		
36							20	404+70	X		WB TH 694		
4	369+51	X					21	402+30	X				
35							22	399+90	X				
5	371+72	X					23	397+50	X				
34							24	395+11	X				
6	373+93	X					25	392+70	X				
33							26	390+30	X				
7	376+13	X					27	387+90	X				
32							28	385+50	X				
8	378+37	X			9D-40		29	383+10	X				
31							30	380+70	X		WB TH 694	9-40	DESIGN E
9	379+45		X		9-40								
10	381+84		X										
11	384+26		X										
12	386+66		X										
13	389+05		X										
14	391+45		X	EB TH 694	9-40	DESIGN E							



PLOT NAME: constructino\_changes  
 PATH & FILENAME: Projects\DM\_R0S\694\8286\090\Traffic\Lighting\constructino\_changes.dgn  
 PLOTTED/REVISED: 16-FEB-2021

FEEDPOINT: N05N LOCATION: T.H. 36  
 METER ADDRESS: 7300 HIGHWAY 36E, PINE SPRINGS, MN 55115

FEEDPOINT: N05P LOCATION: 50 TH ST  
 METER ADDRESS: 7299 50TH ST N. OAKDALE, MN 55128

## LIGHTING PLAN

CERTIFIED BY L.I.C. NO. 19863 DATE: 16-FEB-2021

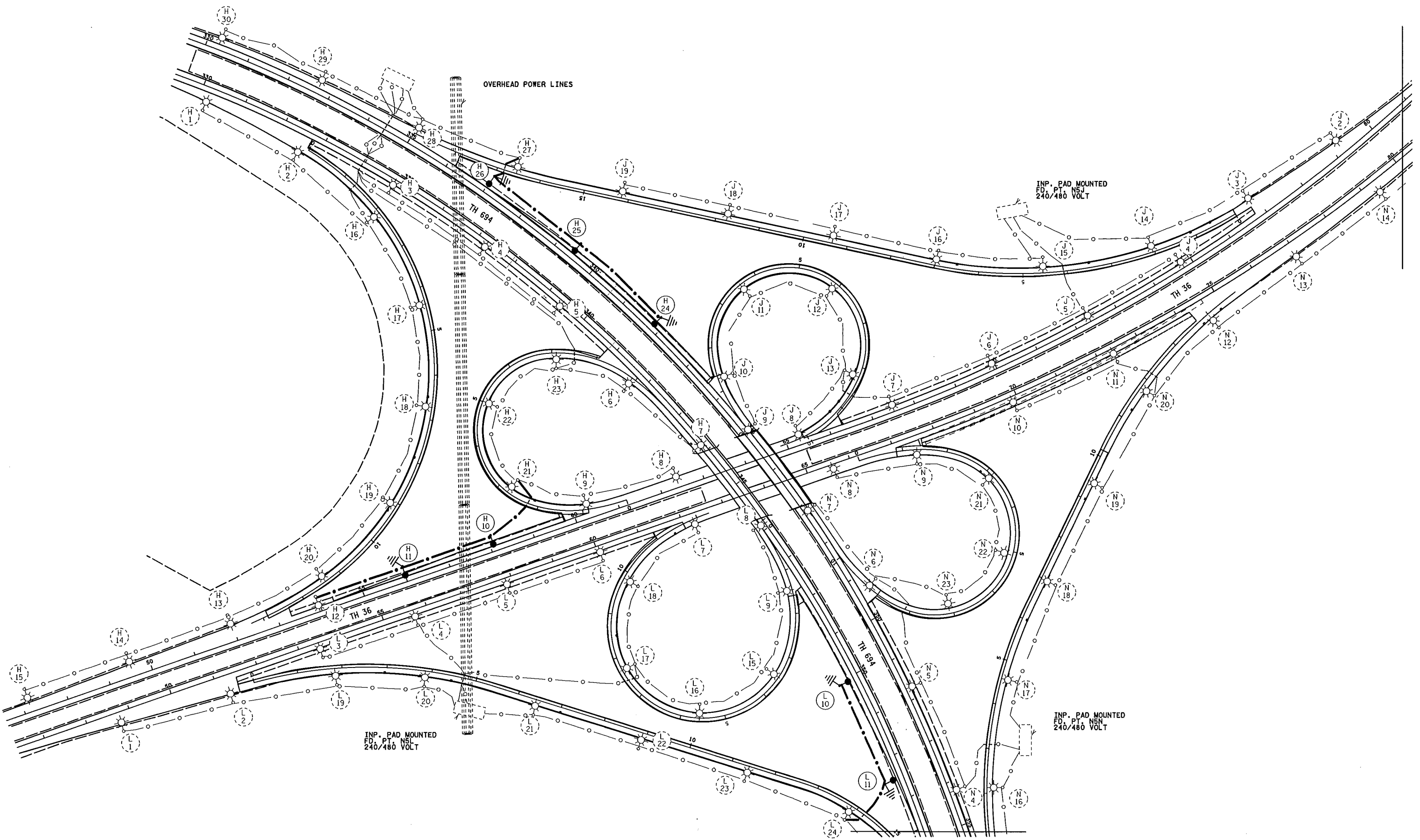
STATE PROJ. NO. 8286-90 (T.H. 694) SHEET NO. 8R OF 19 SHEETS

DRAWN BY: JC CKD BY: PB

SEE LEGEND SHEET 7

PLOTTED/REVISED: 5/19/2011

DISTRICT #: METRO  
 IPLOT NAME: 16286-5611  
 PATH & FILENAME: IP\_PWP-d\137186-4\6286-56.dgn



BY	DATE	REVISIONS	FEEDPOINT: N5H, N5J, N5L, & N5N	LOCATION: T.H. 694 & T.H. 36.	<b>LIGHTING PLAN</b>
			METER ADDRESS:		
DRAWN BY: PB	CKD BY: GB	DATE:	CERTIFIED BY: <i>Michael P. Liburdy</i>	LIC. NO. 19863	DATE: 5/19/2011
			STATE PROJ. NO. 6286-56 (T.H. 694)		SHEET NO. L11 OF L11 SHEETS