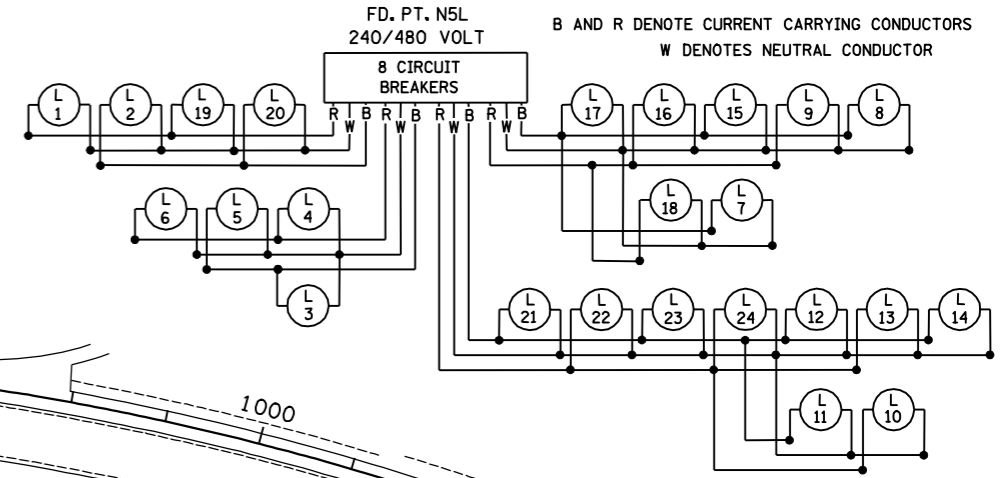
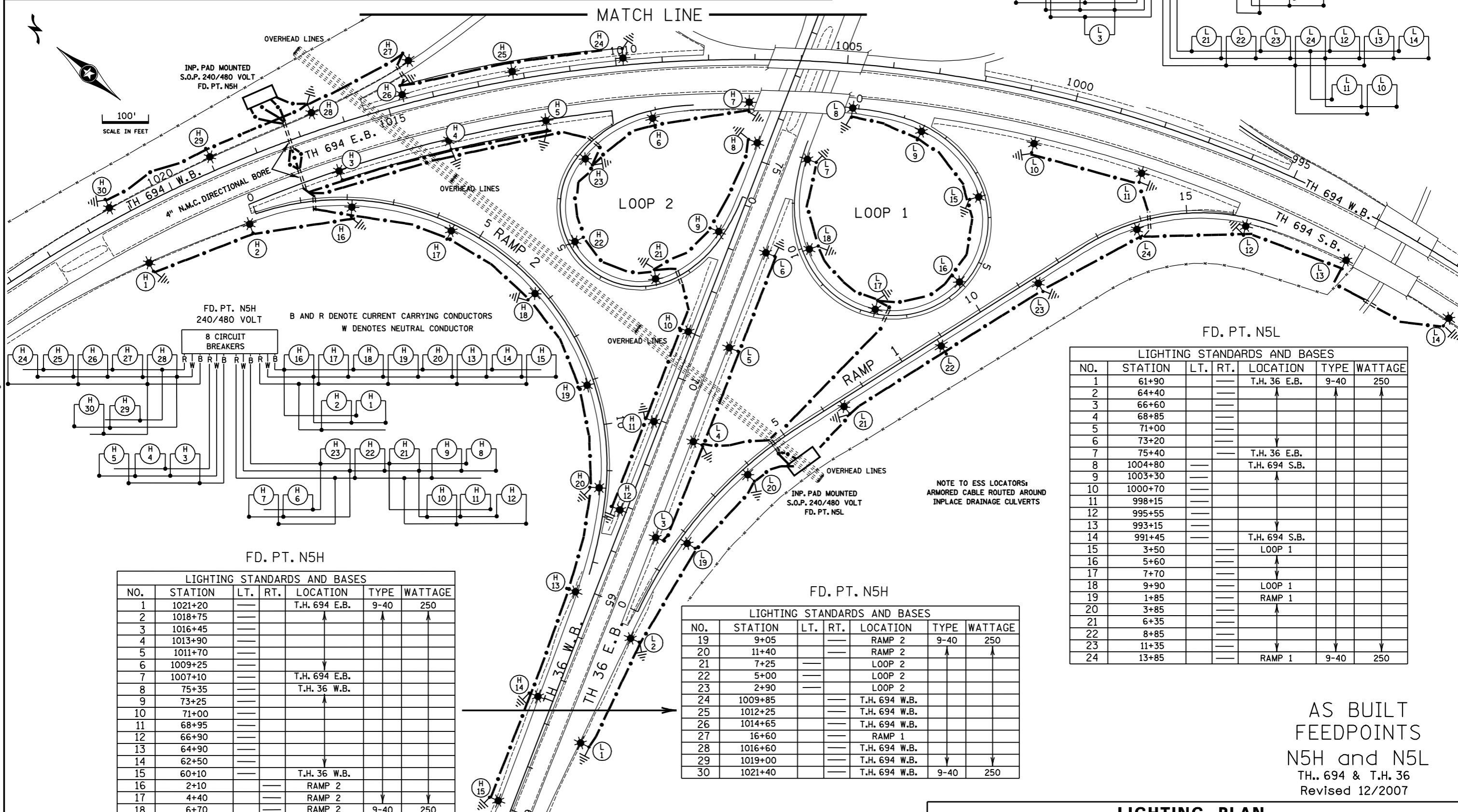


# LEGEND

- HIGH PRESSURE SODIUM LIGHTING UNIT
- 3" NON-METALIC CONDUIT (DIRECTIONAL BORE) UNLESS OTHERWISE NOTED
- INPLACE PAD MOUNTED S.O.P. 240/480 VOLT
- ARMORED CABLE 4 CONDUCTOR NO. 4
- PERMANENT GROUND ROD (25 OHMS OR LESS)



PLOTTED/REVISED: 12/20/2007



FD. PT. N5L

LIGHTING STANDARDS AND BASES						
NO.	STATION	LT.	RT.	LOCATION	TYPE	WATTAGE
1	61+90			T.H. 36 E.B.	9-40	250
2	64+40					
3	66+60					
4	68+85					
5	71+00					
6	73+20					
7	75+40			T.H. 36 E.B.		
8	1004+80			T.H. 694 S.B.		
9	1003+30					
10	1000+70					
11	998+15					
12	995+55					
13	993+15					
14	991+45			T.H. 694 S.B.		
15	3+50			LOOP 1		
16	5+60					
17	7+70					
18	9+90			LOOP 1		
19	1+85			RAMP 1		
20	3+85					
21	6+35					
22	8+85					
23	11+35					
24	13+85			RAMP 1	9-40	250

FD. PT. N5H

LIGHTING STANDARDS AND BASES						
NO.	STATION	LT.	RT.	LOCATION	TYPE	WATTAGE
1	1021+20			T.H. 694 E.B.	9-40	250
2	1018+75					
3	1016+45					
4	1013+90					
5	1011+70					
6	1009+25					
7	1007+10			T.H. 694 E.B.		
8	75+35			T.H. 36 W.B.		
9	73+25					
10	71+00					
11	68+95					
12	66+90					
13	64+90					
14	62+50					
15	60+10			T.H. 36 W.B.		
16	2+10			RAMP 2		
17	4+40			RAMP 2		
18	6+70			RAMP 2	9-40	250

FD. PT. N5H

LIGHTING STANDARDS AND BASES						
NO.	STATION	LT.	RT.	LOCATION	TYPE	WATTAGE
19	9+05			RAMP 2	9-40	250
20	11+40			RAMP 2		
21	7+25			LOOP 2		
22	5+00			LOOP 2		
23	2+90			LOOP 2		
24	1009+85			T.H. 694 W.B.		
25	1012+25			T.H. 694 W.B.		
26	1014+65			T.H. 694 W.B.		
27	16+60			RAMP 1		
28	1016+60			T.H. 694 W.B.		
29	1019+00			T.H. 694 W.B.		
30	1021+40			T.H. 694 W.B.	9-40	250

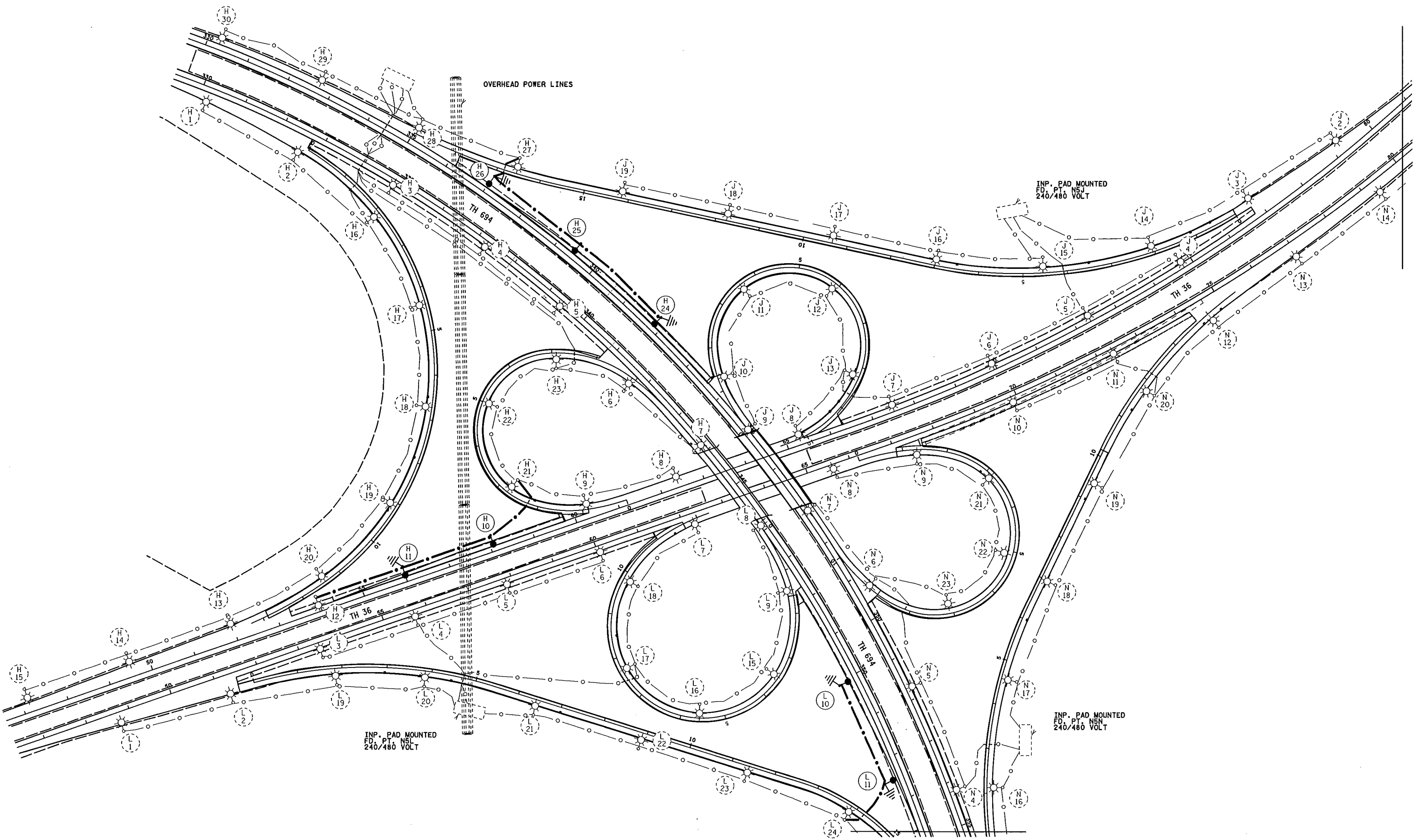
AS BUILT  
FEEDPOINTS  
N5H and N5L  
TH. 694 & T.H. 36  
Revised 12/2007

## LIGHTING PLAN

SEE LEGEND SHEET 7

PLOTTED/REVISED: 5/19/2011

DISTRICT #: METRO  
 IPLOT NAME: 16286-5611  
 PATH & FILENAME: IP\_PWP-d\137186-4\6286-56.dgn



BY	DATE	REVISIONS	FEEDPOINT: N5H, N5J, N5L, & N5N	LOCATION: T.H. 694 & T.H. 36.	<b>LIGHTING PLAN</b>
			METER ADDRESS:		
DRAWN BY: PB	CKD BY: GB	DATE:	CERTIFIED BY: <i>Michael P. Libinsky</i>	LIC. NO. 19863	DATE: 5/19/2011
			STATE PROJ. NO. 6286-56 (T.H. 694)		SHEET NO. L11 OF L11 SHEETS