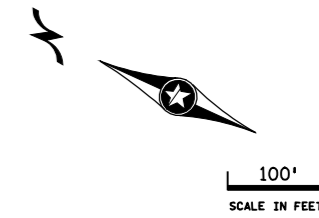
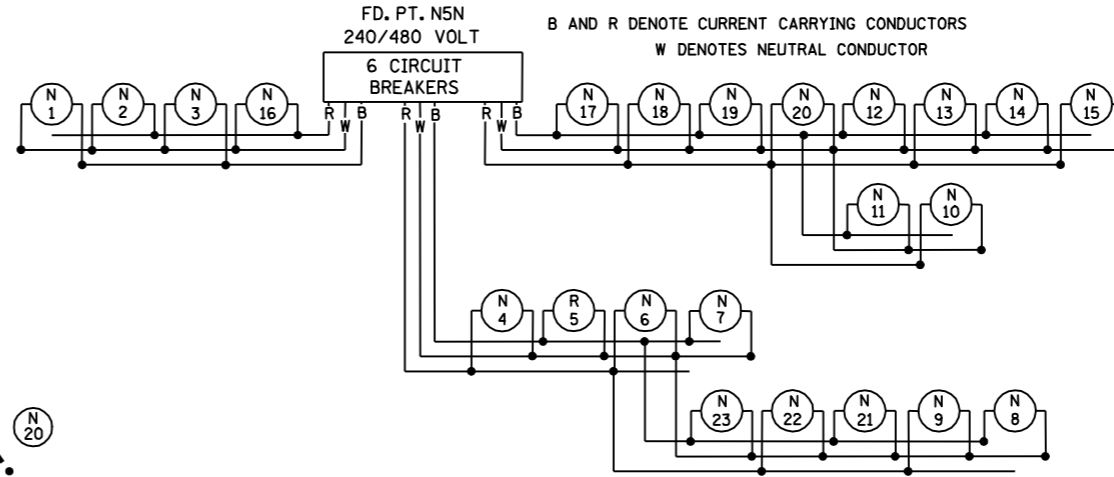
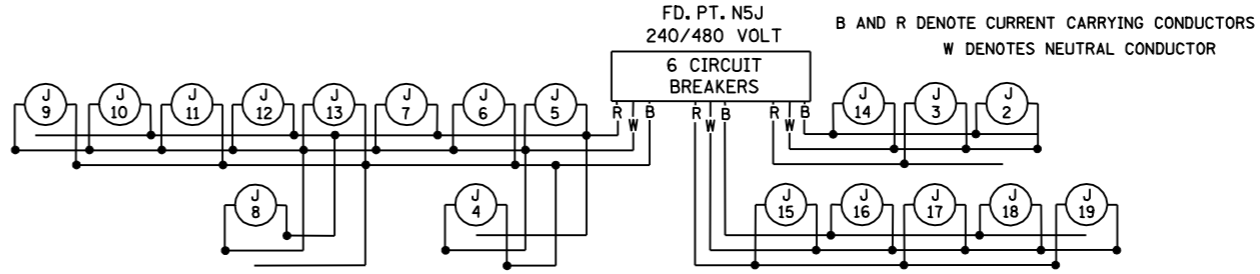


SEE LEGEND  
SHEET 6

FD. PT. N5J

LIGHTING STANDARDS AND BASES					
NO.	STATION	LT.	RT.	LOCATION	WATTAGE
1	ELIMINATED				
2	92+15			T.H. 36 W.B.	9-40
3	89+75				
4	87+70				
5	85+30				
6	82+85				
7	80+45				
8	78+25			T.H. 36 W.B.	
9	1006+70			T.H. 694 W.B.	
10	1007+90			T.H. 694 W.B.	
11	3+60			LOOP 4	
12	5+90			LOOP 4	
13	8+20			LOOP 4	
14	2+05			RAMP 4	
15	4+55				
16	7+00				
17	9+35				
18	11+75				
19	14+15			RAMP 4	9-40



NO UTILITIES WILL BE AFFECTED BY THIS PROJECT  
ALL WORK IS WITHIN MnDOT RIGHT OF WAY

UTILITY OWNERS WITHIN PROJECT AREA

- BP Pipelines North America, Incorporated
- City of Mahtomed
- City of Oakdale
- Comcast Cable Communications
- Fleet Wholesale Supply
- Minnesota Pipe Line Company
- Minnesota Dep't. of Transportation
- Qwest Corporation
- XcelEnergy (Transmission)

FD. PT. N5N

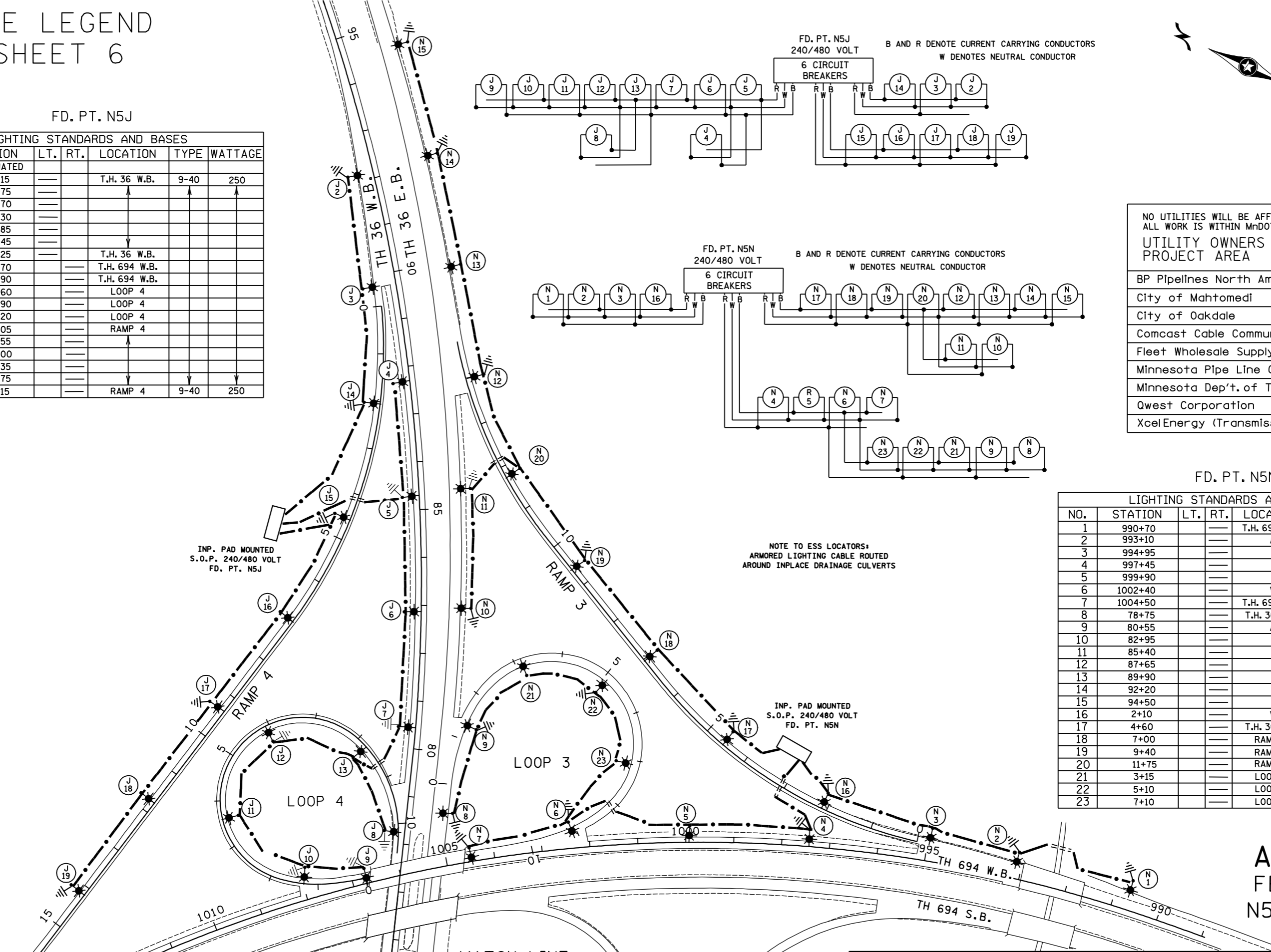
LIGHTING STANDARDS AND BASES					
NO.	STATION	LT.	RT.	LOCATION	WATTAGE
1	990+70			T.H. 694 W.B.	9-40
2	993+10				
3	994+95				
4	997+45				
5	999+90				
6	1002+40				
7	1004+50			T.H. 694 W.B.	
8	78+75			T.H. 36 E.B.	
9	80+55				
10	82+95				
11	85+40				
12	87+65				
13	89+90				
14	92+20				
15	94+50				
16	2+10				
17	4+60			T.H. 36 E.B.	
18	7+00			RAMP 3	
19	9+40			RAMP 3	
20	11+75			RAMP 3	
21	3+15			LOOP 3	
22	5+10			LOOP 3	
23	7+10			LOOP 3	9-40

INP. PAD MOUNTED  
S.O.P. 240/480 VOLT  
FD. PT. N5J

NOTE TO ESS LOCATORS:  
ARMORED LIGHTING CABLE ROUTED  
AROUND INPLACE DRAINAGE CULVERTS

INP. PAD MOUNTED  
S.O.P. 240/480 VOLT  
FD. PT. N5N

DISTRICT #: METRO  
PLOT NAME: as built n5j\_n5n  
PATH & FILENAME: S:\TRAFFIC\LIGHTING\Plans\694-8286-62\18286\_102.dgn



MATCH LINE

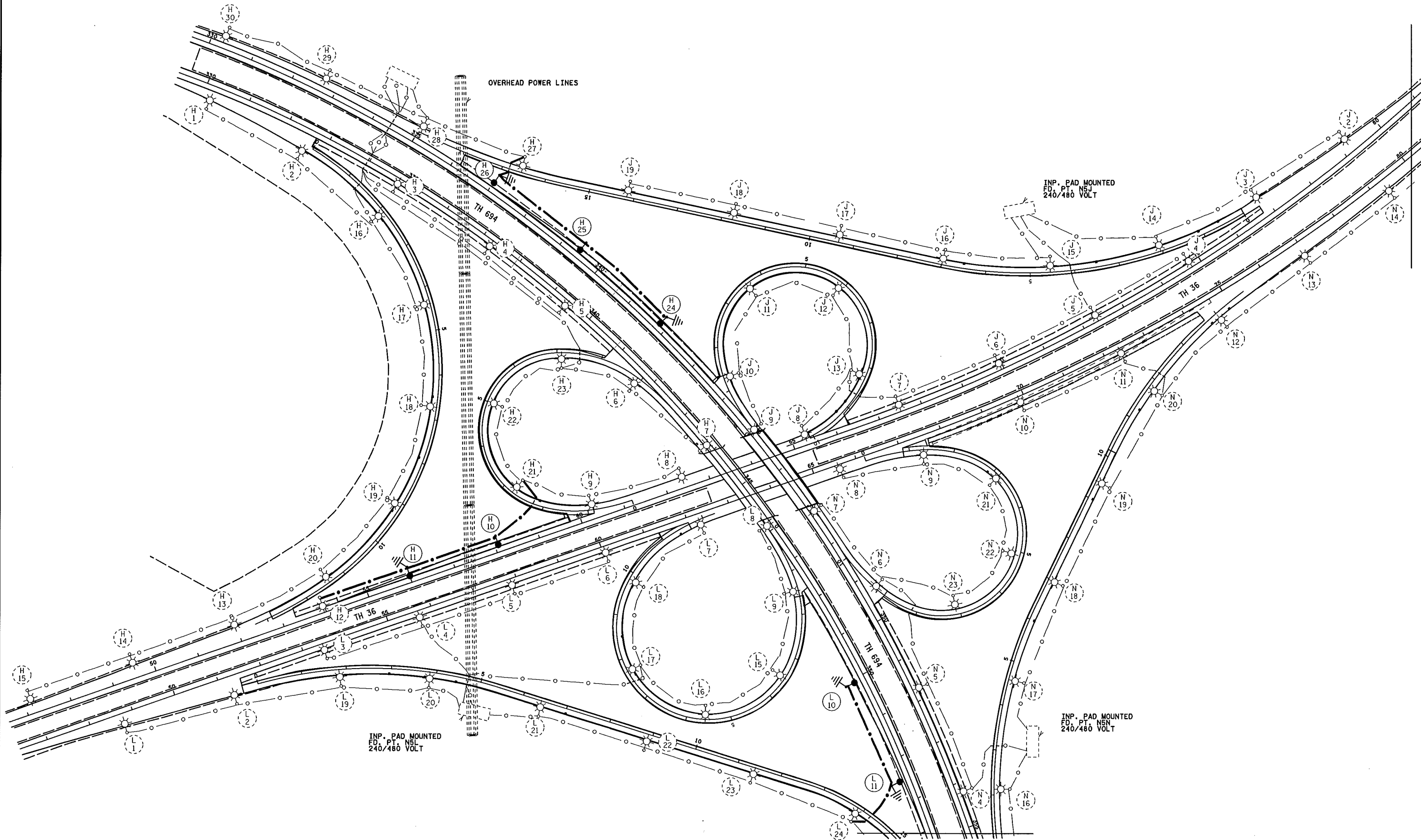
AS BUILT  
FEEDPOINTS  
N5J and N5N  
T.H. 694 & T.H. 36  
REVISED 12/18/2007

**LIGHTING PLAN**

SEE LEGEND SHEET 7

PLOTTED/REVISED: 5/19/2011

DISTRICT #: METRO  
 IPLOT NAME: 16286-5611  
 PATH & FILENAME: IP\_PWP-d\137186-4\6286-56.dgn



BY	DATE	REVISIONS	FEEDPOINT: N5H, N5J, N5L, & N5N	LOCATION: T.H. 694 & T.H. 36.	LIGHTING PLAN
			METER ADDRESS:		
DRAWN BY: PB	CKD BY: GB	DATE:	CERTIFIED BY: <i>Michael P. Liburdy</i>	LIC. NO. 19863 DATE: 5/19/2011	STATE PROJ. NO. 6286-56 (T.H. 694) SHEET NO. L11 OF L11 SHEETS