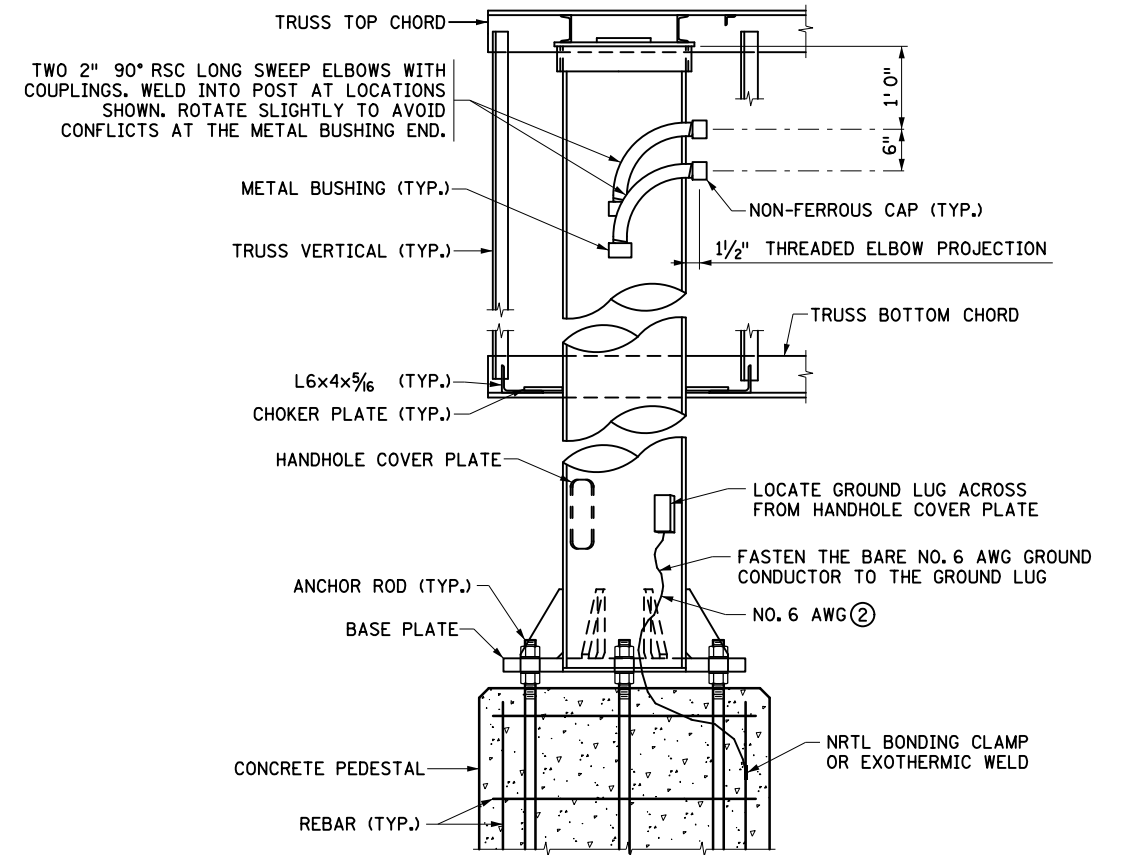
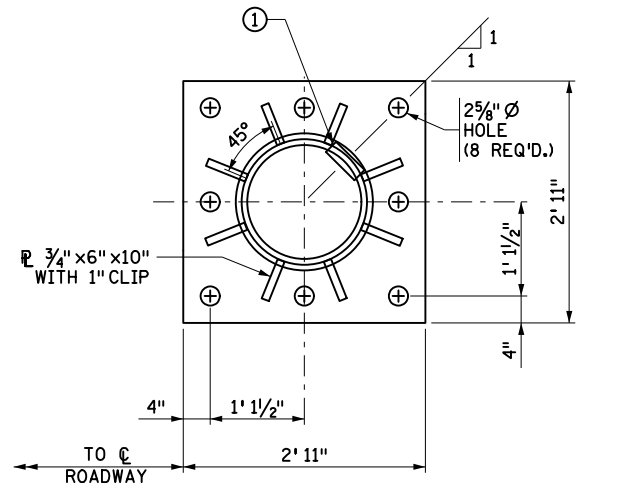


ADDITIONAL STIFFENERS NOT SHOWN FOR CLARITY



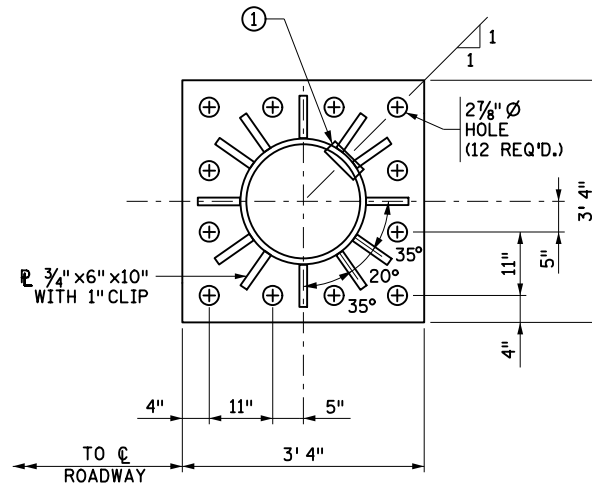
**ELECTRICAL GROUNDING AND CONDUIT DETAILS**

CABLES NOT SHOWN FOR CLARITY



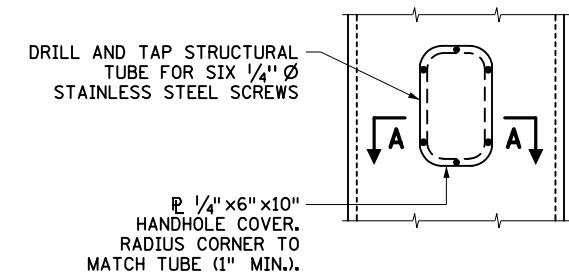
**PLAN & ELEVATION - BASEPLATE TYPE A**

POST TYPE 1 THRU 4



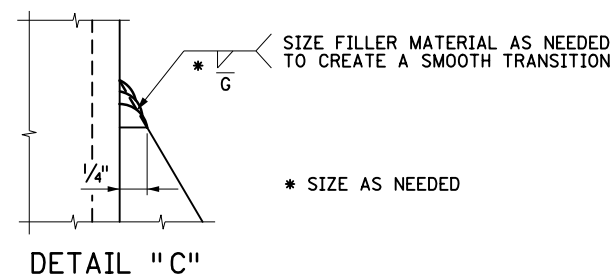
**PLAN & ELEVATION - BASEPLATE TYPE B**

POST TYPE 5 THRU 6

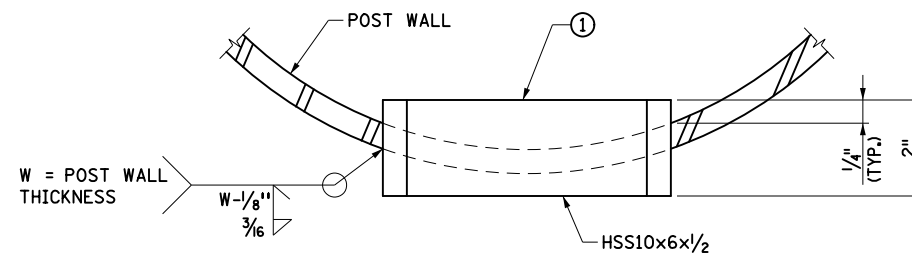


**HANDHOLE & COVER PLATE DETAIL**

(TYPE 'E' POSTS)



**DETAIL "C"**



**SECTION A-A**

**NOTES:**

- ① FOR POSTS LABELED WITH E: LOCATE 45° AWAY FROM TRAFFIC. 10" x 6" x 1/2" STRUCTURAL TUBE OR EQUAL WITH 1/4" RUBBER GASKET.
- ② FOR POSTS LABELED WITH E, F & I NO. 6 AWG CONNECTION TO 20' OF CONTINUOUS REBAR EMBEDDED IN THE CONCRETE FOUNDATION USING A NRTL BONDING CLAMP OR EXOTHERMIC WELD CONNECTION. TERMINATE THE OTHER END OF THE NO. 6 AWG AT THE GROUND LUG INSIDE THE POST. FOLLOW NEC FOR GROUNDING OF CONCRETE-ENCASED ELECTRODE.

LEAD EXPERT OFFICE  
KEVIN WESTERN  
STATE BRIDGE ENGINEER



STANDARD OVERHEAD SIGN STRUCTURES - DESIGN D  
BASE PLATE, HANDHOLE, ELECTRICAL, AND COVER PLATE DETAILS

APPROVED: 03-05-2020  
REVISED:

THOMAS STYRBICKI  
STATE DESIGN ENGINEER

STANDARD PLAN  
5-297.764

1 OF 1

STANDARD PLAN

STATE PROJ. NO.  
TRUNK HWY.

SHEET NO.  
TOTAL SHEETS