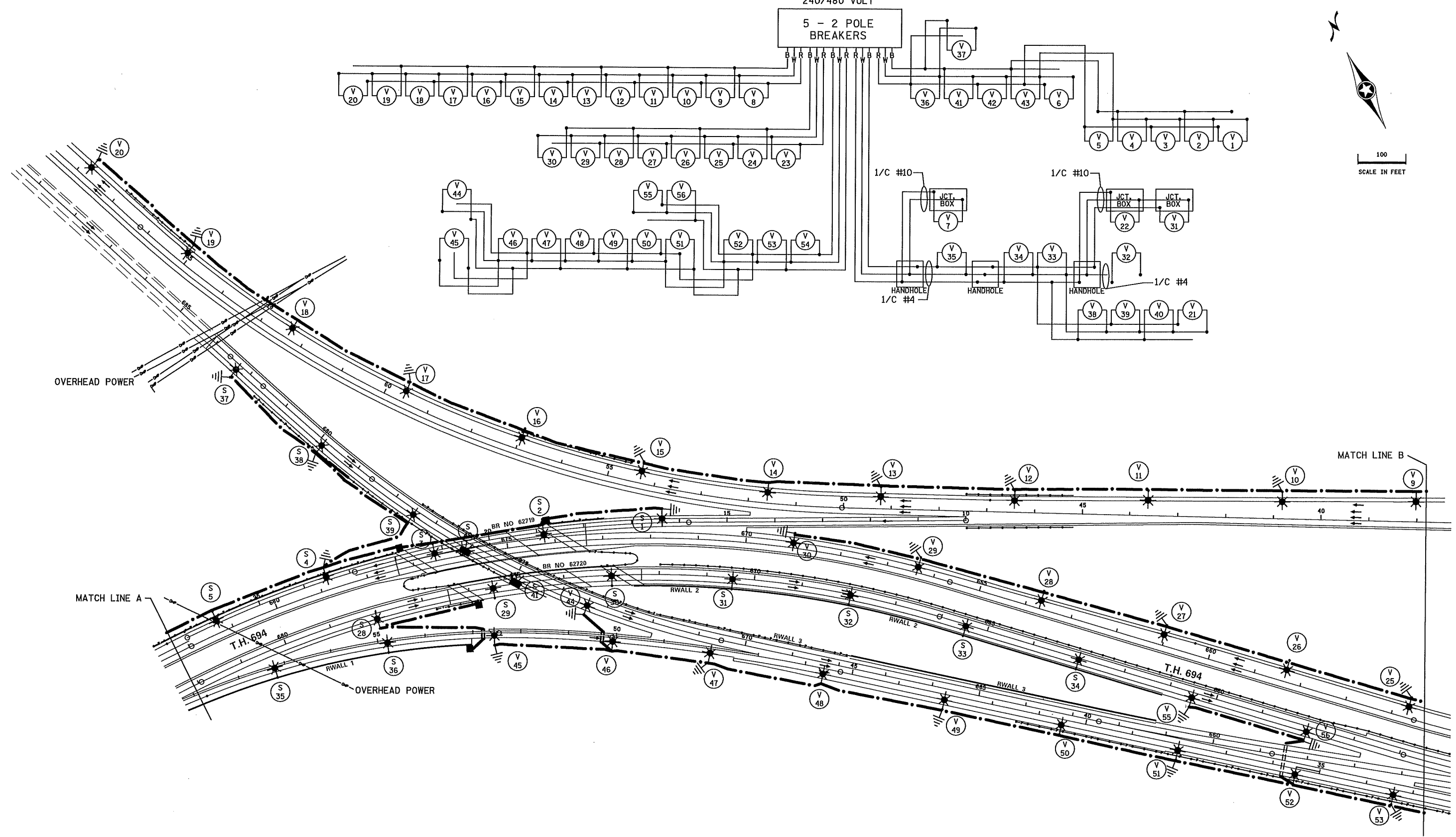
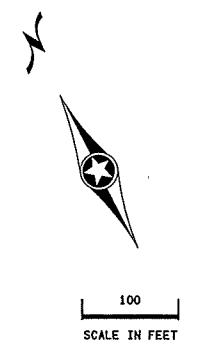


SEE LEGEND SHEET SL11

W DENOTES NEUTRAL CONDUCTOR
 B AND R DENOTE CURRENT CARRYING CONDUCTORS
 FD. PT. N2V
 240/480 VOLT

5 - 2 POLE
 BREAKERS



PLOTTED/REVISED: 5-DEC-2019

I/PLOT NAME: 16285-135AB
 PATH & FILENAME: Proj\69-A\0000\Traffic\Lighting\16285-135AB.dgn

AS-BUILT

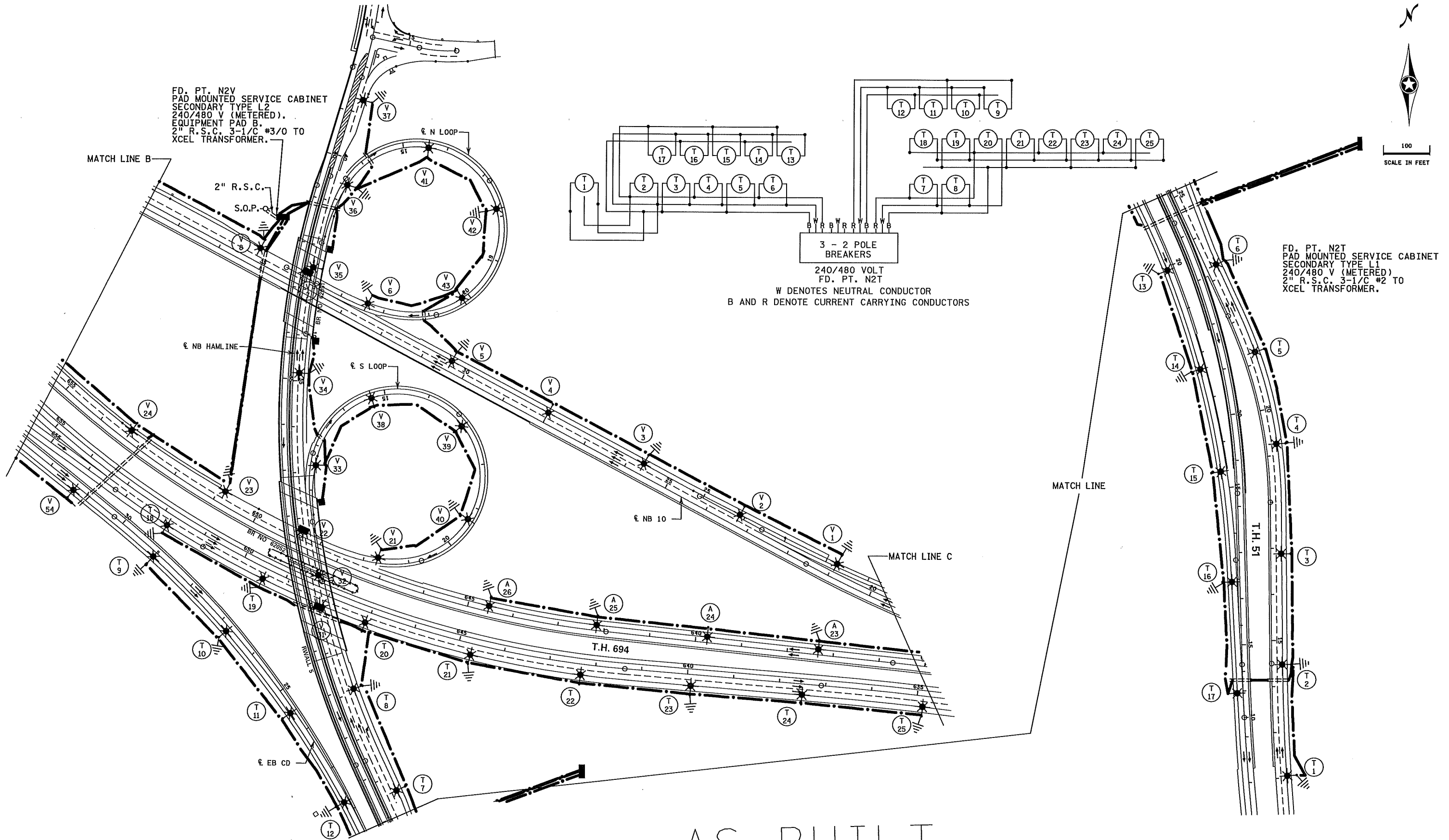
FD. PT. N2S, & N2V

BY	DATE	REVISIONS	FEEDPOINT: N2V LOCATION: T.H. 694 & T.H. 10 AT HAMLINE. METER ADDRESS: 4102 Hamline Ave N, Arden Hills, 55112	DRAFT	LIC. NO. _____ DATE: 5-DEC-2019	LIGHTING PLAN
HR	1/28/19	CONSTRUCTION CHANGES				
DRAWN BY: PB CKD BY: GB DATE: _____			CERTIFIED BY _____		STATE PROJ.NO.6285-135 (T.H.694) SHEET NO. SL12 OF SL19 SHEETS	

SEE LEGEND SHEET SL11

PLOTTED/REVISED: 6-DEC-2019

I/PLOT NAME: 16285-135AB
PATH & FILENAME: Projects\DM_R05\69-A00000\Traffic\Lighting\16285-135AB.dgn



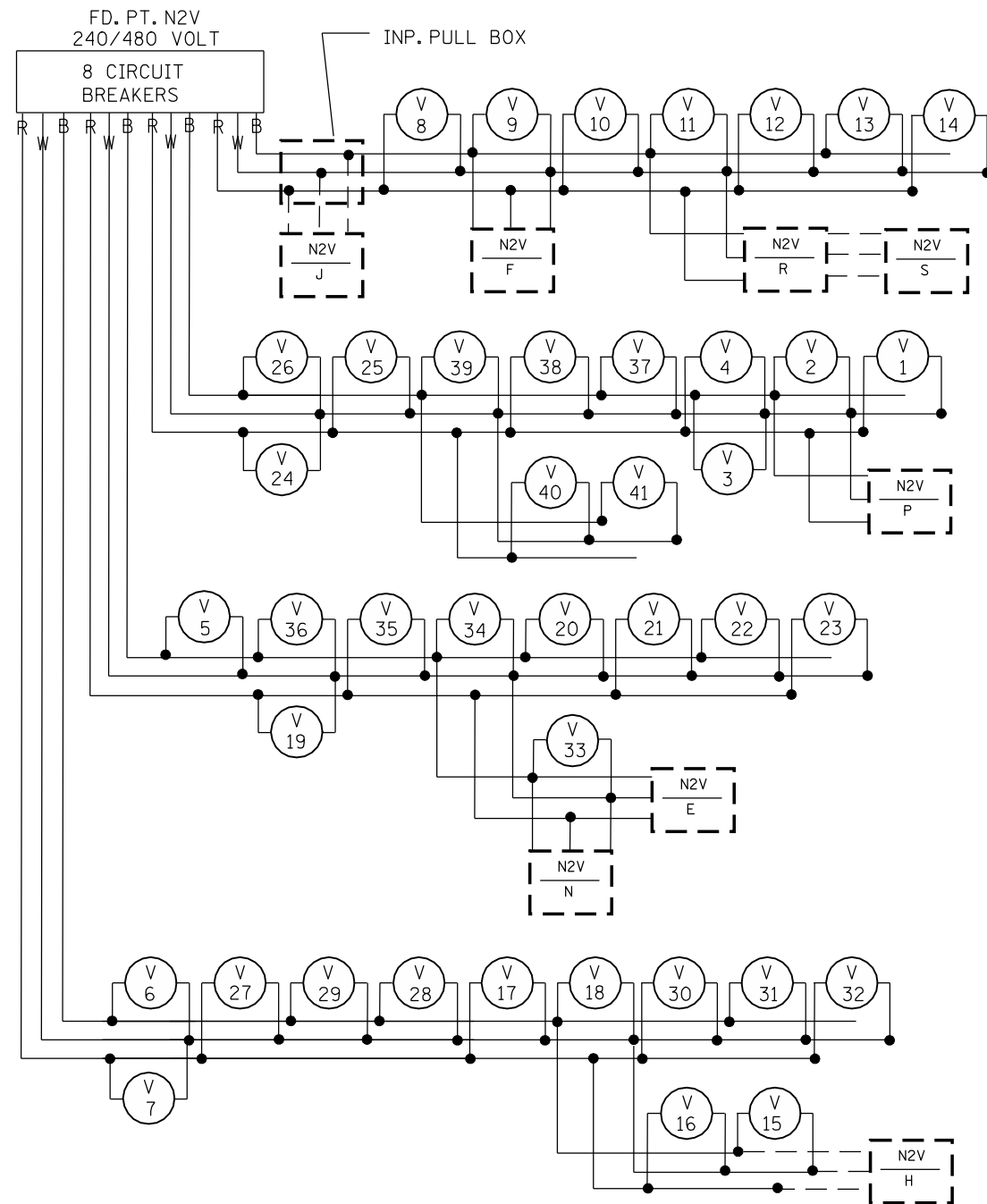
BY	DATE	REVISIONS
HRL	1/28/19	CONSTRUCTION CHANGES
DRAWN BY:	PB	CKD BY: GB DATE:

FEEDPOINT: N2T LOCATION: T.H. 694. & HAMLINE
METER ADDRESS: 3803 Snelling Ave, Arden Hills, 55112

CERTIFIED BY **DRAFT** LIC. NO. _____ DATE: 6-DEC-2019
LICENSED PROFESSIONAL ENGINEER

LIGHTING PLAN

STATE PROJ.NO.6285-135 (T.H.694) SHEET NO. SL13 OF SL19 SHEETS



LIGHTING STANDARDS AND BASES					
NO.	STATION	LT.	RT.	LOCATION	TYPE
1	824+81	-		W.B. TH 694	12-40
2	822+29	-		W.B. TH 694	12-40
3	819+49	-		W.B. TH 694	12-40
4	819+97	-		W.B. TH 694	9-40
5	811+41		-	W.B. TH 694	12-40
6	808+92		-	W.B. TH 694	12-40
7	806+41		-	W.B. TH 694	12-40
8	793+26	-		W.B. TH 694	12-40
9	790+78	-		N.B. TH 10	12-40
10	788+29	-		N.B. TH 10	12-40
11	788+29	-		W.B. TH 694	12-40
12	788+43	-		S.B. TH 10	12-40
13	790+87	-		S.B. TH 10	12-40
14	793+40	-		E.B. TH 694	12-40
15	804+49		-	E.B. TH 694	12-40
16	807+19		-	E.B. TH 694	12-40
17	809+74		-	E.B. TH 694	12-40
18	809+29		-	E.B. TH 694	12-40
19	815+88	-		E.B. TH 694	12-40
20	818+32	-		E.B. TH 694	12-40
21	820+81	-		E.B. TH 694	12-40
22	823+20		-	E.B. TH 694	12-40
23	825+62		-	E.B. TH 694	12-40
24	289+30	-		HAMLIN AVE	12-40
25	287+68		-	HAMLIN AVE	9-40
26	286+79	-		HAMLIN AVE	12-40
27	279+91		-	HAMLIN AVE	12-40
28	277+05		-	HAMLIN AVE	12-40
29	277+70		-	HAMLIN AVE	9-40
30	267+08	-		HAMLIN AVE	12-40
31	264+52	-		HAMLIN AVE	12-40
32	262+00	-		HAMLIN AVE	12-40
33	272+50		-	HAMLIN AVE	12-40
34	275+00		-	HAMLIN AVE	12-40
35	277+46		-	HAMLIN AVE	12-40
36	277+43	-		HAMLIN AVE	9-40
37	282+15		-	HAMLIN AVE	12-40
38	284+64		-	HAMLIN AVE	12-40
39	287+63		-	HAMLIN AVE	12-40
40	290+02		-	HAMLIN AVE	12-40
41	292+47		-	HAMLIN AVE	12-40

F.P. N02V
LIGHTING PLAN