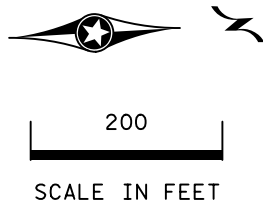
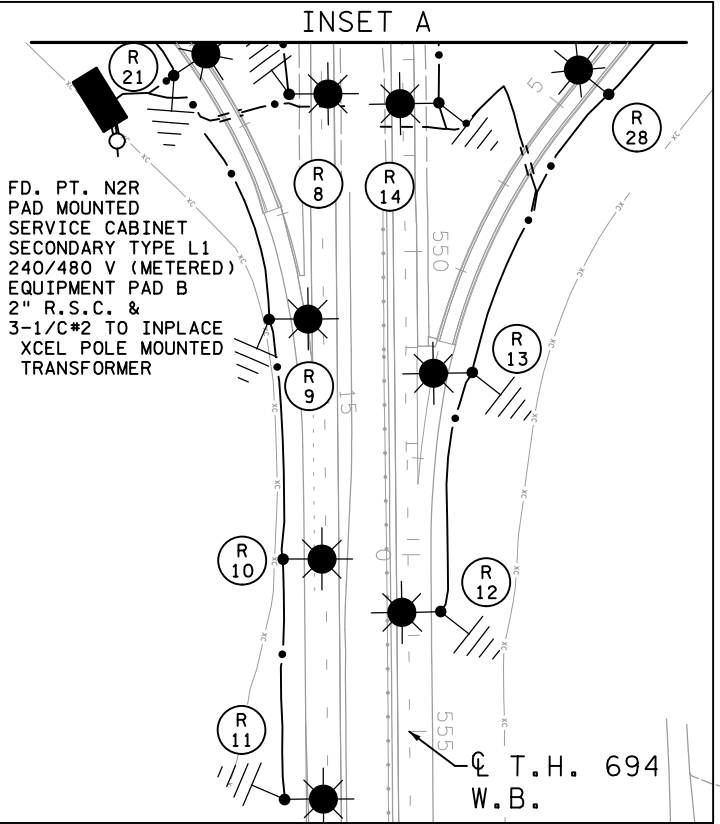
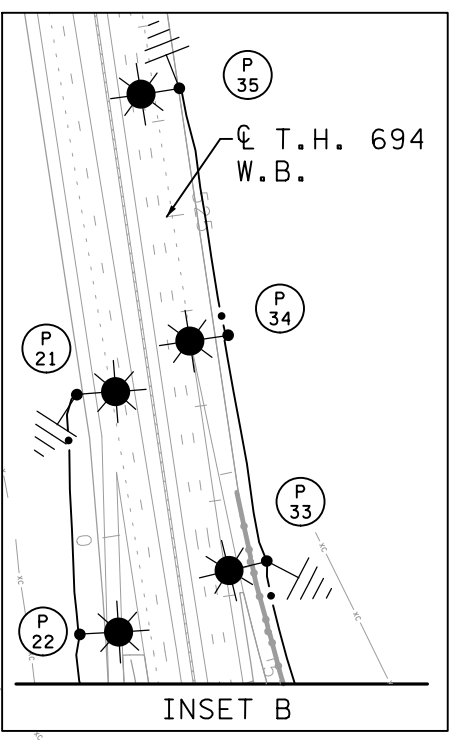
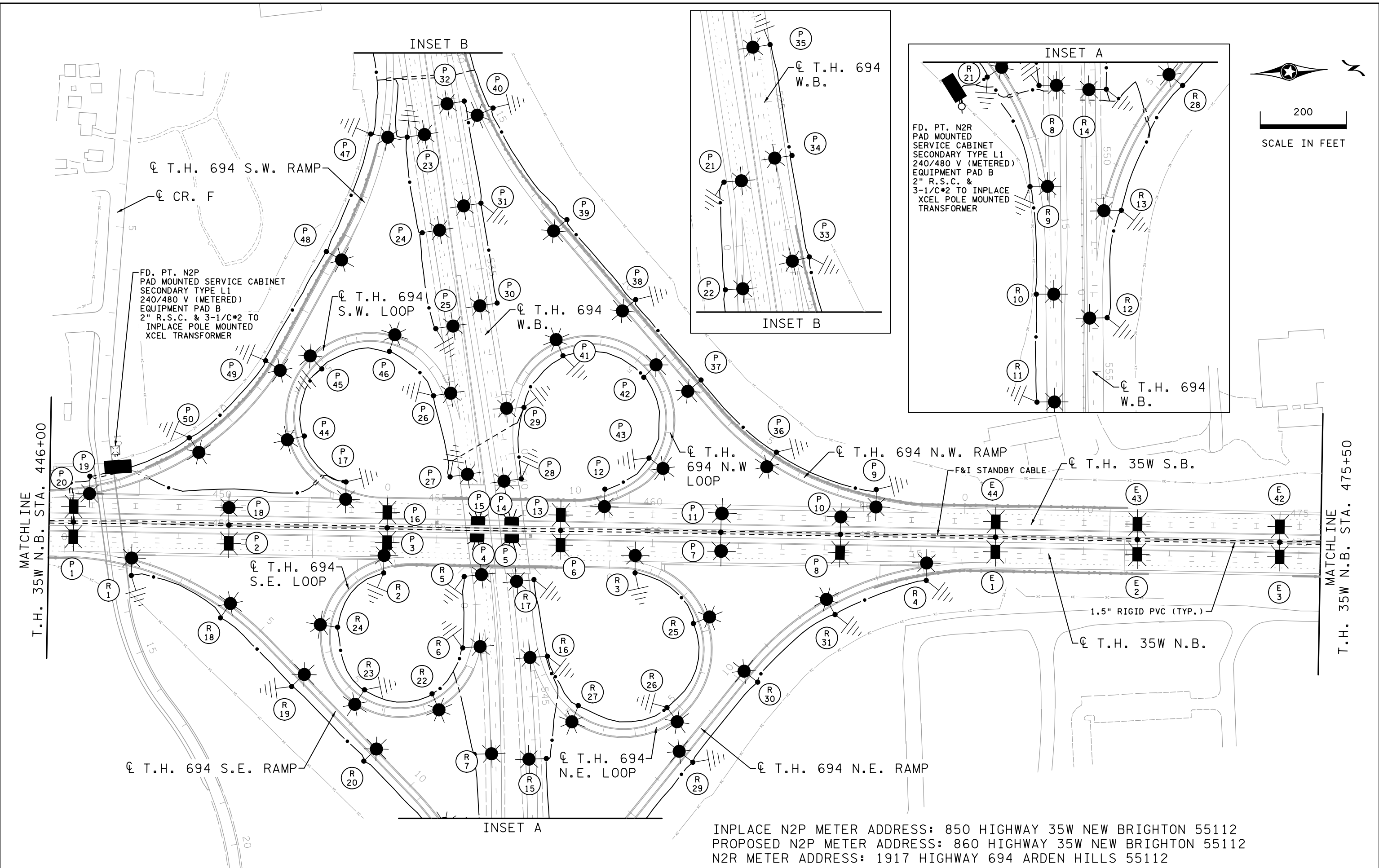
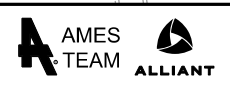


2:47:36 PM 12/13/2021 \\projects\2018\180051\CONSTRUCTION\Plan_Sheets\cd6284180_cb_11130.dgn



INPLACE N2P METER ADDRESS: 850 HIGHWAY 35W NEW BRIGHTON 55112
 PROPOSED N2P METER ADDRESS: 860 HIGHWAY 35W NEW BRIGHTON 55112
 N2R METER ADDRESS: 1917 HIGHWAY 694 ARDEN HILLS 55112

2	12/18/19	AKS	MPM	RFC DP T-5
3	11/16/21	AKS	MPM	FDC 452
4	12/03/21			RECORD DRAWING
NO	DATE	DWN	CKD	REVISIONS



RECORD DRAWING NOTE: THESE RECORD DRAWINGS WERE DEVELOPED BASED ON THE PREVIOUS DRAWING REVISIONS AND INFORMATION TRANSMITTED FROM THE FIELD BY OTHERS. THE INFORMATION CONTAINED WITHIN THIS RECORD AS-BUILT PLAN REPRESENTS THE ACTUAL CONDITIONS FOR ALL CHANGES OF WHICH ALLIANT IS AWARE. FUTURE USERS OF THESE DRAWINGS SHOULD VERIFY AS-BUILT CONDITIONS IN THE FIELD IN ALL CIRCUMSTANCES.

LIGHTING PLANS
 FD. PTS. N2P & N2R LAYOUT

I-35W NORTH MNPASS DB (S.P. 6284-180)
 SHEET NO. LL41 OF LL67 SHEETS

FEEDPOINT N2P
LIGHTING STANDARDS AND FOUNDATIONS

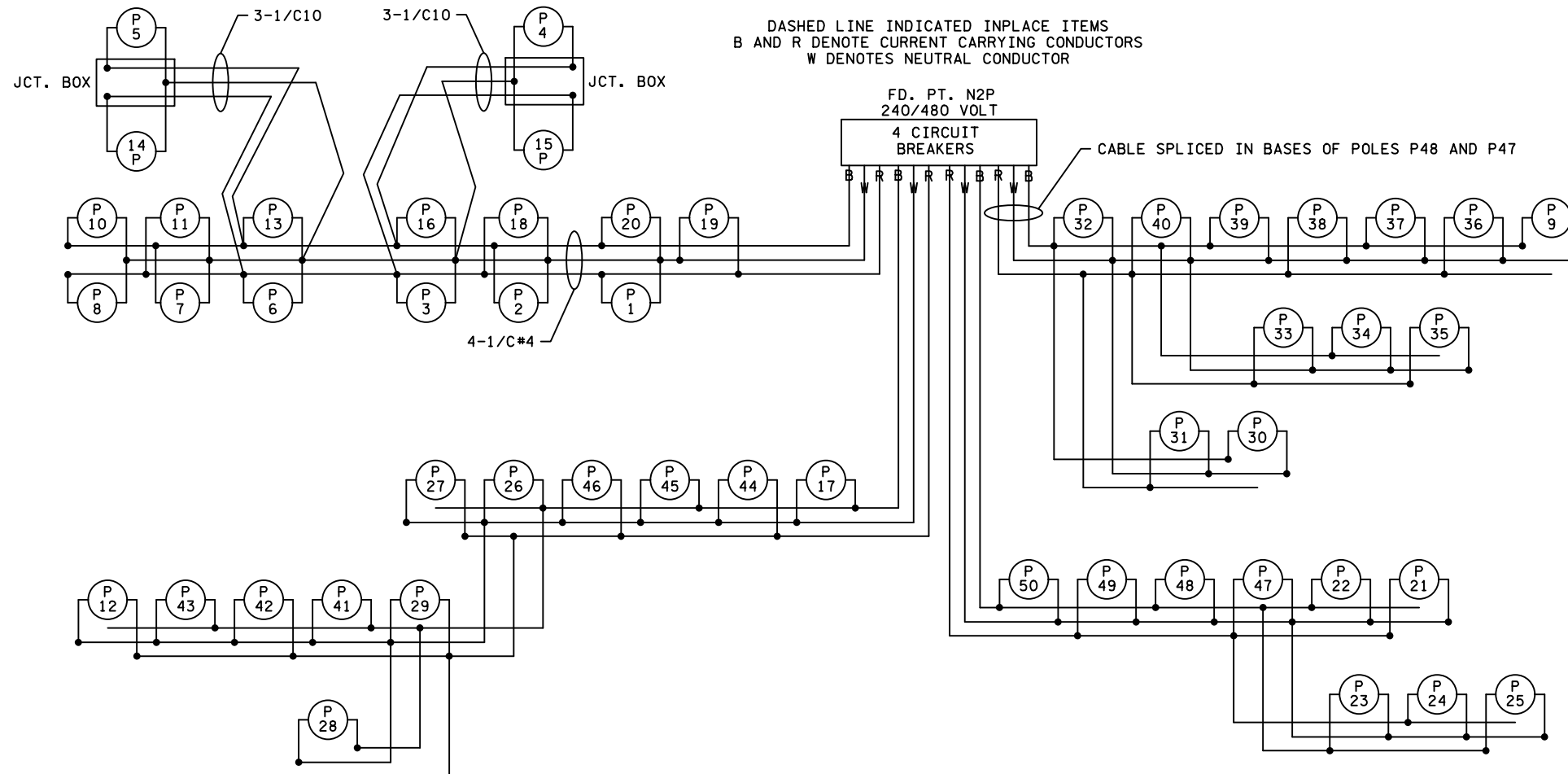
NO.	STATION	LT.	RT.	LOCATION	TYPE	LUMINAIRE
1						5 LANE
20	446+56	-		T.H. 35W N.B.	6BD-49	5 LANE
2						5 LANE
18	450+17	-		T.H. 35W N.B.	6BD-49	49 FOOT
3						5 LANE
16	453+84	-		T.H. 35W N.B.	6BD-49	5 LANE
4	455+93	-		T.H. 35W N.B.	UNDERPASS	LED
5	456+74	-		T.H. 35W N.B.	UNDERPASS	LED
6						5 LANE
13	457+85	-		T.H. 35W N.B.	6BD-49	5 LANE
7						49 FOOT
11	461+58	-		T.H. 35W N.B.	6BD-49	49 FOOT
8						5 LANE
10	464+36	-		T.H. 35W N.B.	6BD-49	49 FOOT
9	2+14		-	T.H. 694 N.W. RAMP	9-49	49 FOOT
12	9+23		-	T.H. 694 N.W. LOOP	9-49	49 FOOT
14	456+73	-		T.H. 35W S.B.	UNDERPASS	LED
15	455+95	-		T.H. 35W S.B.	UNDERPASS	LED
17	1+11		-	T.H. 694 S.W. LOOP	9-49	49 FOOT
19	13+67		-	T.H. 694 S.W. RAMP	9-49	49 FOOT
21	526+69		-	T.H. 694 E.B.	9-49	49 FOOT
22	1+02		-	T.H. 694 S.W. RAMP	9-49	49 FOOT
① 23	531+73		-	T.H. 694 E.B.	9-49	49 FOOT
① 24	533+97		-	T.H. 694 E.B.	9-49	49 FOOT
① 25	536+22		-	T.H. 694 E.B.	9-49	49 FOOT

FEEDPOINT N2P
LIGHTING STANDARDS AND FOUNDATIONS

NO.	STATION	LT.	RT.	LOCATION	TYPE	LUMINAIRE
26	8+64		-	T.H. 694 S.W. LOOP	9-49	49 FOOT
27	539+67		-	T.H. 694 E.B.	9-49	49 FOOT
28	539+96		-	T.H. 694 W.B.	9-49	49 FOOT
29	1+16		-	T.H. 694 N.W. LOOP	9-49	49 FOOT
30	535+84		-	T.H. 694 W.B.	9-49	49 FOOT
31	533+50		-	T.H. 694 W.B.	9-49	49 FOOT
32	531+10		-	T.H. 694 W.B.	9-49	49 FOOT
33	18+01		-	T.H. 694 N.W. RAMP	9-49	49 FOOT
34	526+31		-	T.H. 694 W.B.	9-49	49 FOOT
35	523+69		-	T.H. 694 W.B.	9-49	49 FOOT
36	4+72		-	T.H. 694 N.W. RAMP	9-40	40 FOOT
37	7+22		-	T.H. 694 N.W. RAMP	9-40	40 FOOT
38	9+62		-	T.H. 694 N.W. RAMP	9-40	40 FOOT
39	12+07		-	T.H. 694 N.W. RAMP	9-40	40 FOOT
40	15+27		-	T.H. 694 N.W. RAMP	9-40	40 FOOT
41	2+99		-	T.H. 694 N.W. LOOP	9-40	40 FOOT
42	5+43		-	T.H. 694 N.W. LOOP	9-40	40 FOOT
43	7+78		-	T.H. 694 N.W. LOOP	9-40	40 FOOT
44	2+85		-	T.H. 694 S.W. LOOP	9-40	40 FOOT
45	4+85		-	T.H. 694 S.W. LOOP	9-40	40 FOOT
46	6+85		-	T.H. 694 S.W. LOOP	9-40	40 FOOT
47	3+53		-	T.H. 694 S.W. RAMP	9-40	40 FOOT
48	6+55		-	T.H. 694 S.W. RAMP	9-40	40 FOOT
49	8+37		-	T.H. 694 S.W. RAMP	9-40	40 FOOT
50	11+04		-	T.H. 694 S.W. RAMP	9-40	40 FOOT

SPECIFIC NOTE:

① STATIONING LISTED IS T.H. 694 W.B. ALIGNMENT.



2:47:43 PM 12/3/2021 \\projects\2018\18005\CONSTRUCTION\Plan_Sheets\cd6284180_cd_11131.dgn

2	05/27/20	AKS	MPM	FDC 194
3	11/16/21	AKS	MPM	FDC 452
4	12/03/21			RECORD DRAWING
NO	DATE	DWN	CKD	REVISIONS



RECORD DRAWING NOTE: THESE RECORD DRAWINGS WERE DEVELOPED BASED ON THE PREVIOUS DRAWING REVISIONS AND INFORMATION TRANSMITTED FROM THE FIELD BY OTHERS. THE INFORMATION CONTAINED WITHIN THIS RECORD AS-BUILT PLAN REPRESENTS THE ACTUAL CONDITIONS FOR ALL CHANGES OF WHICH ALLIANT IS AWARE. FUTURE USERS OF THESE DRAWINGS SHOULD VERIFY AS-BUILT CONDITIONS IN THE FIELD IN ALL CIRCUMSTANCES.

LIGHTING PLANS
FD. PT. N2P CHART & WIRING DIAGRAM

I-35W NORTH MNPASS DB (S.P. 6284-180)
SHEET NO. LL42 OF LL67 SHEETS