

SHEET TOTAL
22-250 WATT HIGH PRESSURE SODIUM LIGHTING UNITS
4-250 WATT HIGH PRESSURE SODIUM UNDERPASS LIGHTS

FD. PT. NIF
 CITY FD. PT. 3

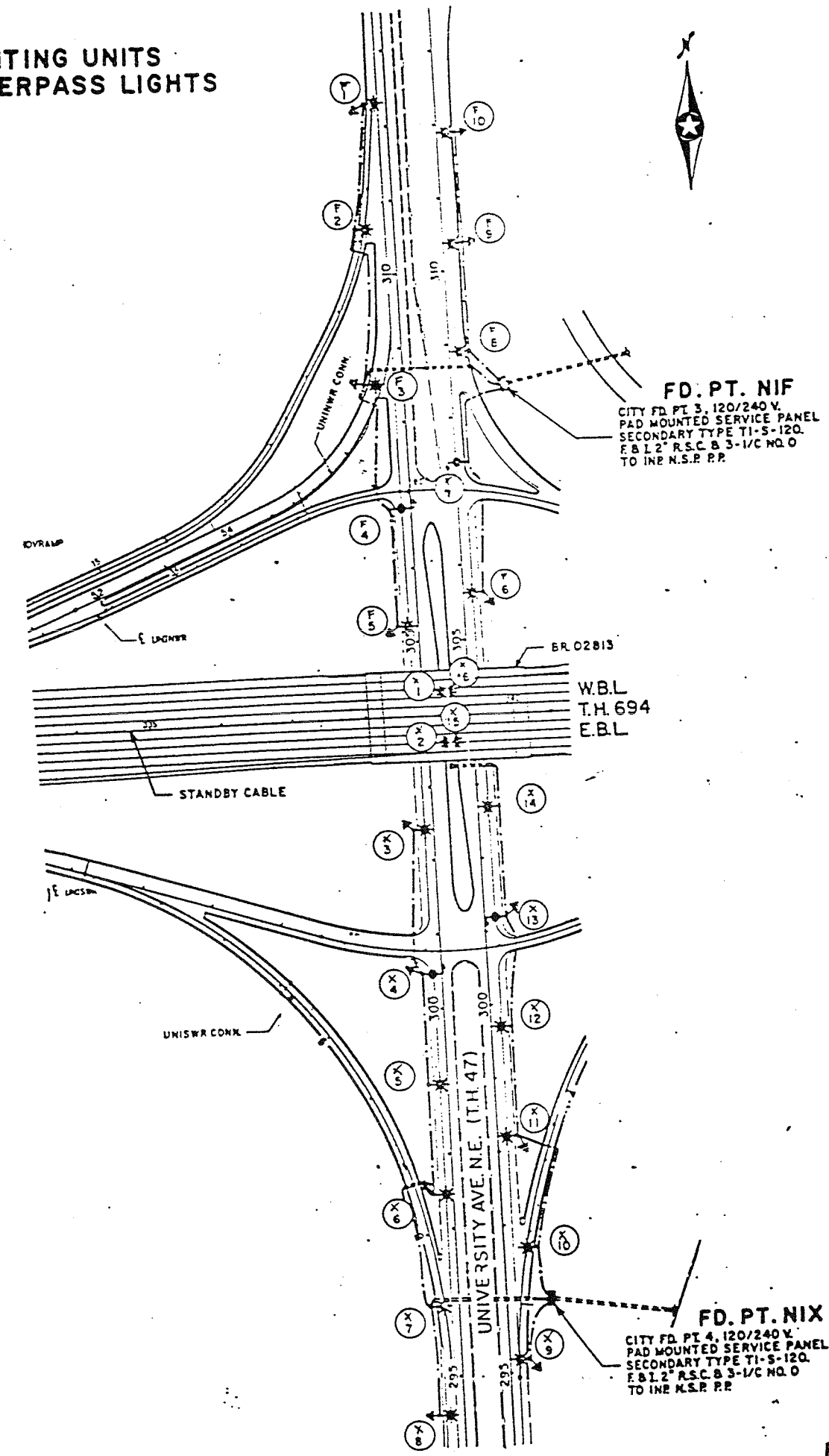
LIGHTING STANDARDS & BASES					
NO.	STATION	LT	RT	LOCATION	TYPE
1	312+30			TH 47 S.B.	6P-30
2	310+60	-	-		9P-30
3	308+50	-	-		9P-30
(5) 4	INPLACE				
5	305+20	-	-	TH 47 S.B.	6P-30
6	305+60	-	-	TH 47 N.B.	6P-30
(5) 7	INPLACE				
8	308+90	-	-		6P-30
9	310+40	-	-		6P-30
10	311+90	-	-	TH 47 N.B.	6P-30

PLACE LIGHTING UNITS 9' BEHIND BIT. SHOULDER OR CURB
 (5) SALVAGE LUMINAIRE & F.B.I. 250 WATT HIGH PRESSURE SODIUM LUMINAIRE

FD. PT. NIX
 CITY FD. PT. 4

LIGHTING STANDARDS & BASES					
NO.	STATION	LT	RT	LOCATION	TYPE
(3) 1	304+30	-	-	TH 47 S.B.	L
(3) 2	303+60	-	-		L
3	302+40	-	-		6P-30
(5) 4	INPLACE				
5	298+95	-	-		6P-30
6	297+45	-	-		6P-30
7	295+95	-	-		9P-30
8	294+45	-	-	TH 47 S.B.	6P-30
9	295+20	-	-	TH 47 N.B.	6P-30
10	296+70	-	-		9P-30
11	298+20	-	-		6P-30
12	299+70	-	-		6P-30
(5) 13	INPLACE				
14	302+70	-	-		6P-30
(3) 15	303+60	-	-		L
(3) 16	304+30	-	-	TH 47 N.B.	L

PLACE LIGHTING UNITS 9' BEHIND BIT. SHOULDER OR CURB
 (3) 250 WATT HIGH PRESSURE SODIUM UNDERPASS LIGHT
 (5) SALVAGE LUMINAIRE & F.B.I. 250 WATT HIGH PRESSURE SODIUM LUMINAIRE



FD. PT. NIF
 CITY FD. PT. 3, 120/240V.
 PAD MOUNTED SERVICE PANEL
 SECONDARY TYPE T1-S-120.
 F.B.I. 2" R.S.C. B 3-1/2" NO. 0
 TO INE N.S.P. P.P.

FD. PT. NIX
 CITY FD. PT. 4, 120/240V.
 PAD MOUNTED SERVICE PANEL
 SECONDARY TYPE T1-S-120.
 F.B.I. 2" R.S.C. B 3-1/2" NO. 0
 TO INE N.S.P. P.P.

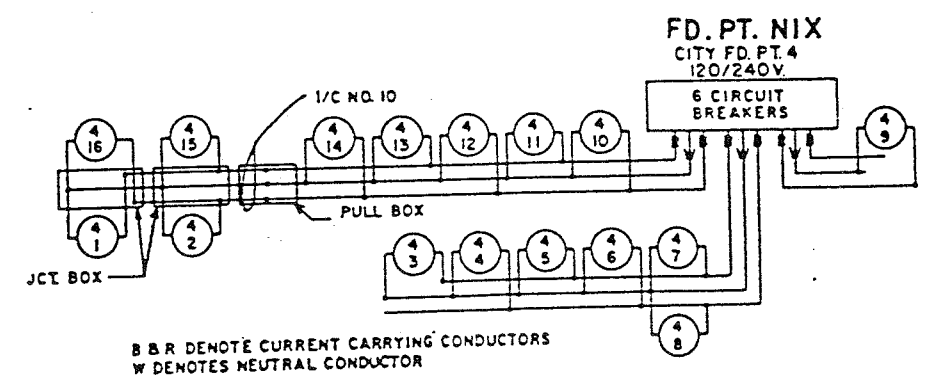
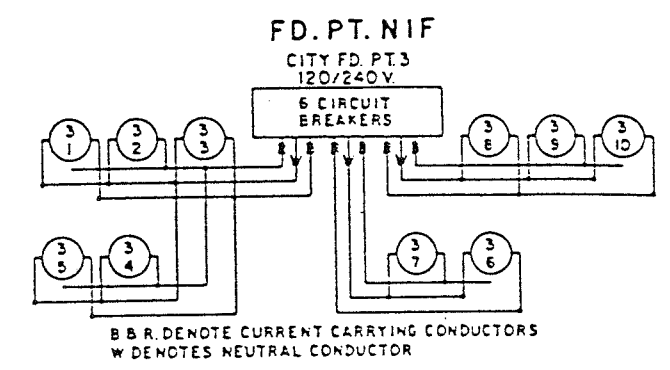


EXHIBIT A
EAST RIVER RD., UNIVERSITY
AVE. AND CENTRAL AVE. WITH
T.H. 694 IN FRIDLEY

N1F & N1X CITY OF FRIDLEY RELAMP
STATE MAINTAINS REST