

FD. PT. NIS

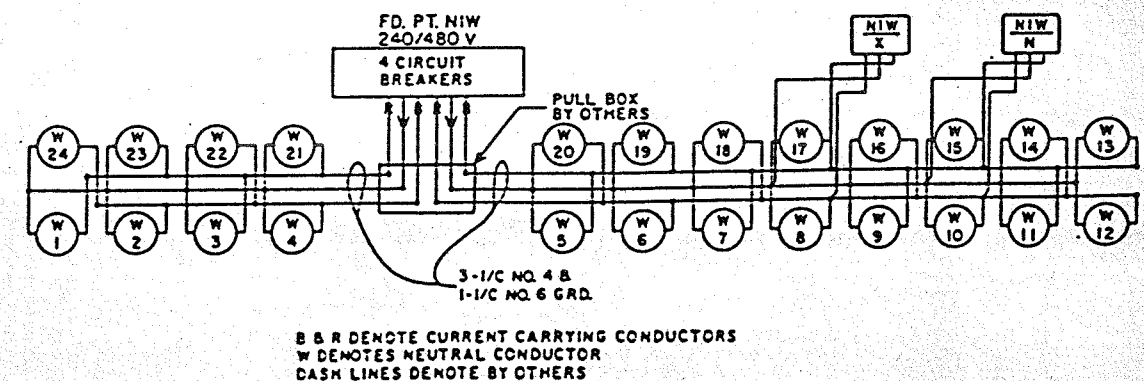
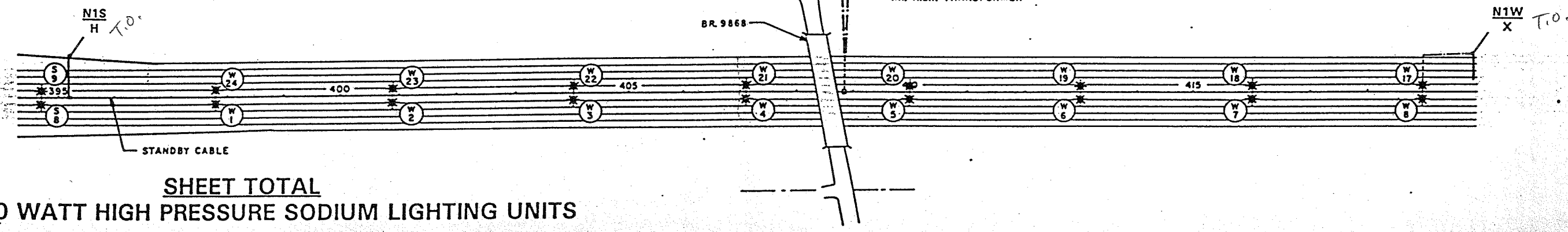
LIGHTING STANDARDS & BASES				
NO	STATION	LT RT	LOCATION	TYPE
(1) 1	373 + 60		TH 694 MED	680-49 (3)
16				
(1) 2	376 + 40			
15				
(1) 3	379 + 30			
14				
(1) 4	382 + 00			
13				
(1) 5	385 + 10			
12				
(1) 6	388 + 10			
11				
(1) 7	391 + 20			
10				
(1) 8	394 + 70		TH 694 MED	680-49 (3)
9				
(2) 17	382 + 90	-	TH 694 EB	9-40 (4)
21	42 + 70	-	CENSER	6-40
22	45 + 00	-	CENSER	6-40
23	47 + 40	-	CENSER	6-40
24	48 + 80	-	CENSER	6-40
25	52 + 20	-	CENSER	6-40
(2) 26	393 + 30	-	TH 694 EB	9-40 (4)

- (1) LIGHT ANCHORAGE BY OTHERS
- (2) INSTALL SALVAGED LIGHT STANDARD & LUMINAIRE
- (3) 250 WATT H.P.S.
- (4) 200 WATT H.P.S.

FD. PT. NIW

LIGHTING STANDARDS & BASES				
NO	STATION	LT RT	LOCATION	TYPE
(1) 1	397 + 80		TH 694 MED.	680-49 (3)
24				
(1) 2	400 + 90			
23				
(1) 3	404 + 00			
22				
(1) 4	407 + 10			
21				
(1) 5	410 + 00			
20				
(1) 6	413 + 00			
19				
(1) 7	416 + 00			
18				
(1) 8	419 + 00			
17				
(1) 9	422 + 00			
16				
(1) 10	425 + 00			
15				
(1) 11	428 + 00			
14				
(1) 12	431 + 00		TH 694 MED	680-49 (3)
13				

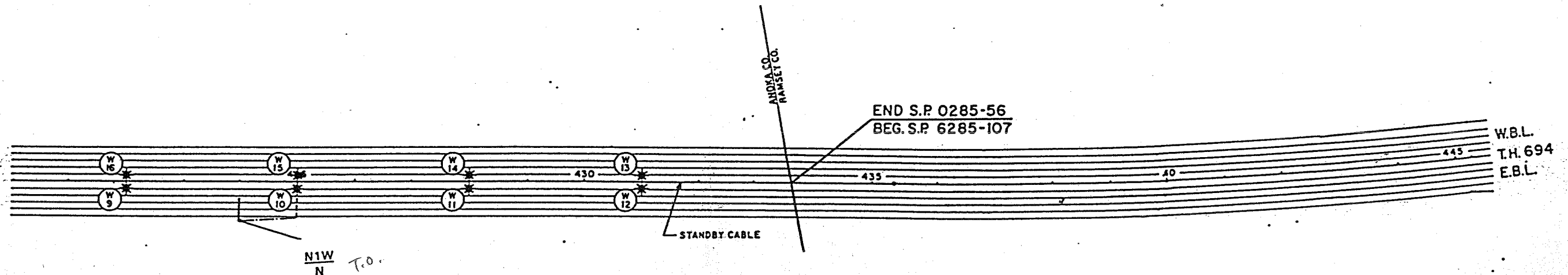
- (1) LIGHT ANCHORAGE BY OTHERS
- (3) 250 WATT H.P.S.



SHEET TOTAL
18 - 250 WATT HIGH PRESSURE SODIUM LIGHTING UNITS

EXHIBIT 52D
T.H. 694 & MATTERHORN DR.
IN FRIDLEY
N.S.P.

FD.PTS. N1S,N1W



SHEET TOTAL

8 - 250 WATT HIGH PRESSURE SODIUM LIGHTING UNITS

GRAND TOTAL

- 94 - 250 WATT HIGH PRESSURE SODIUM LIGHTING UNITS
- 79 - 200 WATT HIGH PRESSURE SODIUM LIGHTING UNITS
- 2 - 200 WATT HIGH PRESSURE SODIUM UNDERPASS LIGHTS

EXHIBIT 52D
T.H. 694
W. OF RAMSEY CO. LINE
IN FRIDLEY
N.S.P.

FD.PT. N1W