

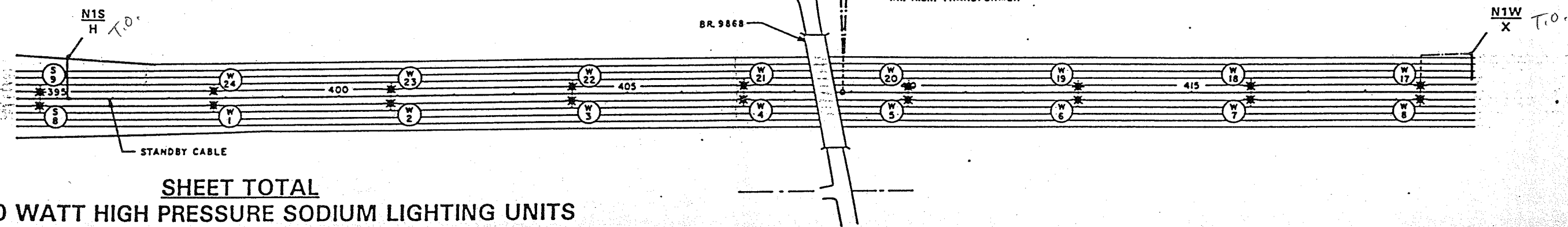


| FD. PT. NIS                |          |       |            |            |
|----------------------------|----------|-------|------------|------------|
| LIGHTING STANDARDS & BASES |          |       |            |            |
| NO                         | STATION  | LT RT | LOCATION   | TYPE       |
| (1) 1                      | 373 + 60 |       | TH 694 MED | 68D-49 (3) |
| (1) 2                      | 376 + 40 |       |            |            |
| (1) 3                      | 379 + 30 |       |            |            |
| (1) 4                      | 382 + 00 |       |            |            |
| (1) 5                      | 385 + 10 |       |            |            |
| (1) 6                      | 388 + 10 |       |            |            |
| (1) 7                      | 391 + 20 |       |            |            |
| (1) 8                      | 394 + 70 |       | TH 694 MED | 68D-49 (3) |
| (2) 9                      | 382 + 90 |       | TH 694 EB  | 9-40 (4)   |
| 21                         | 42 + 70  | -     | CENSER     | 6-40       |
| 22                         | 45 + 00  | -     | CENSER     | 6-40       |
| 23                         | 47 + 40  | -     | CENSER     | 6-40       |
| 24                         | 48 + 80  | -     | CENSER     | 6-40       |
| 25                         | 52 + 20  | -     | CENSER     | 6-40       |
| (2) 26                     | 393 + 30 |       | TH 694 EB  | 9-40 (4)   |

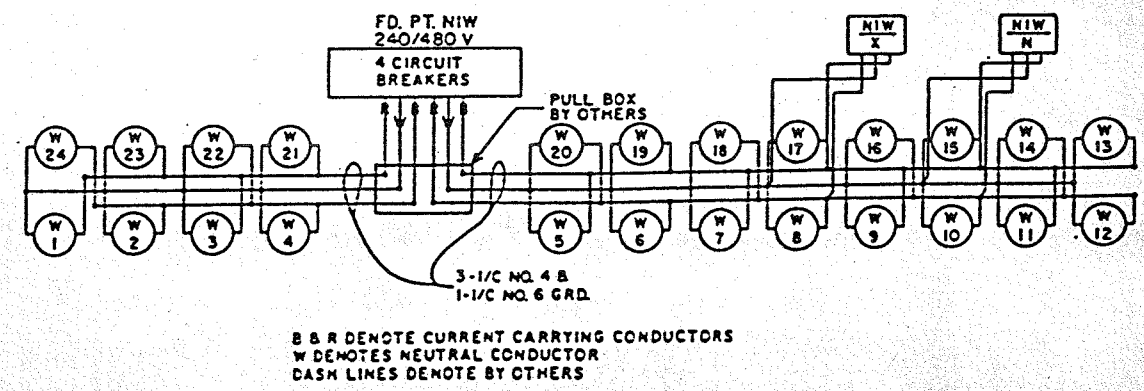
- (1) LIGHT ANCHORAGE BY OTHERS
- (2) INSTALL SALVAGED LIGHT STANDARD & LUMINAIRE
- (3) 250 WATT H.P.S.
- (4) 200 WATT H.P.S.

| FD. PT. NIW                |          |       |             |            |
|----------------------------|----------|-------|-------------|------------|
| LIGHTING STANDARDS & BASES |          |       |             |            |
| NO                         | STATION  | LT RT | LOCATION    | TYPE       |
| (1) 1                      | 397 + 80 |       | TH.694 MED. | 68D-49 (3) |
| (1) 2                      | 400 + 90 |       |             |            |
| (1) 3                      | 404 + 00 |       |             |            |
| (1) 4                      | 407 + 10 |       |             |            |
| (1) 5                      | 410 + 00 |       |             |            |
| (1) 6                      | 413 + 00 |       |             |            |
| (1) 7                      | 416 + 00 |       |             |            |
| (1) 8                      | 419 + 00 |       |             |            |
| (1) 9                      | 422 + 00 |       |             |            |
| (1) 10                     | 425 + 00 |       |             |            |
| (1) 11                     | 428 + 00 |       |             |            |
| (1) 12                     | 431 + 00 |       | TH.694 MED  | 68D-49 (3) |

- (1) LIGHT ANCHORAGE BY OTHERS
- (3) 250 WATT H.P.S.



**SHEET TOTAL**  
**18 - 250 WATT HIGH PRESSURE SODIUM LIGHTING UNITS**



**EXHIBIT 52D**  
**T.H. 694 & MATTERHORN DR.**  
**IN FRIDLEY**  
**N.S.P.**

**FD.PTS. N1S,N1W**