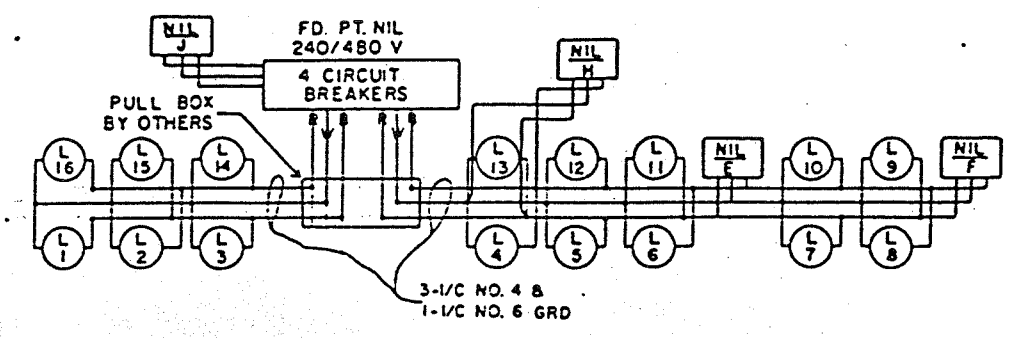


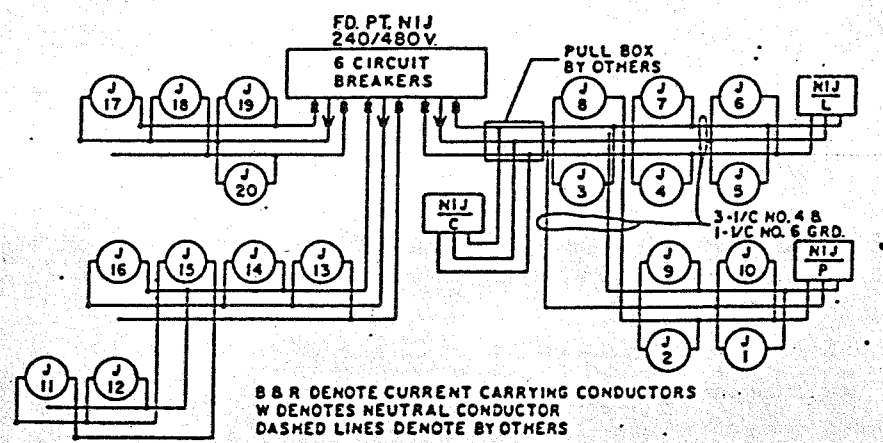
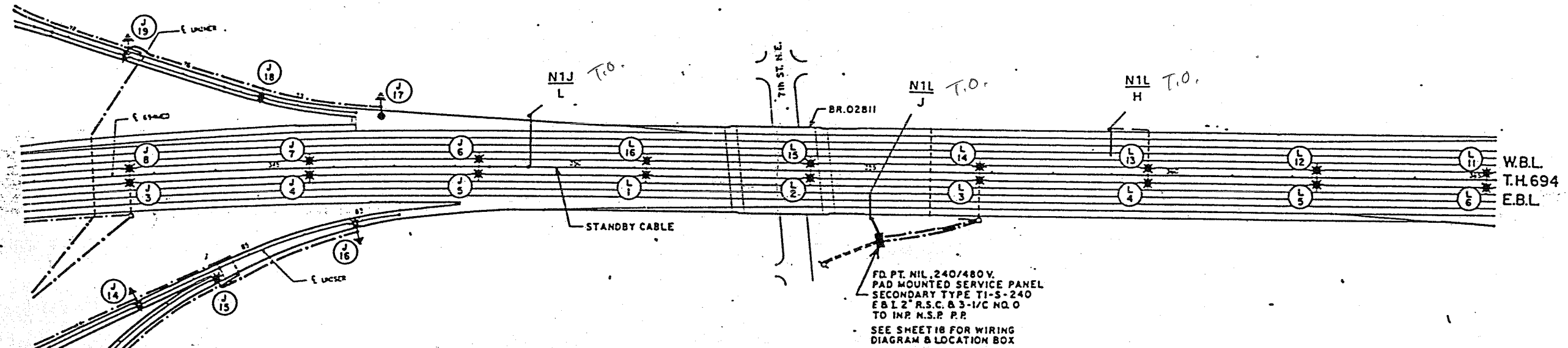
FD. PT. N1L

LIGHTING STANDARDS & BASES				
NO	STATION	LT. RT.	LOCATION	TYPE
(3) (1)	1			
	16		TH 694 MED.	6BD-49
(1)	2			
	15			
(1)	3			
	14			
(1)	4			
	13			
(1)	5			
	12			
(1)	6			
	11			
(1)	7			
	10			
(3) (1)	8			
	9		TH 694 MED	6BD-49

(1) LIGHT ANCHORAGE BY OTHERS
 (3) 250 WATT H.P.S.



B & R DENOTE CURRENT CARRYING CONDUCTORS
 W DENOTES NEUTRAL CONDUCTOR
 DASHED LINES DENOTE BY OTHERS



B & R DENOTE CURRENT CARRYING CONDUCTORS
 W DENOTES NEUTRAL CONDUCTOR
 DASHED LINES DENOTE BY OTHERS

FD. PT. N1J

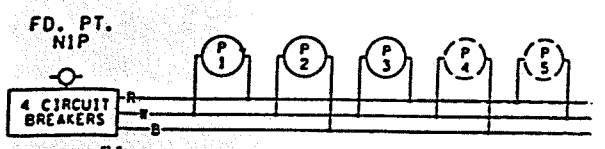
LIGHTING STANDARDS & BASES				
NO	STATION	LT. RT.	LOCATION	TYPE
(3) (1)	1			
	10		T.H. 694 MED.	6BD-49
(1)	2			
	9			
(1)	3			
	8			
(1)	4			
	7			
(3) (1)	5			
	6		T.H. 694 MED.	6BD-49
(4)	11		UNISER CONN	6-40
	12		UNISER CONN	6-40
	13		UNISER	6-40
	14		UNISER	6-40
	15		UNISER	6-40
	16		UNISER	6-40
	17		T.H. 694 WB	9-40
	18		UNISER	6-40
	19		UNISER	6-40
(4)	20		UNISER	6-40

(1) LIGHT ANCHORAGE BY OTHERS
 (3) 250 WATT H.P.S.
 (4) 200 WATT H.P.S.

SHEET TOTAL
 18 - 250 WATT HIGH PRESSURE SODIUM LIGHTING UNITS
 7 - 200 WATT HIGH PRESSURE SODIUM LIGHTING UNITS

EXHIBIT 52D
 T.H. 694
 BET. T.H. 47 & T.H. 65
 IN FRIDLEY
 N.S.P.

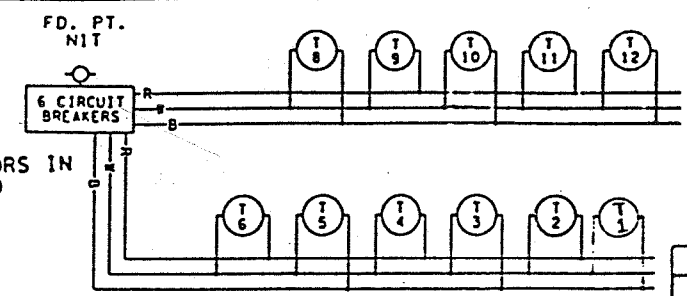
FD. PTS. N1J, N1L



B & R DENOTE CURRENT CARRYING CONDUCTORS
W DENOTES NEUTRAL CONDUCTOR

FD. PT. N1P

LIGHTING STANDARDS & BASES					
NO.	STATION	LT.	RT.	LOCATION	TYPE
1	13+00	-	-	CENNWR	6-40 (4)
2	15+50	-	-	CENNWR	6-40
3	18+00	-	-	CENNWR	6-40
4	20+50	-	-	CENNWR	6-40
5	23+00	-	-	CENNWR	6-40



FD PT NIT

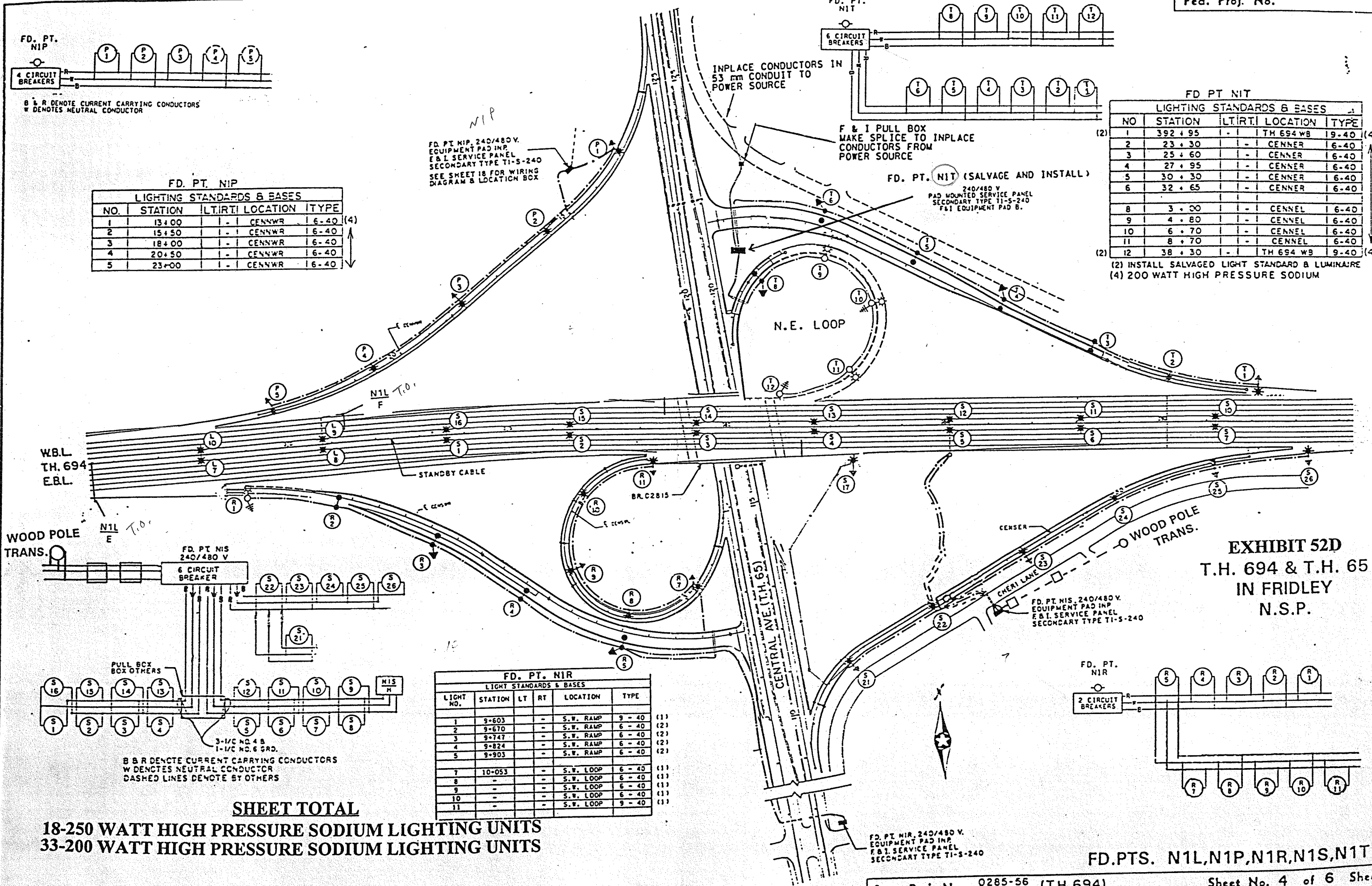
LIGHTING STANDARDS & BASES					
NO.	STATION	LT.	RT.	LOCATION	TYPE
(2) 1	392+95	-	-	TH 694 WB	19-40 (4)
2	23+30	-	-	CENNER	6-40
3	25+60	-	-	CENNER	6-40
4	27+95	-	-	CENNER	6-40
5	30+30	-	-	CENNER	6-40
6	32+65	-	-	CENNER	6-40
8	3+00	-	-	CENNEL	6-40
9	4+80	-	-	CENNEL	6-40
10	6+70	-	-	CENNEL	6-40
11	8+70	-	-	CENNEL	6-40
(2) 12	38+30	-	-	TH 694 WB	9-40 (4)

(2) INSTALL SALVAGED LIGHT STANDARD & LUMINAIRE
(4) 200 WATT HIGH PRESSURE SODIUM

FD. PT. N1P, 240/480V.
EQUIPMENT PAD INP.
F&I SERVICE PANEL
SECONDARY TYPE TI-S-240
SEE SHEET 18 FOR WIRING
DIAGRAM & LOCATION BOX

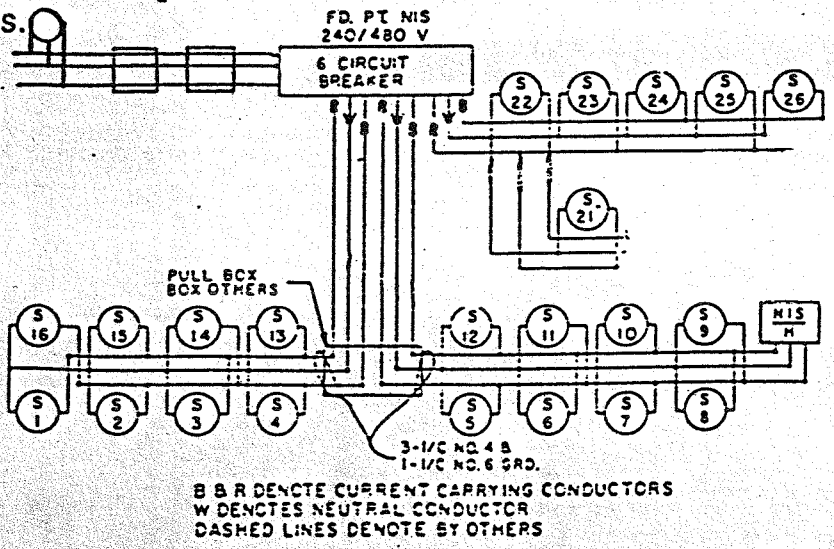
F & I PULL BOX
MAKE SPLICE TO INPLACE
CONDUCTORS FROM
POWER SOURCE

FD. PT. NIT (SALVAGE AND INSTALL)
240/480 V
PAD MOUNTED SERVICE PANEL
SECONDARY TYPE TI-S-240
F&I EQUIPMENT PAD B.

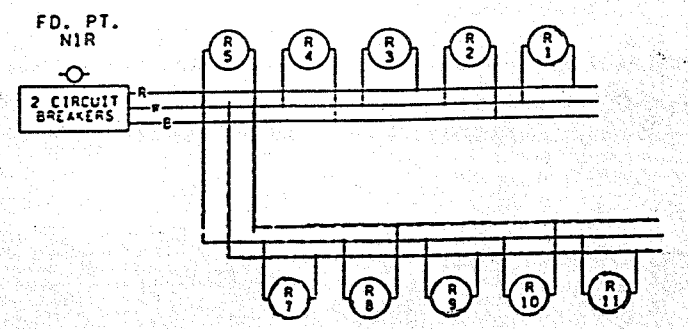


FD. PT. N1R

LIGHT STANDARDS & BASES					
LIGHT NO.	STATION	LT.	RT.	LOCATION	TYPE
1	9+603	-	-	S.W. RAMP	9-40 (1)
2	9+670	-	-	S.W. RAMP	6-40 (2)
3	9+747	-	-	S.W. RAMP	6-40 (2)
4	9+824	-	-	S.W. RAMP	6-40 (2)
5	9+903	-	-	S.W. RAMP	6-40 (2)
7	10+053	-	-	S.W. LOOP	6-40 (1)
8	-	-	-	S.W. LOOP	6-40 (1)
9	-	-	-	S.W. LOOP	6-40 (1)
10	-	-	-	S.W. LOOP	6-40 (1)
11	-	-	-	S.W. LOOP	9-40 (1)



B & R DENOTE CURRENT CARRYING CONDUCTORS
W DENOTES NEUTRAL CONDUCTOR
DASHED LINES DENOTE BY OTHERS



SHEET TOTAL
18-250 WATT HIGH PRESSURE SODIUM LIGHTING UNITS
33-200 WATT HIGH PRESSURE SODIUM LIGHTING UNITS

EXHIBIT 52D
T.H. 694 & T.H. 65
IN FRIDLEY
N.S.P.

FD. PT. N1R, 240/480V.
EQUIPMENT PAD INP.
F&I SERVICE PANEL
SECONDARY TYPE TI-S-240

FD. PTS. N1L, N1P, N1R, N1S, N1T