

LEGEND

- PAD MOUNTED SOURCE OF POWER
- * HIGH PRESSURE SODIUM LIGHTING UNIT
- ** HIGH PRESSURE SODIUM TWIN MAST ARM LIGHTING UNIT
- INPLACE COMBINATION SIGNAL & LIGHTING UNIT
- INSTALL SALVAGED LIGHT STANDARD & LUMINAIRE
- ⊳ HIGH PRESSURE SODIUM UNDERPASS LIGHT
- INPLACE CONDUIT OR BY OTHERS
- 3" RIGID STEEL CONDUIT
- PULL BOX BY OTHERS
- PULL BOX
- ⊳ PERMANENT GROUND ROD (25 OHMS OR LESS)
- ARMORED CABLE BY OTHERS
- DIRECT BURIED POWER CABLE 3 WIRE NO. 4
- A.W.G. ARMORED CABLE SPEC. NO. 3804 & 3805
- OVERHEAD SIGN BY OTHERS
- PROVIDE ONE ADDITIONAL CONDUIT ELBOW FOR OVERHEAD SIGN LIGHTS
- ⊳ INPLACE LIGHTING UNIT
- ⊳ F. & I. 250 WATT HIGH PRESSURE SODIUM LUMINAIRE ON INPLACE SIGNAL & LIGHTING UNIT

FD PT NIH

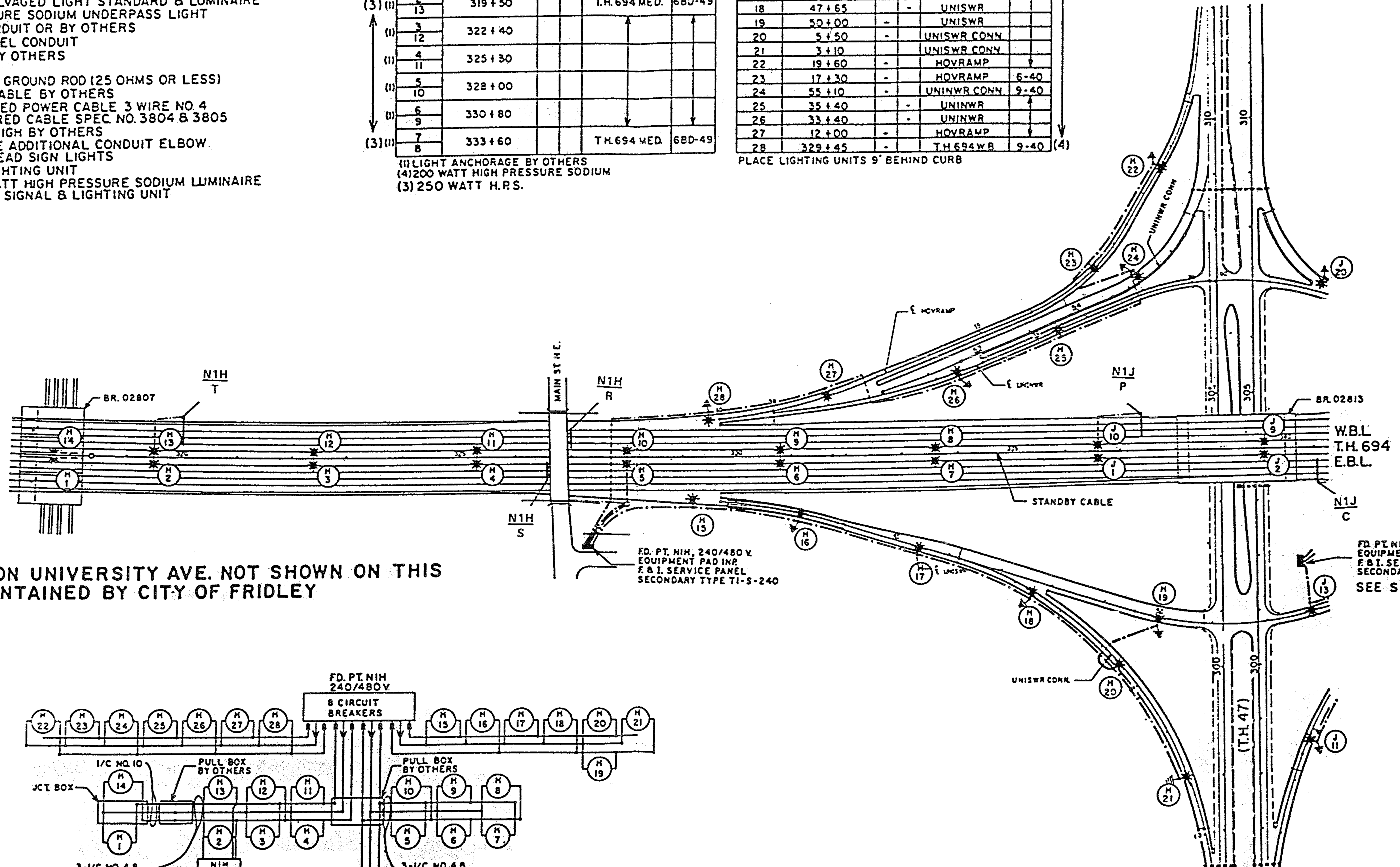
LIGHTING STANDARDS & BASES					
NO	STATION	LT	RT	LOCATION	TYPE
(4) 1	317+70			T.H. 694 F.B.	L
(4) 14	317+70			T.H. 694 W.B.	L
(3) (1) 2	319+50			T.H. 694 MED.	680-49
(1) 13					
(1) 3	322+40				
(1) 12					
(1) 4	325+30				
(1) 11					
(1) 5	328+00				
(1) 10					
(1) 6	330+80				
(1) 9					
(3) (1) 7	333+60			T.H. 694 MED.	680-49
(1) 8					

(1) LIGHT ANCHORAGE BY OTHERS
 (4) 200 WATT HIGH PRESSURE SODIUM
 (3) 250 WATT H.P.S.

FD PT NIJ

LIGHTING STANDARDS & BASES					
NO	STATION	LT	RT	LOCATION	TYPE
15	329+20	-	-	T.H. 694 F.B.	9-40
16	43+20	-	-	UNISWR	6-40
17	45+45	-	-	UNISWR	
18	47+65	-	-	UNISWR	
19	50+00	-	-	UNISWR	
20	5+50	-	-	UNISWR CONN	
21	3+10	-	-	UNISWR CONN	
22	19+60	-	-	HOVRAMP	
23	17+30	-	-	HOVRAMP	6-40
24	55+10	-	-	UNINWR CONN	9-40
25	35+40	-	-	UNINWR	
26	33+40	-	-	UNINWR	
27	12+00	-	-	HOVRAMP	
28	329+45	-	-	T.H. 694 W.B.	9-40

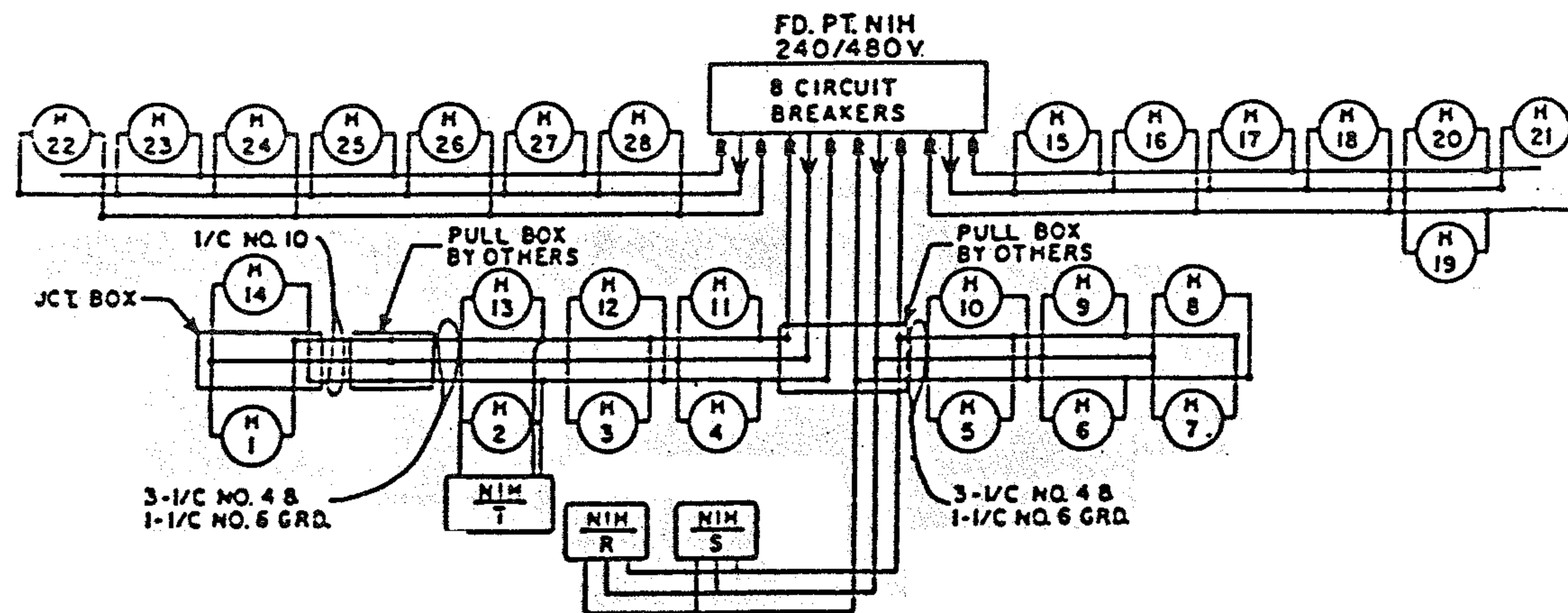
PLACE LIGHTING UNITS 9' BEHIND CURB



LIGHTING UNITS ON UNIVERSITY AVE. NOT SHOWN ON THIS EXHIBIT ARE MAINTAINED BY CITY OF FRIDLEY

FD. PT. NIJ, 240/480 V. EQUIPMENT PAD INP. F. & I. SERVICE PANEL SECONDARY TYPE TI-S-240

FD. PT. NIJ, 240/480 V. EQUIPMENT PAD INP. F. & I. SERVICE PANEL SECONDARY TYPE TI-S-240 SEE SHEET 3



B & R DENOTE CURRENT CARRYING CONDUCTORS
 W DENOTES NEUTRAL CONDUCTOR
 DASHED LINES DENOTE BY OTHERS

FD.PTS. N1H.N1J

EXHIBIT 52D
T.H. 694 & T.H. 47
IN FRIDLEY
N.S.P.