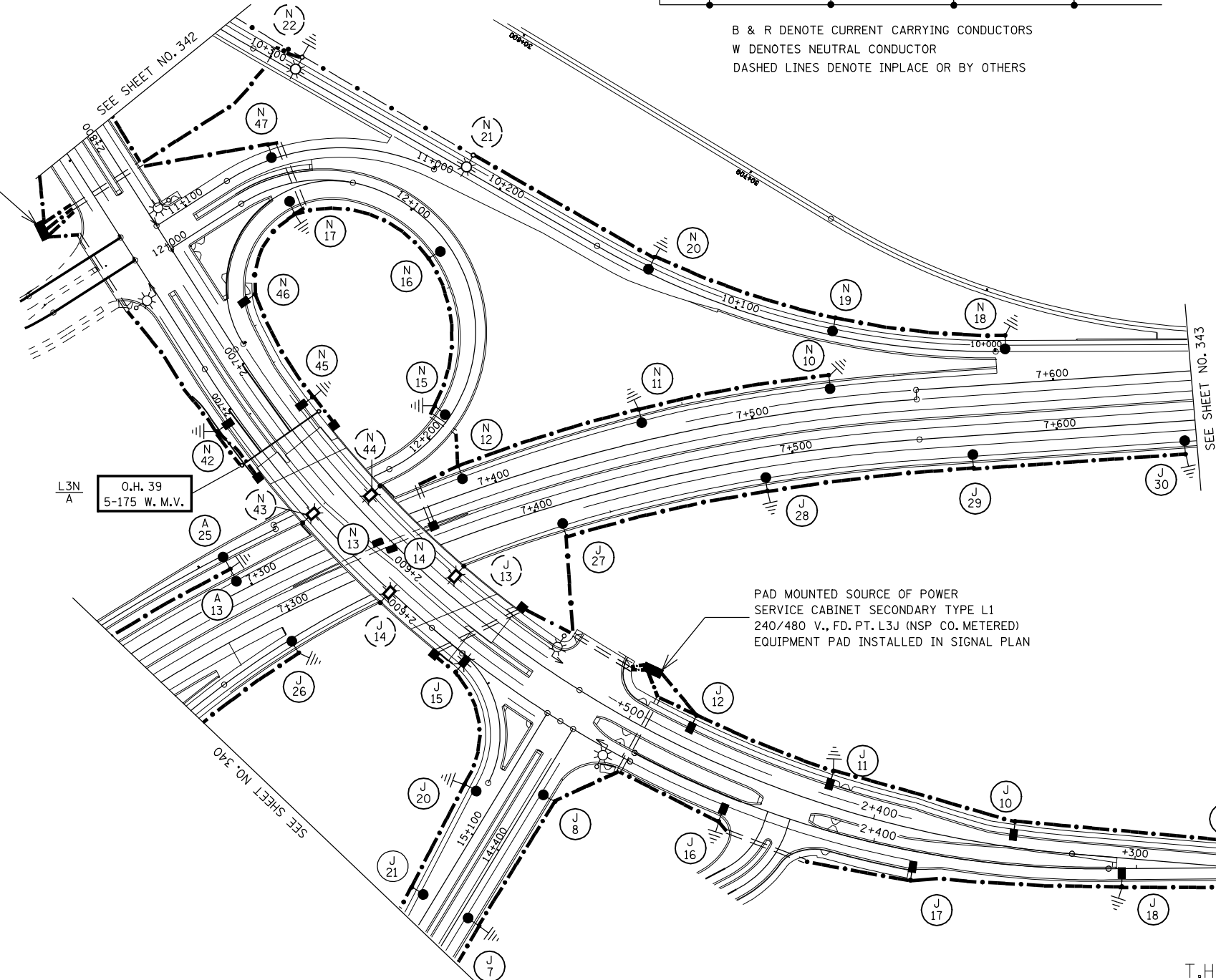


FD. PT. L3J
LIGHTING STANDARDS AND BASES

NO.	STATION	LT.	RT.	LOCATION	TYPE
(7)	1	14+042	—	S.W. RAMP	3-4.6
(5)	2	14+097	—	S.W. RAMP	3-6
(5)	3	14+152	—	S.W. RAMP	3-6
(5)	4	14+207	—	S.W. RAMP	3-6
(5)	5	14+262	—	S.W. RAMP	3-6
(7)	6	14+317	—	S.W. RAMP	3-4.6
(5)	7	14+372	—	S.W. RAMP	3-6
(5)	8	14+427	—	S.W. RAMP	3-6
(3)(5)	9	2+251	—	T.H. 55 N.B.	2X-12
(3)(5)	10	2+346	—	T.H. 55 N.B.	2X-12
(3)(5)	11	2+420	—	T.H. 55 N.B.	2X-12
(3)(5)	12	2+478	—	T.H. 55 N.B.	2X-7.6
	13	INP. 2+585	—	T.H. 55 N.B.	2BX-7.6
	14	INP. 2+605	—	T.H. 55 S.B.	2BX-7.6
(3)(5)	15	2+570	—	T.H. 55 S.B.	2X-7.6
(3)(5)	16	2+457	—	T.H. 55 S.B.	2X-7.6
(3)(5)	17	2+384	—	T.H. 55 S.B.	2X-12
(3)(5)	18	2+305	—	T.H. 55 S.B.	2X-12
	19	2+200	—	T.H. 55 S.B.	2X-12
(5)	20	15+085	—	S.W. LOOP	3-7.6
(5)	21	15+128	—	S.W. LOOP	3-7.6
(5)	22	15+180	—	S.W. LOOP	3-7.6
(5)	23	15+230	—	S.W. LOOP	3-9
(5)	24	15+285	—	S.W. LOOP	3-12
(9)	25	15+348	—	S.W. LOOP	3-12
(9)	26	7+295	—	T.H. 62 E.B.	4-12
(9)	27	7+408	—	T.H. 55 E.B.	4-12
(9)	28	7+488	—	T.H. 55 E.B.	4-12
(9)	29	7+568	—	T.H. 55 E.B.	4-12
(5)	30	7+648	—	T.H. 55 E.B.	4-12

- (3) PLACE 3 m BEHIND BIT, SHOULDER OR CURB
- (5) INSTALL STATE FURNISHED LIGHTING UNIT ON DESIGN E FOUNDATION
- (7) 150 WATT HIGH PRESSURE SODIUM LIGHTING UNIT
- (9) INSTALL STATE FURNISHED LIGHTING UNIT ON LIGHT BASE DESIGN SPECIAL

PAD MOUNTED SOURCE OF POWER
SERVICE CABINET SECONDARY TYPE L2
240/480 V., FD. PT. L3N (NSP CO. METERED)
EQUIPMENT PAD INSTALLED IN SIGNAL PLAN



PAD MOUNTED SOURCE OF POWER
SERVICE CABINET SECONDARY TYPE L1
240/480 V., FD. PT. L3J (NSP CO. METERED)
EQUIPMENT PAD INSTALLED IN SIGNAL PLAN

T.H. 62 AT T.H. 55
F.P. R04A, L03J, & L03N

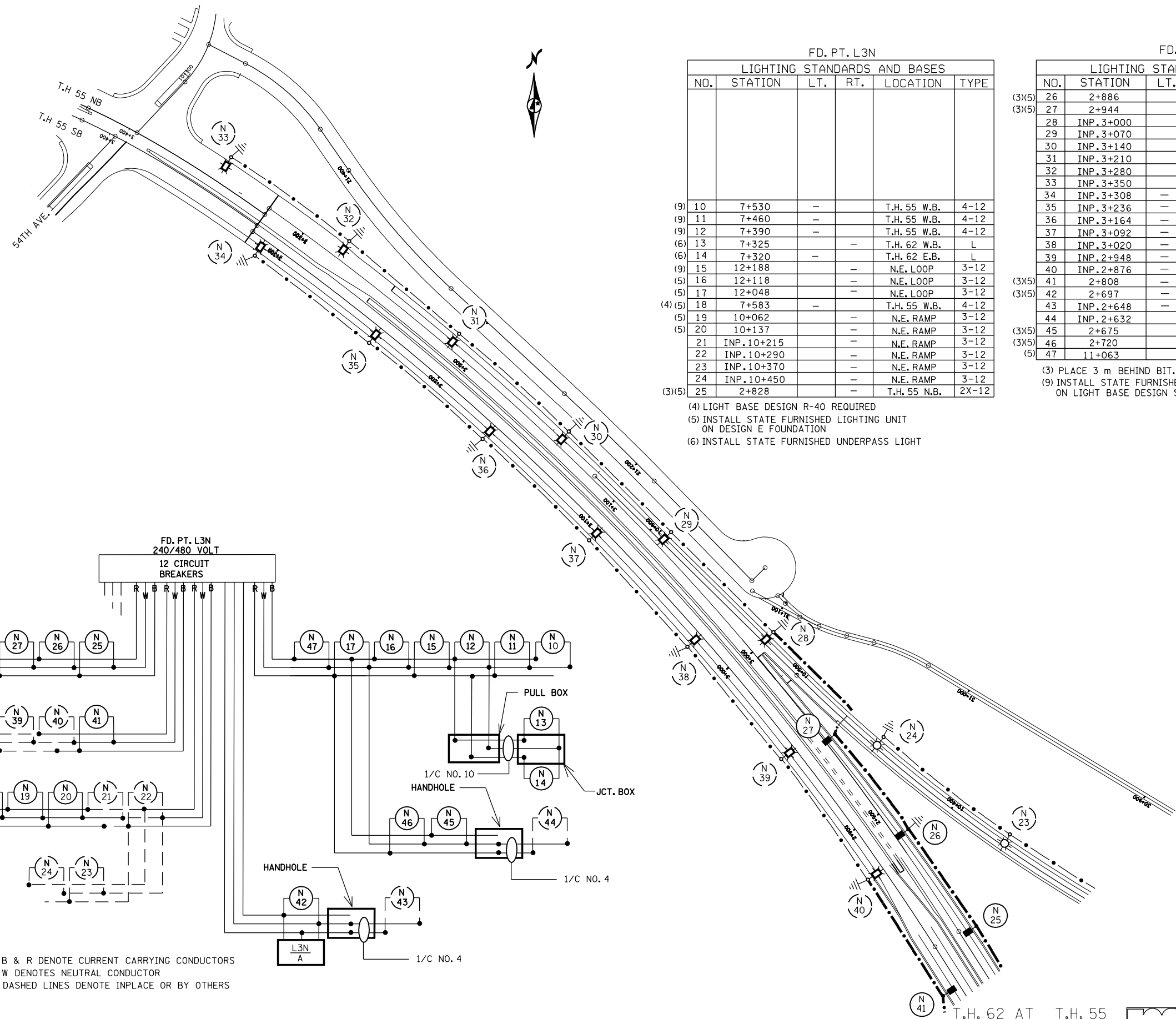


LIGHTING PLAN

CERTIFIED BY _____ LIC. NO. _____
LICENSED PROFESSIONAL ENGINEER

State Proj. No. 2725-59 (T.H. 55)

Sheet No. 341 of 466 Sheets



FD. PT. L3N

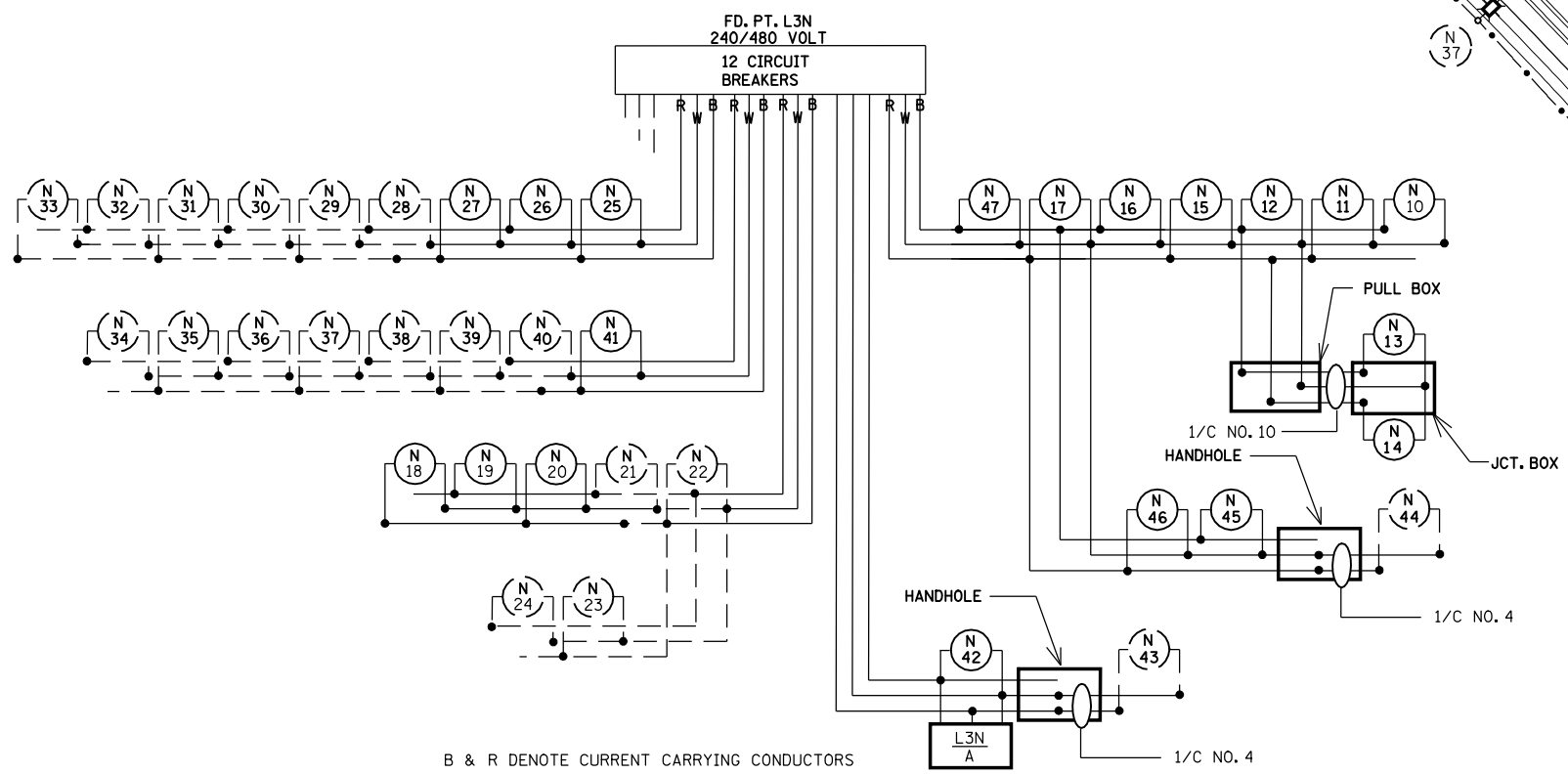
LIGHTING STANDARDS AND BASES					
NO.	STATION	LT.	RT.	LOCATION	TYPE
(9)	10	7+530	-	T.H. 55 W.B.	4-12
(9)	11	7+460	-	T.H. 55 W.B.	4-12
(9)	12	7+390	-	T.H. 55 W.B.	4-12
(6)	13	7+325	-	T.H. 62 W.B.	L
(6)	14	7+320	-	T.H. 62 E.B.	L
(9)	15	12+188	-	N.E. LOOP	3-12
(5)	16	12+118	-	N.E. LOOP	3-12
(5)	17	12+048	-	N.E. LOOP	3-12
(4)(5)	18	7+583	-	T.H. 55 W.B.	4-12
(5)	19	10+062	-	N.E. RAMP	3-12
(5)	20	10+137	-	N.E. RAMP	3-12
	21	INP. 10+215	-	N.E. RAMP	3-12
	22	INP. 10+290	-	N.E. RAMP	3-12
	23	INP. 10+370	-	N.E. RAMP	3-12
	24	INP. 10+450	-	N.E. RAMP	3-12
(3)(5)	25	2+828	-	T.H. 55 N.B.	2X-12

FD. PT. L3N

LIGHTING STANDARDS AND BASES					
NO.	STATION	LT.	RT.	LOCATION	TYPE
(3)(5)	26	2+886	-	T.H. 55 N.B.	2X-12
(3)(5)	27	2+944	-	T.H. 55 N.B.	2X-12
	28	INP. 3+000	-	T.H. 55 N.B.	2X-12
	29	INP. 3+070	-	T.H. 55 N.B.	2X-12
	30	INP. 3+140	-	T.H. 55 N.B.	2X-12
	31	INP. 3+210	-	T.H. 55 N.B.	2X-12
	32	INP. 3+280	-	T.H. 55 N.B.	2X-12
	33	INP. 3+350	-	T.H. 55 N.B.	2X-12
	34	INP. 3+308	-	T.H. 55 S.B.	2X-12
	35	INP. 3+236	-	T.H. 55 S.B.	2X-12
	36	INP. 3+164	-	T.H. 55 S.B.	2X-12
	37	INP. 3+092	-	T.H. 55 S.B.	2X-12
	38	INP. 3+020	-	T.H. 55 S.B.	2X-12
	39	INP. 2+948	-	T.H. 55 S.B.	2X-12
(3)(5)	40	INP. 2+876	-	T.H. 55 S.B.	2X-12
(3)(5)	41	2+808	-	T.H. 55 S.B.	2X-12
(3)(5)	42	2+697	-	T.H. 55 S.B.	2X-7.6
	43	INP. 2+648	-	T.H. 55 S.B.	2BX-7.6
	44	INP. 2+632	-	T.H. 55 N.B.	2BX-7.6
(3)(5)	45	2+675	-	T.H. 55 N.B.	2X-7.6
(3)(5)	46	2+720	-	T.H. 55 N.B.	2X-12
(5)	47	11+063	-	RAMP CONN.	3-12

- (4) LIGHT BASE DESIGN R-40 REQUIRED
- (5) INSTALL STATE FURNISHED LIGHTING UNIT ON DESIGN E FOUNDATION
- (6) INSTALL STATE FURNISHED UNDERPASS LIGHT

- (3) PLACE 3 m BEHIND BIT. SHOULDER OR CURB
- (9) INSTALL STATE FURNISHED LIGHTING UNIT ON LIGHT BASE DESIGN SPECIAL



B & R DENOTE CURRENT CARRYING CONDUCTORS
 W DENOTES NEUTRAL CONDUCTOR
 DASHED LINES DENOTE INPLACE OR BY OTHERS