

# LEGEND

- INP. PAD MOUNTED SOURCE OF POWER (240/480 V METERED)
- PAD MOUNTED SOURCE OF POWER (240/480 V METERED)
- INSTALL 250 WATT HIGH PRESSURE SODIUM LIGHTING UNIT
- ⊙ HIGH PRESSURE SODIUM LIGHTING UNIT, WATTAGE AS INDICATED ON PLAN
- ⊙⊙ HIGH PRESSURE SODIUM TWIN MAST ARM LIGHTING UNIT, WATTAGE AS INDICATED ON PLAN
- INSTALL 250 WATT HIGH PRESSURE SODIUM TWIN MAST ARM LIGHTING UNIT
- ⊙⊙ INPLACE LIGHTING UNIT, F. & I. 250 WATT HIGH PRESSURE SODIUM LUMINAIRE WHERE INDICATED ON PLAN
- ⊎ INPLACE UNDERPASS LIGHTING UNIT
- INSTALL 250 WATT HIGH PRESSURE SODIUM UNDERPASS LIGHTING UNIT
- INPLACE RIGID STEEL CONDUIT
- == 78 mm RIGID STEEL CONDUIT
- .- INPLACE ARMORED CABLE
- DIRECT BURIED POWER CABLE 3 CONDUCTOR NO. 4 AWG ARMORED CABLE SPEC NO. 3815
- ⊎ PERMANENT GROUND ROD (25 OHMS OR LESS)
- HANDHOLE
- OVERHEAD SIGN BY OTHERS

PAD MOUNTED SOURCE OF POWER SERVICE CABINET SECONDARY TYPE L1 240/480 V., FD. PT. R4A (METERED) EQUIPMENT PAD B REQUIRED. USE INPLACE CONDUIT AND CABLE TO N.S.P. TRANSFORMER.

O.H. 12 2-175 W.M.V. R4A A

FD. PT. R4A

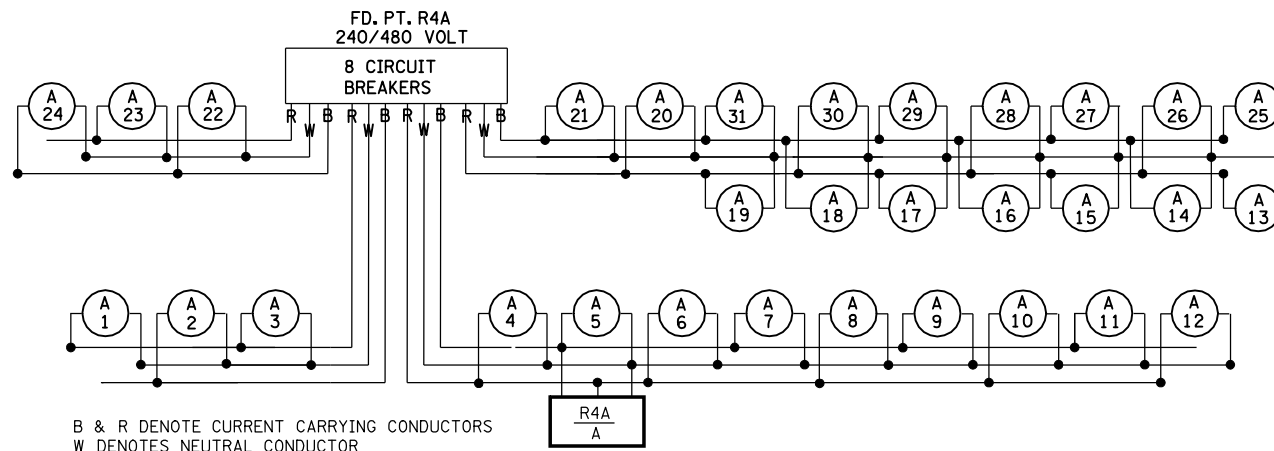
LIGHTING STANDARDS AND BASES					
NO.	STATION	LT.	RT.	LOCATION	TYPE
(1)	1	6+502	—	T.H. 62 E.B.	3-15
(1)	2	6+595	—	T.H. 62 E.B.	3-15
(5)	3	6+680	—	T.H. 62 E.B.	4-12
(5)	4	6+750	—	T.H. 62 E.B.	4-12
(5)	5	6+820	—	T.H. 62 E.B.	4-12
(5)	6	6+880	—	T.H. 62 E.B.	4-9
(5)	7	6+925	—	T.H. 62 E.B.	3-6
(7)	8	6+970	—	T.H. 62 E.B.	3-4.6
(5)	9	7+020	—	T.H. 62 E.B.	3-6
(5)	10	7+080	—	T.H. 62 E.B.	4-9
(9)	11	7+150	—	T.H. 62 E.B.	4-9
(9)	12	7+220	—	T.H. 62 E.B.	4-12
(9)	13	7+295	—	T.H. 62 W.B.	3D-12
(9)	14	7+220	—	T.H. 62 W.B.	3D-12
(9)	15	7+155	—	T.H. 62 W.B.	3D-9
(8)	16	7+095	—	T.H. 62 W.B.	3D-7.6
(5)	17	7+035	—	T.H. 62 W.B.	3D-6
(7)	18	6+985	—	T.H. 62 W.B.	3D-4.6
(5)	19	6+925	—	T.H. 62 W.B.	3D-9
(5)	20	6+855	—	T.H. 62 W.B.	4-12
(5)	21	6+781	—	T.H. 62 W.B.	4-12
(5)	22	6+716	—	T.H. 62 W.B.	4-12
(1)	23	6+675	—	T.H. 62 W.B.	3-15
(1)	24	6+555	—	T.H. 62 W.B.	3-15

- (1) INSTALL SALVAGED LIGHTING UNIT ON NEW DESIGN H FOUNDATION.
- (5) INSTALL STATE FURNISHED LIGHTING UNIT ON DESIGN E FOUNDATION

FD. PT. R4A

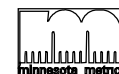
LIGHTING STANDARDS AND BASES					
NO.	STATION	LT.	RT.	LOCATION	TYPE
(9)	15	7+155	—	T.H. 62 W.B.	3D-9
(8)	16	7+095	—	T.H. 62 W.B.	3D-7.6
(5)	17	7+035	—	T.H. 62 W.B.	3D-6
(7)	18	6+985	—	T.H. 62 W.B.	3D-4.6
(5)	19	6+925	—	T.H. 62 W.B.	3D-9
(5)	20	6+855	—	T.H. 62 W.B.	4-12
(5)	21	6+781	—	T.H. 62 W.B.	4-12
(5)	22	6+716	—	T.H. 62 W.B.	4-12
(1)	23	6+675	—	T.H. 62 W.B.	3-15
(1)	24	6+555	—	T.H. 62 W.B.	3-15

- (7) 150 WATT HIGH PRESSURE SODIUM LIGHTING UNIT
- (8) 250 WATT HIGH PRESSURE SODIUM LIGHTING UNIT
- (9) INSTALL STATE FURNISHED LIGHTING UNIT ON LIGHT BASE DESIGN SPECIAL
- (10) 250 WATT HIGH PRESSURE SODIUM LIGHTING UNIT ON LIGHT BASE DESIGN SPECIAL



B & R DENOTE CURRENT CARRYING CONDUCTORS  
W DENOTES NEUTRAL CONDUCTOR

T.H. 62 AT T.H. 55  
F.P. R04A & L03J

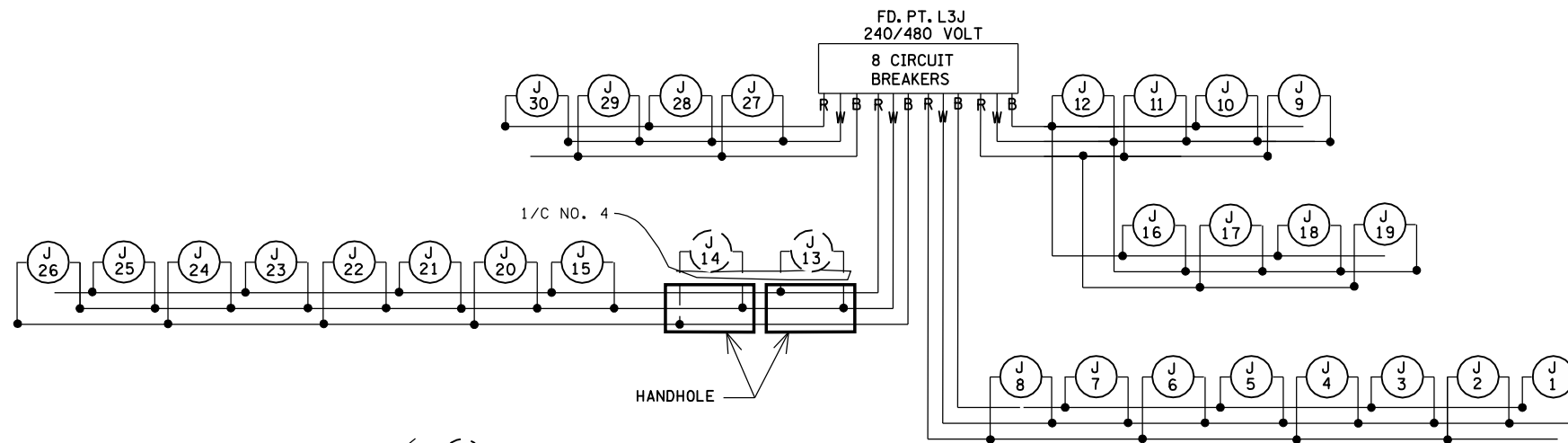


## LIGHTING PLAN

CERTIFIED BY \_\_\_\_\_ LIC. NO. \_\_\_\_\_  
LICENSED PROFESSIONAL ENGINEER

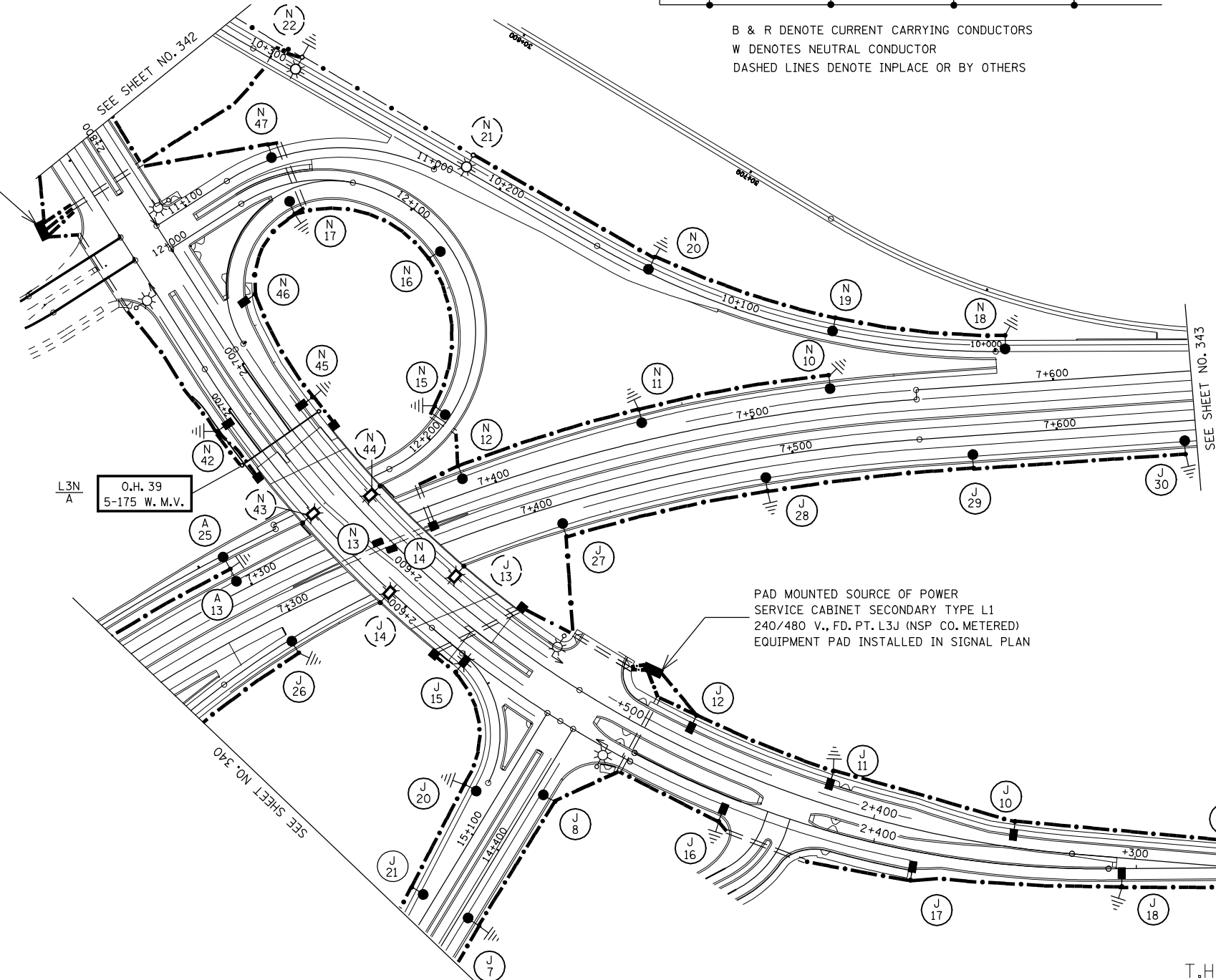
State Proj. No. 2725-59 (T.H. 55)

Sheet No. 340 of 466 Sheets



B & R DENOTE CURRENT CARRYING CONDUCTORS  
 W DENOTES NEUTRAL CONDUCTOR  
 DASHED LINES DENOTE INPLACE OR BY OTHERS

PAD MOUNTED SOURCE OF POWER  
 SERVICE CABINET SECONDARY TYPE L2  
 240/480 V., FD. PT. L3N (NSP CO. METERED)  
 EQUIPMENT PAD INSTALLED IN SIGNAL PLAN



FD. PT. L3J

LIGHTING STANDARDS AND BASES					
NO.	STATION	LT.	RT.	LOCATION	TYPE
(7)	1	14+042	—	S.W. RAMP	3-4.6
(5)	2	14+097	—	S.W. RAMP	3-6
(5)	3	14+152	—	S.W. RAMP	3-6
(5)	4	14+207	—	S.W. RAMP	3-6
(5)	5	14+262	—	S.W. RAMP	3-6
(7)	6	14+317	—	S.W. RAMP	3-4.6
(5)	7	14+372	—	S.W. RAMP	3-6
(5)	8	14+427	—	S.W. RAMP	3-6
(3)(5)	9	2+251	—	T.H. 55 N.B.	2X-12
(3)(5)	10	2+346	—	T.H. 55 N.B.	2X-12
(3)(5)	11	2+420	—	T.H. 55 N.B.	2X-12
(3)(5)	12	2+478	—	T.H. 55 N.B.	2X-7.6
	13	INP. 2+585	—	T.H. 55 N.B.	2BX-7.6
	14	INP. 2+605	—	T.H. 55 S.B.	2BX-7.6
(3)(5)	15	2+570	—	T.H. 55 S.B.	2X-7.6
(3)(5)	16	2+457	—	T.H. 55 S.B.	2X-7.6
(3)(5)	17	2+384	—	T.H. 55 S.B.	2X-12
(3)(5)	18	2+305	—	T.H. 55 S.B.	2X-12
	19	2+200	—	T.H. 55 S.B.	2X-12
(5)	20	15+085	—	S.W. LOOP	3-7.6
(5)	21	15+128	—	S.W. LOOP	3-7.6
(5)	22	15+180	—	S.W. LOOP	3-7.6
(5)	23	15+230	—	S.W. LOOP	3-9
(5)	24	15+285	—	S.W. LOOP	3-12
(9)	25	15+348	—	S.W. LOOP	3-12
(9)	26	7+295	—	T.H. 62 E.B.	4-12
(9)	27	7+408	—	T.H. 55 E.B.	4-12
(9)	28	7+488	—	T.H. 55 E.B.	4-12
(9)	29	7+568	—	T.H. 55 E.B.	4-12
(5)	30	7+648	—	T.H. 55 E.B.	4-12

- (3) PLACE 3 m BEHIND BIT, SHOULDER OR CURB
- (5) INSTALL STATE FURNISHED LIGHTING UNIT ON DESIGN E FOUNDATION
- (7) 150 WATT HIGH PRESSURE SODIUM LIGHTING UNIT
- (9) INSTALL STATE FURNISHED LIGHTING UNIT ON LIGHT BASE DESIGN SPECIAL

PAD MOUNTED SOURCE OF POWER  
 SERVICE CABINET SECONDARY TYPE L1  
 240/480 V., FD. PT. L3J (NSP CO. METERED)  
 EQUIPMENT PAD INSTALLED IN SIGNAL PLAN

T.H. 62 AT T.H. 55  
 F.P. R04A, L03J, & L03N



LIGHTING PLAN

CERTIFIED BY \_\_\_\_\_ LIC. NO. \_\_\_\_\_  
 LICENSED PROFESSIONAL ENGINEER

State Proj. No. 2725-59 (T.H. 55)

Sheet No. 341 of 466 Sheets