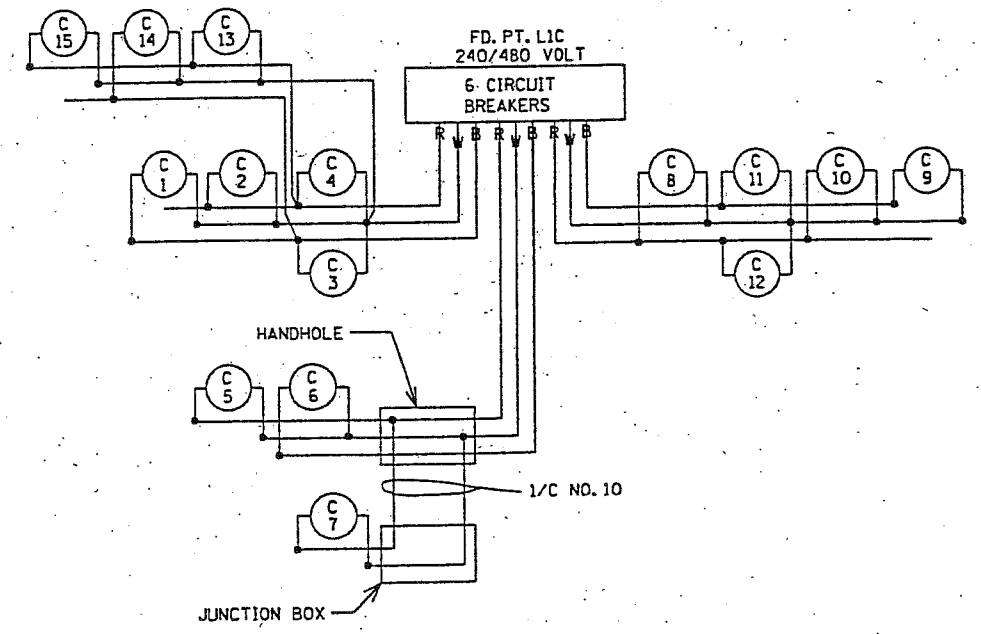
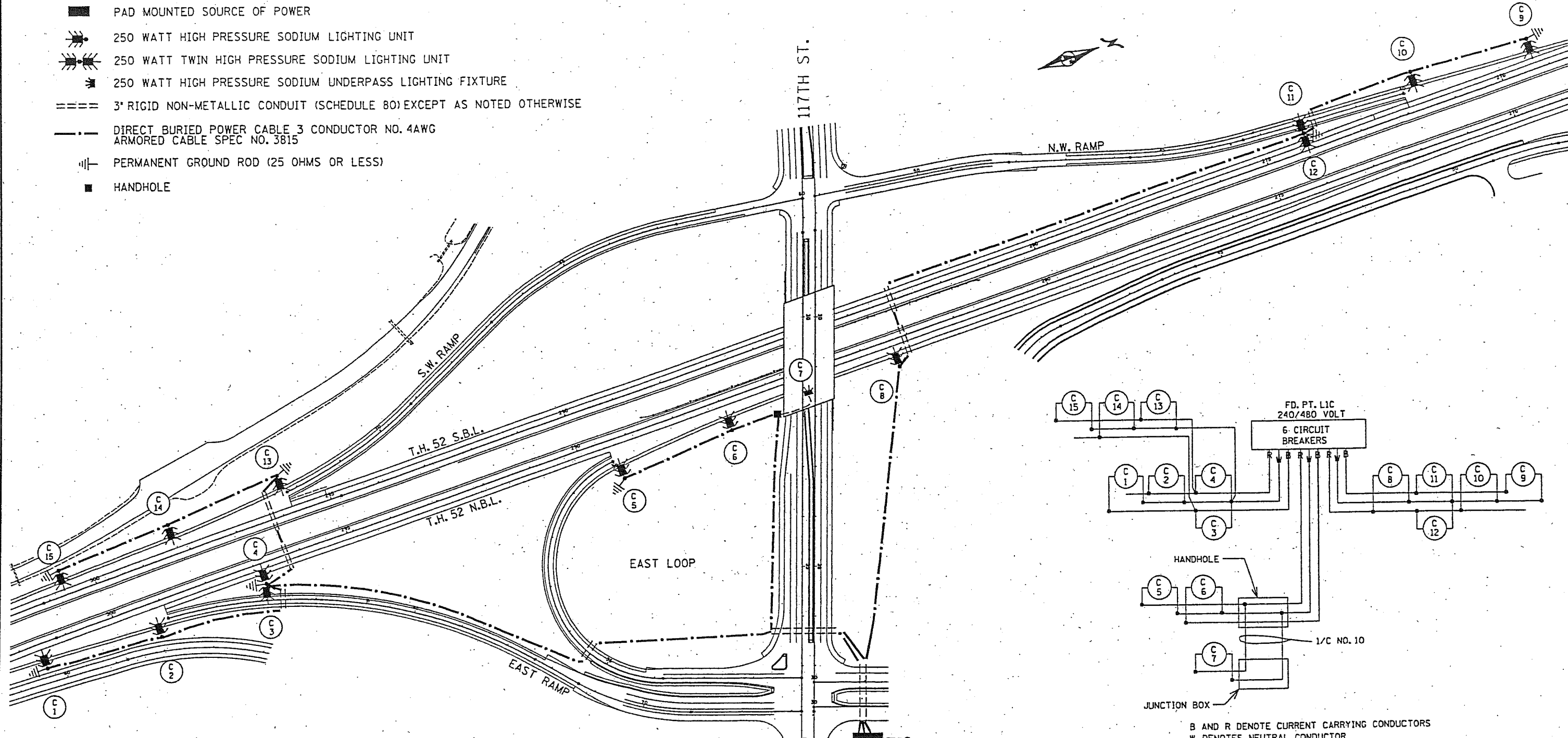


LEGEND

- PAD MOUNTED SOURCE OF POWER
- ☼ 250 WATT HIGH PRESSURE SODIUM LIGHTING UNIT
- ☼☼ 250 WATT TWIN HIGH PRESSURE SODIUM LIGHTING UNIT
- ☼ 250 WATT HIGH PRESSURE SODIUM UNDERPASS LIGHTING FIXTURE
- ==== 3" RIGID NON-METALLIC CONDUIT (SCHEDULE 80) EXCEPT AS NOTED OTHERWISE
- DIRECT BURIED POWER CABLE 3 CONDUCTOR NO. 4AWG ARMORED CABLE SPEC NO. 3815
- ⊥ PERMANENT GROUND ROD (25 OHMS OR LESS)
- HANDHOLE



B AND R DENOTE CURRENT CARRYING CONDUCTORS
W DENOTES NEUTRAL CONDUCTOR

PAD MOUNTED SOURCE OF POWER
SERVICE CABINET SECONDARY TYPE L1
FD. PT. LIC, 240/480 VOLT (METERED)
SEE SIGNAL PLAN FOR EQUIPMENT PAD
DETAIL

FD. PT. LIC

LIGHTING STANDARDS AND BASES				
NO.	STATION	LT.	RT.	LOCATION TYPE
1	301+60	-	-	T.H. 52 N.B.L. VM-45
2	299+20	-	-	T.H. 52 N.B.L. VM-45
3	296+90	-	-	T.H. 52 N.B.L. VMD-45
4	289+30	-	-	T.H. 52 N.B.L. VM-45
5	286+95	-	-	T.H. 52 N.B.L. VM-45
7	285+25	-	-	T.H. 52 N.B.L. L
8	283+35	-	-	T.H. 52 N.B.L. VM-45

FD. PT. LIC

LIGHTING STANDARDS AND BASES				
NO.	STATION	LT.	RT.	LOCATION TYPE
9	269+30	-	-	T.H. 52 S.B.L. VM-45
10	271+70	-	-	T.H. 52 S.B.L. VM-45
11	274+10	-	-	T.H. 52 S.B.L. VMD-45
12	295+90	-	-	T.H. 52 S.B.L. VM-45
13	298+30	-	-	T.H. 52 S.B.L. VM-45
14	298+30	-	-	T.H. 52 S.B.L. VM-45
15	300+70	-	-	T.H. 52 S.B.L. VM-45

SEE DETAIL SHEET FOR PLACEMENT OF LIGHTING UNITS