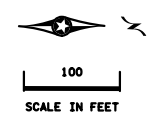


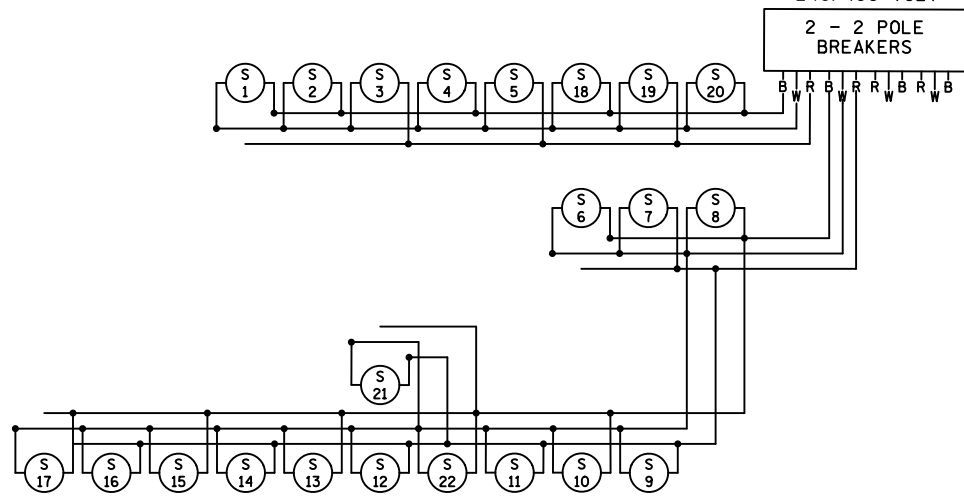
SEE LEGEND SHEET 16



PLOTTED/REVISED: 9/16/2014

DISTRICT #: METRO
 I/PLOT NAME: 1928-60.II.sht18
 PATH & FILENAME: IP_PWP-d\5884\2\1928-60.II.dgn

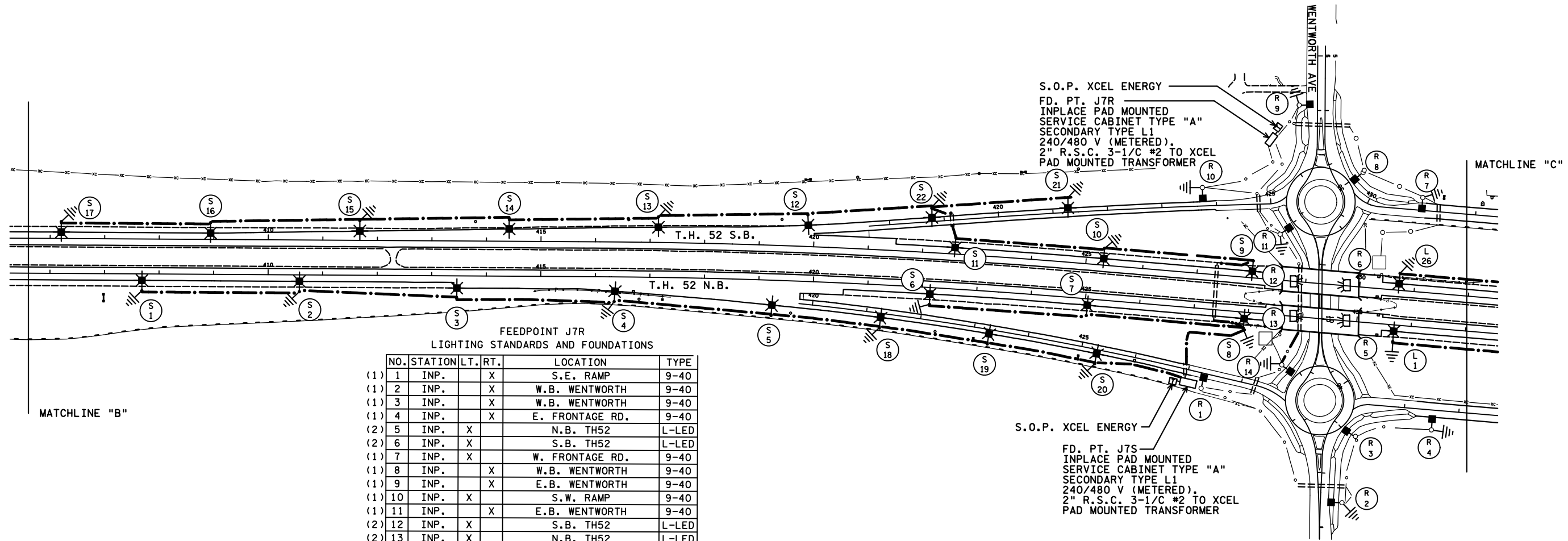
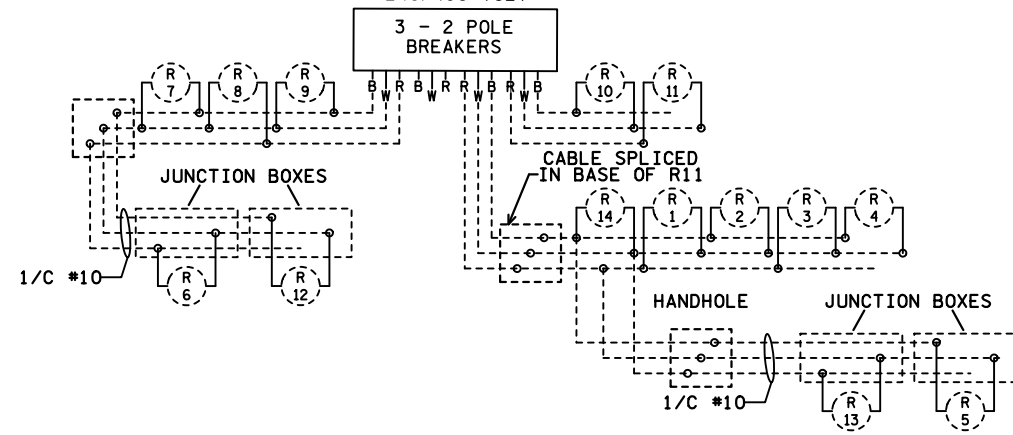
W DENOTES NEUTRAL CONDUCTOR
 B AND R DENOTE CURRENT CARRYING CONDUCTORS
 FD. PT. J7S
 240/480 VOLT



FEEDPOINT J7S
LIGHTING STANDARDS AND FOUNDATIONS

NO.	STATION	LT.	RT.	LOCATION	TYPE
1	407+70		X	T.H. 52 N.B.	9-49
2	410+55		X		9-49
3	413+45		X		9-49
4	416+35		X		9-49
5	419+25		X		9-49
6	422+15		X		9-49
7	425+05		X		9-49
8	427+95		X	T.H. 52 N.B.	9-49
9	428+00	X		T.H. 52 S.B.	9-49
10	425+30	X			9-49
11	422+60	X			9-49
12	419+90	X			9-49
13	417+15	X			9-49
14	414+40	X			9-49
15	411+70	X			9-49
16	408+95	X			9-49
17	406+20	X		T.H. 52 S.B.	9-49
18	421+25		X	WENTWORTH AVE S.E. RAMP	9-40
19	423+30		X	WENTWORTH AVE S.E. RAMP	9-40
20	425+30		X	WENTWORTH AVE S.E. RAMP	9-40
21	421+30	X		WENTWORTH AVE S.W. RAMP	9-40
22	418+80	X		WENTWORTH AVE S.W. RAMP	9-40

W DENOTES NEUTRAL CONDUCTOR
 B AND R DENOTE CURRENT CARRYING CONDUCTORS
 FD. PT. J7R
 240/480 VOLT



FEEDPOINT J7R
LIGHTING STANDARDS AND FOUNDATIONS

NO.	STATION	LT.	RT.	LOCATION	TYPE
(1)	1	INP.	X	S.E. RAMP	9-40
(1)	2	INP.	X	W.B. WENTWORTH	9-40
(1)	3	INP.	X	W.B. WENTWORTH	9-40
(1)	4	INP.	X	E. FRONTAGE RD.	9-40
(2)	5	INP.	X	N.B. TH52	L-LED
(2)	6	INP.	X	S.B. TH52	L-LED
(1)	7	INP.	X	W. FRONTAGE RD.	9-40
(1)	8	INP.	X	W.B. WENTWORTH	9-40
(1)	9	INP.	X	E.B. WENTWORTH	9-40
(1)	10	INP.	X	S.W. RAMP	9-40
(1)	11	INP.	X	E.B. WENTWORTH	9-40
(2)	12	INP.	X	S.B. TH52	L-LED
(2)	13	INP.	X	N.B. TH52	L-LED
(1)	14	INP.	X	E.B. WENTWORTH	9-40

(1) F&I 40' TYPE LUMINAIRE
 (2) F&I TYPE L LUMINAIRE

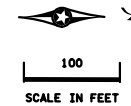
J7S METER ADDRESS: 2455 WENTWORTH AVE SOUTH ST. PAUL 55075
 J7S METER ADDRESS: 400 WENTWORTH AVE WEST ST. PAUL 55118

FEED POINT J7S, J7R, J7L

BY	DATE	REVISIONS	FEEDPOINT: J7S, J7R	LOCATION: TH52 AT WENTWORTH AVE.	LIGHTING PLAN
DRAWN BY: DC CKD BY: GB DATE: 8/2014			CERTIFIED BY <i>Michael P. Libensky</i> LIC. NO. 19863 DATE: 9/16/2014		STATE PROJ. NO. 1928-60 (T.H. 52) SHEET NO. 18 OF 31

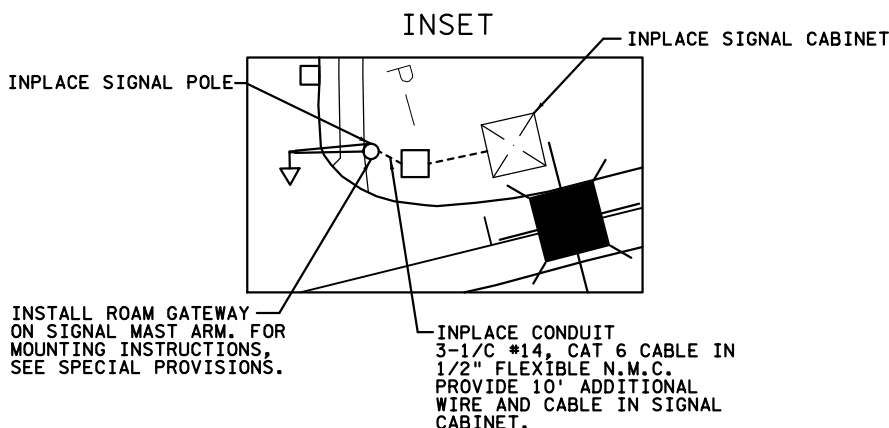
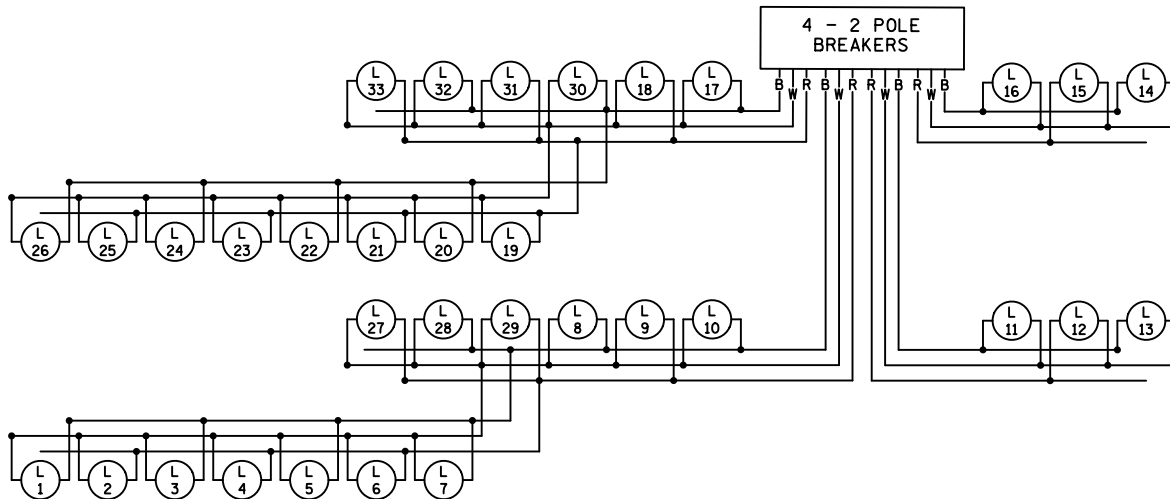
SEE LEGEND SHEET 16

W DENOTES NEUTRAL CONDUCTOR
 B AND R DENOTE CURRENT CARRYING CONDUCTORS
 FD. PT. J7L
 240/480 VOLT

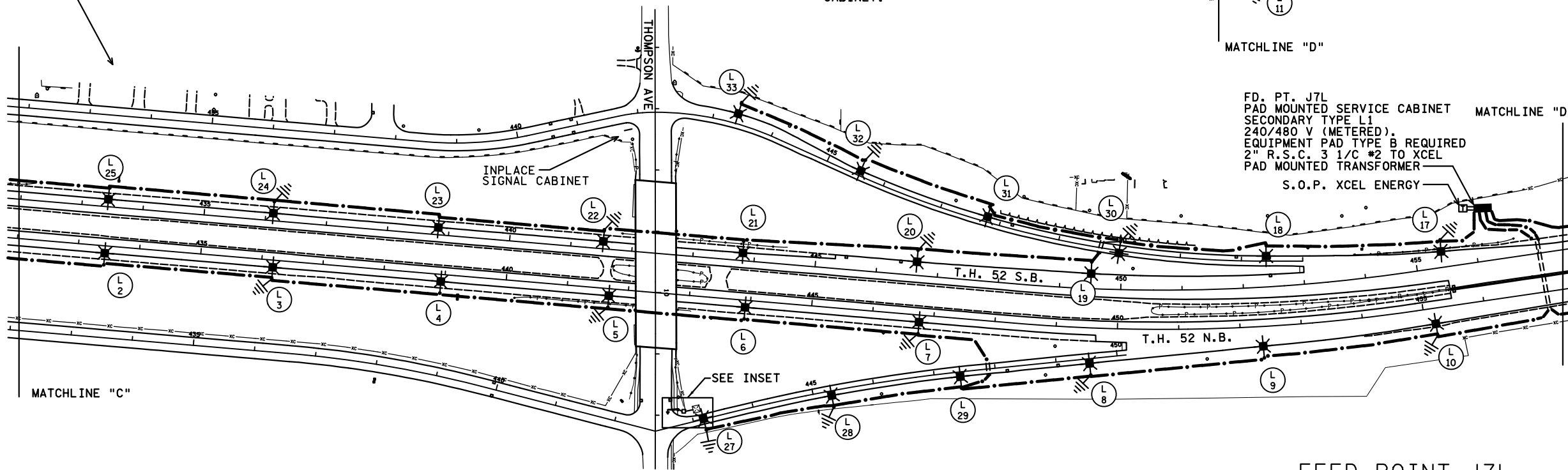
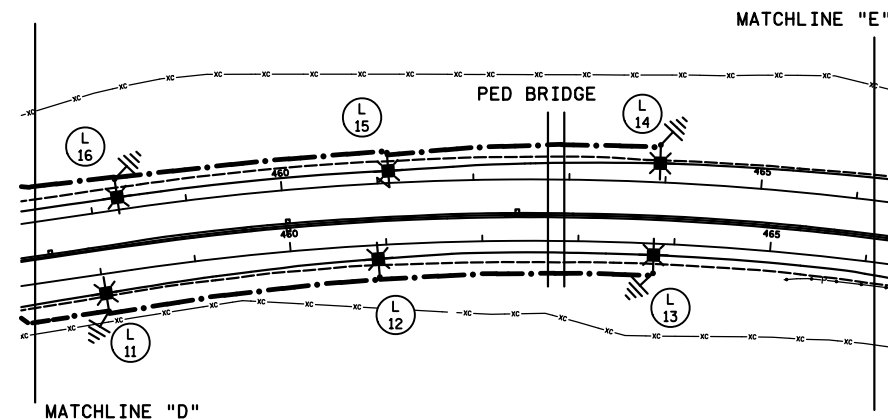


FEEDPOINT J7L
 LIGHTING STANDARDS AND FOUNDATIONS

NO.	STATION	LT.	RT.	LOCATION	TYPE
1	430+70		X	T.H. 52 N.B.	9-49
2	433+45		X		9-49
3	436+20		X		9-49
4	438+95		X		9-49
5	441+70		X		9-49
6	443+90		X		9-49
7	446+75		X		9-49
8	449+60		X		9-49
9	452+40		X		9-49
10	455+20		X		9-49
11	458+05		X		9-49
12	460+90		X		9-49
13	463+80		X	T.H. 52 N.B.	9-49
14	463+95	X		T.H. 52 S.B.	9-49
15	461+10	X			9-49
16	458+30	X			9-49
17	455+45	X			9-49
18	452+40	X			9-49
19	449+50	X			9-49
20	446+65	X			9-49
21	443+80	X			9-49
22	441+50	X			9-49
23	438+80	X			9-49
24	436+10	X			9-49
25	433+40	X			9-49
26	430+70	X		T.H. 52 S.B.	9-49
27	443+15	X		THOMPSON AVE N.E. RAMP	9-40
28	445+30	X		THOMPSON AVE N.E. RAMP	9-40
29	447+40	X		THOMPSON AVE N.E. RAMP	9-40
30	450+00	X		THOMPSON AVE N.W. RAMP	9-40
31	447+75	X			9-40
32	445+55	X			9-40
33	443+40	X		THOMPSON AVE N.W. RAMP	9-40



NOTE: INSTALL ROAM GATEWAY ON SIGNAL MAST ARM. FOR MOUNTING INSTRUCTION SEE SPECIAL PROVISIONS.



FEED POINT J7L

BY	DATE	REVISIONS	FEEDPOINT: J7L	LOCATION: TH52 AT THOMPSON AVE	LIGHTING PLAN
			METER ADDRESS: 1380 WATERLOO AVE WEST ST. PAUL 55118		
DRAWN BY: DC			CERTIFIED BY <i>Michael P. Libensky</i> LIC. NO. 19863 DATE: 9/16/2014		STATE PROJ. NO. 1928-60 (T.H. 52) SHEET NO. 19 OF 31 SHEETS
CKD BY: GB			DATE: 8/2014		

PLOTTED/REVISED: 9/16/2014

DISTRICT #: METRO
 IPLOT NAME: 1928-60.L1.stm19
 PATH & FILENAME: IP_PWP-d\5884\2\1928-60.L1.dgn