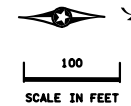


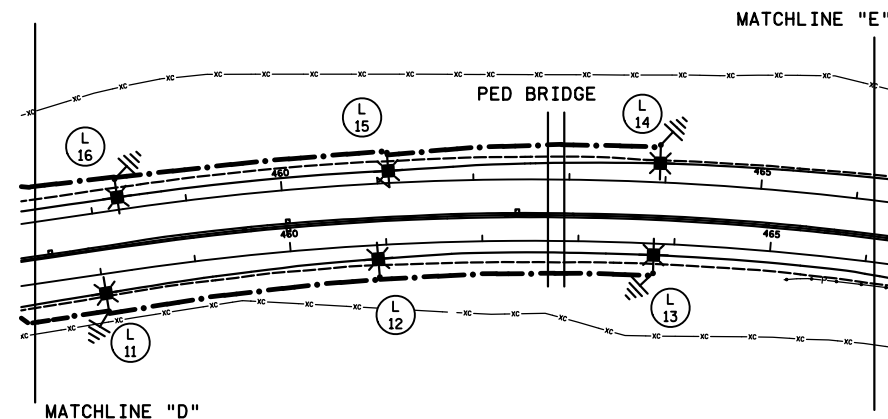
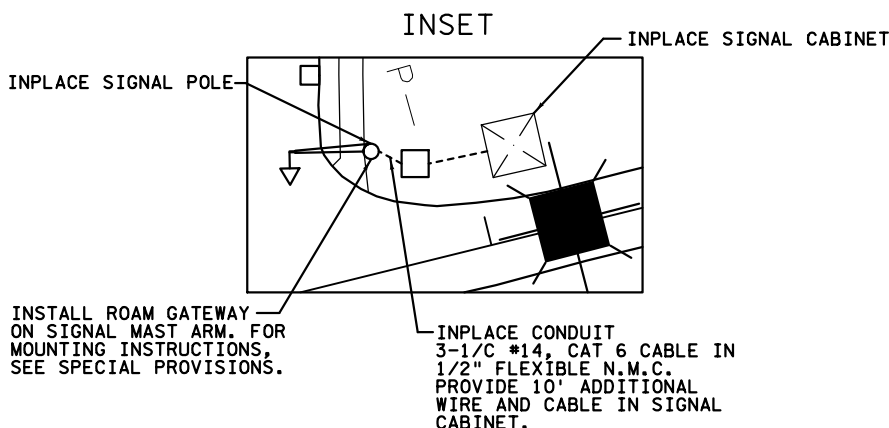
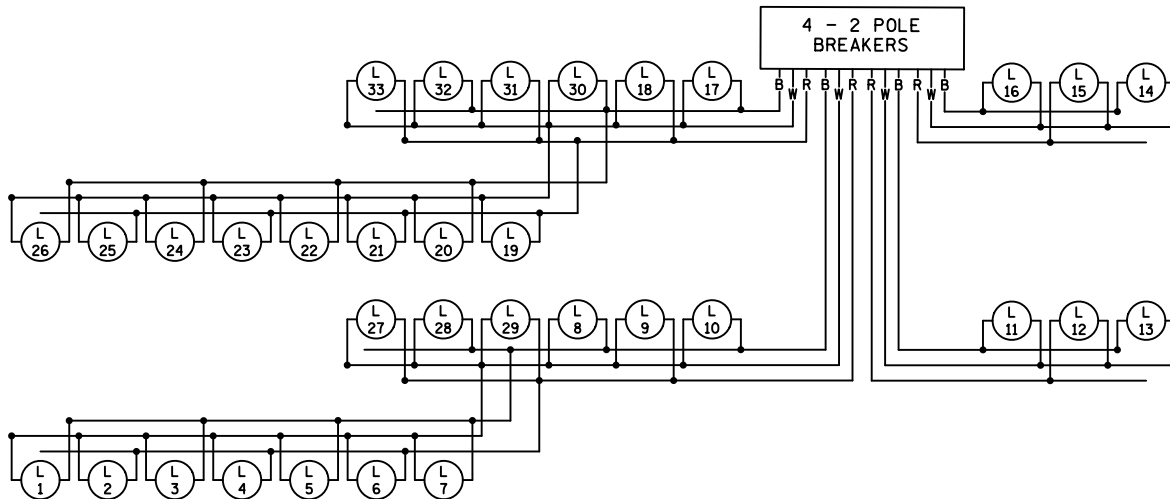
SEE LEGEND SHEET 16

W DENOTES NEUTRAL CONDUCTOR  
 B AND R DENOTE CURRENT CARRYING CONDUCTORS  
 FD. PT. J7L  
 240/480 VOLT

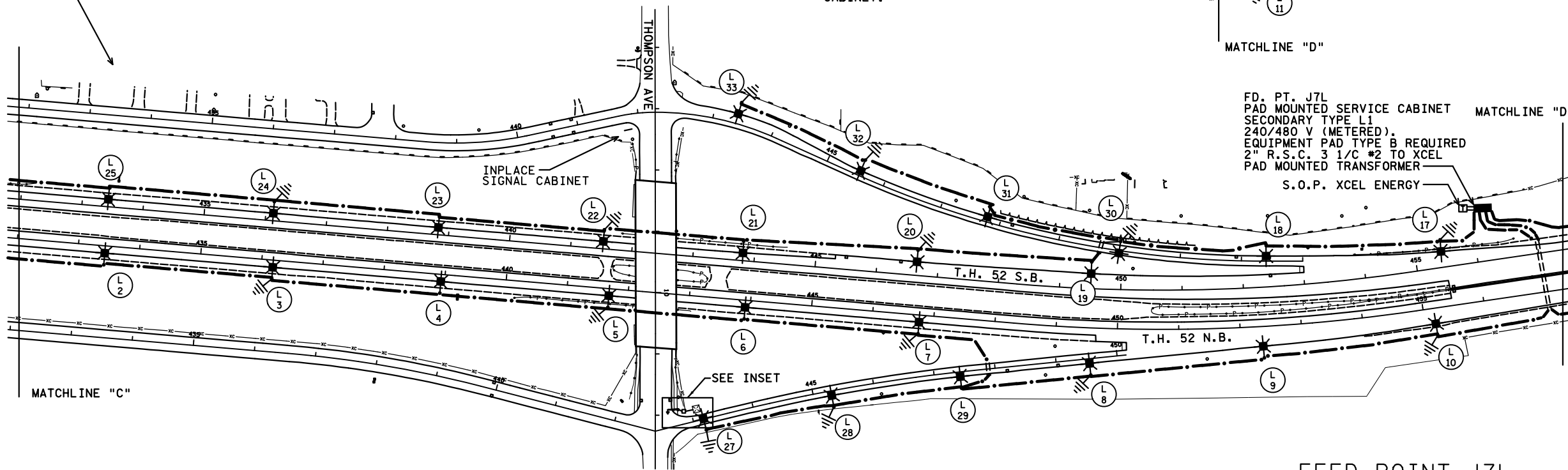


FEEDPOINT J7L  
 LIGHTING STANDARDS AND FOUNDATIONS

NO.	STATION	LT.	RT.	LOCATION	TYPE
1	430+70		X	T.H. 52 N.B.	9-49
2	433+45		X		9-49
3	436+20		X		9-49
4	438+95		X		9-49
5	441+70		X		9-49
6	443+90		X		9-49
7	446+75		X		9-49
8	449+60		X		9-49
9	452+40		X		9-49
10	455+20		X		9-49
11	458+05		X		9-49
12	460+90		X		9-49
13	463+80		X	T.H. 52 N.B.	9-49
14	463+95	X		T.H. 52 S.B.	9-49
15	461+10	X			9-49
16	458+30	X			9-49
17	455+45	X			9-49
18	452+40	X			9-49
19	449+50	X			9-49
20	446+65	X			9-49
21	443+80	X			9-49
22	441+50	X			9-49
23	438+80	X			9-49
24	436+10	X			9-49
25	433+40	X			9-49
26	430+70	X		T.H. 52 S.B.	9-49
27	443+15	X		THOMPSON AVE N.E. RAMP	9-40
28	445+30	X		THOMPSON AVE N.E. RAMP	9-40
29	447+40	X		THOMPSON AVE N.E. RAMP	9-40
30	450+00	X		THOMPSON AVE N.W. RAMP	9-40
31	447+75	X			9-40
32	445+55	X			9-40
33	443+40	X		THOMPSON AVE N.W. RAMP	9-40



NOTE: INSTALL ROAM GATEWAY ON SIGNAL MAST ARM. FOR MOUNTING INSTRUCTION SEE SPECIAL PROVISIONS.



FD. PT. J7L  
 PAD MOUNTED SERVICE CABINET  
 SECONDARY TYPE L1  
 240/480 V (METERED).  
 EQUIPMENT PAD TYPE B REQUIRED  
 2" R.S.C. 3 1/2" #2 TO XCEL  
 PAD MOUNTED TRANSFORMER  
 S.O.P. XCEL ENERGY

FEED POINT J7L

BY	DATE	REVISIONS	FEEDPOINT: J7L	LOCATION: TH52 AT THOMPSON AVE	LIGHTING PLAN
			METER ADDRESS: 1380 WATERLOO AVE WEST ST. PAUL 55118		
DRAWN BY: DC			CERTIFIED BY: <i>Michael P. Libensky</i>		STATE PROJ. NO. 1928-60 (T.H. 52) SHEET NO. 19 OF 31 SHEETS
CKD BY: GB			LIC. NO. 19863 DATE: 9/16/2014		
DATE: 8/2014					

PLOTTED/REVISED: 9/16/2014

DISTRICT #: METRO  
 I/PLOT NAME: 1928-60.L1.stn19  
 PATH & FILENAME: IP\_PWP-d\5884\2\1928-60.L1.dgn