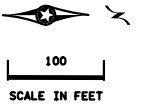


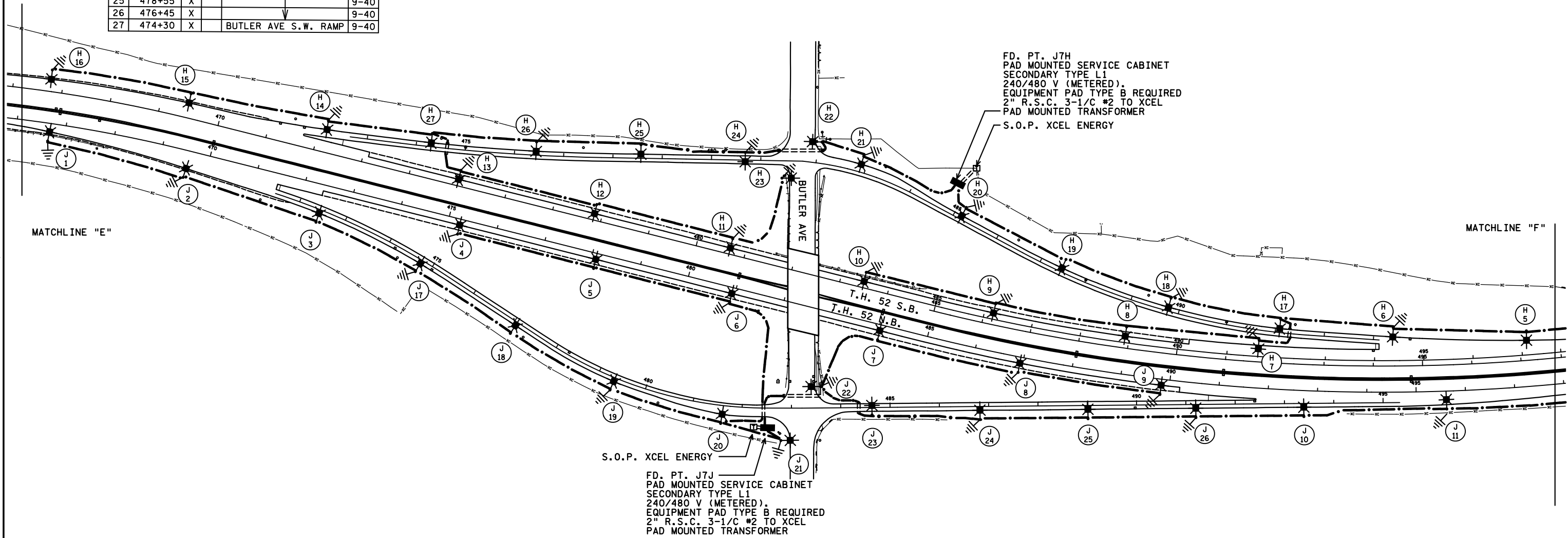
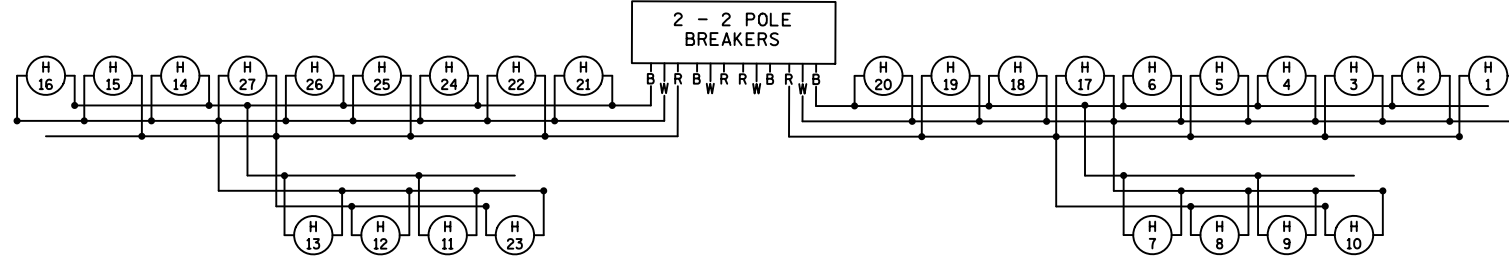
SEE LEGEND SHEET 16



FEEDPOINT J7H  
LIGHTING STANDARDS AND FOUNDATIONS

NO.	STATION	LT.	RT.	LOCATION	TYPE
1	508+25		X	T.H. 52 S.B.	9-49
2	505+55		X		9-49
3	502+80		X		9-49
4	500+10		X		9-49
5	497+10		X		9-49
6	494+40		X		9-49
7	491+65		X		9-49
8	488+90		X		9-49
9	486+20		X		9-49
10	483+50		X		9-49
11	480+70		X		9-49
12	477+85		X		9-49
13	475+00		X		9-49
14	472+15		X		9-49
15	469+55		X		9-49
16	466+75		X	T.H. 52 S.B.	9-49
17	492+10	X		BUTLER AVE N.W. RAMP	9-40
18	489+75	X			9-40
19	487+45	X			9-40
20	485+15	X			9-40
21	482+95	X			9-40
22	AS SHOWN	X		BUTLER AVE N.W. RAMP	9-40
23	AS SHOWN	X	X	BUTLER AVE S.W. RAMP	9-40
24	480+70	X			9-40
25	478+55	X			9-40
26	476+45	X			9-40
27	474+30	X		BUTLER AVE S.W. RAMP	9-40

W DENOTES NEUTRAL CONDUCTOR  
B AND R DENOTE CURRENT CARRYING CONDUCTORS  
FD. PT. J7H  
240/480 VOLT



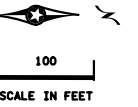
J7H METER ADDRESS: 440 STANLEY ST. WEST ST. PAUL 55118  
J7J METER ADDRESS: 2201 BUTLER AVE SOUTH ST. PAUL 55075

FEED POINT J7H, J7J

BY	DATE	REVISIONS	FEEDPOINT: J7H - J7J	LOCATION: TH 52 AT BUTLER AVE	LIGHTING PLAN
			CERTIFIED BY <i>Michael P. Libensky</i> LIC. NO. 19863 DATE: 9/16/2014		
DRAWN BY: DC CKD BY: GB DATE: 8/2014					

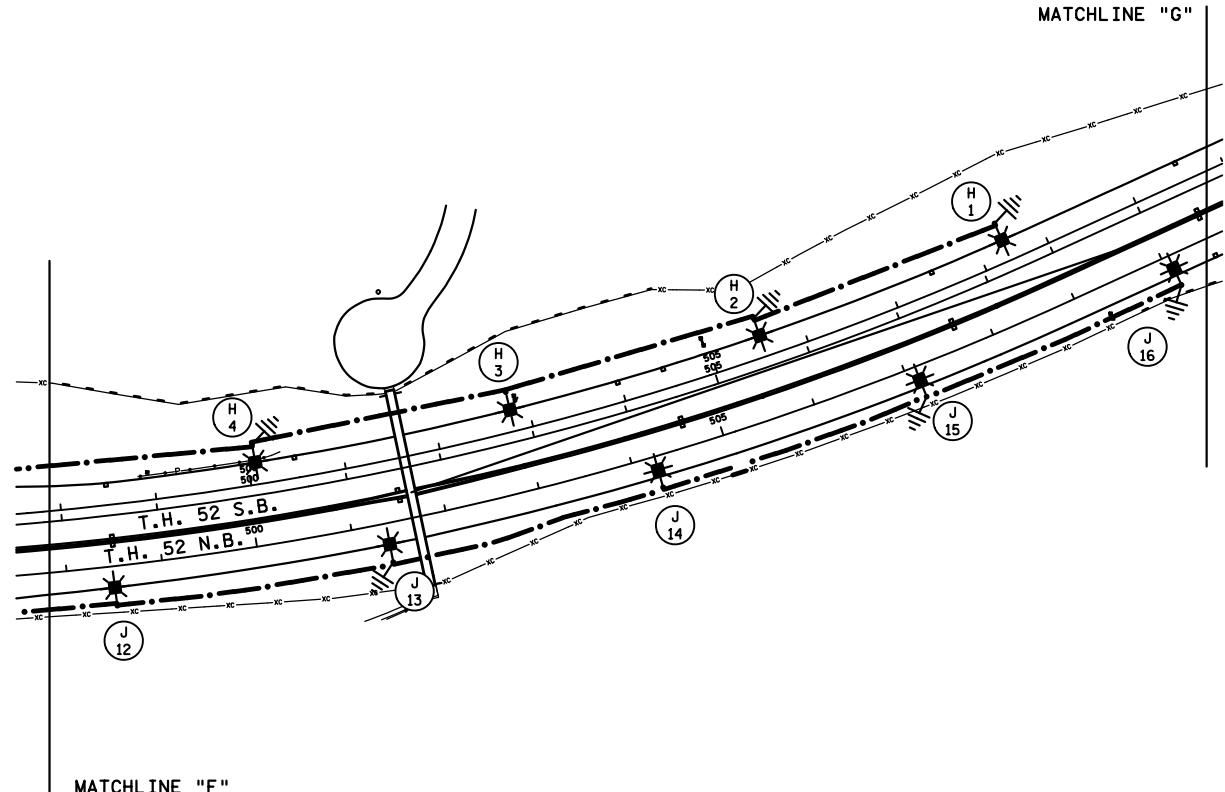
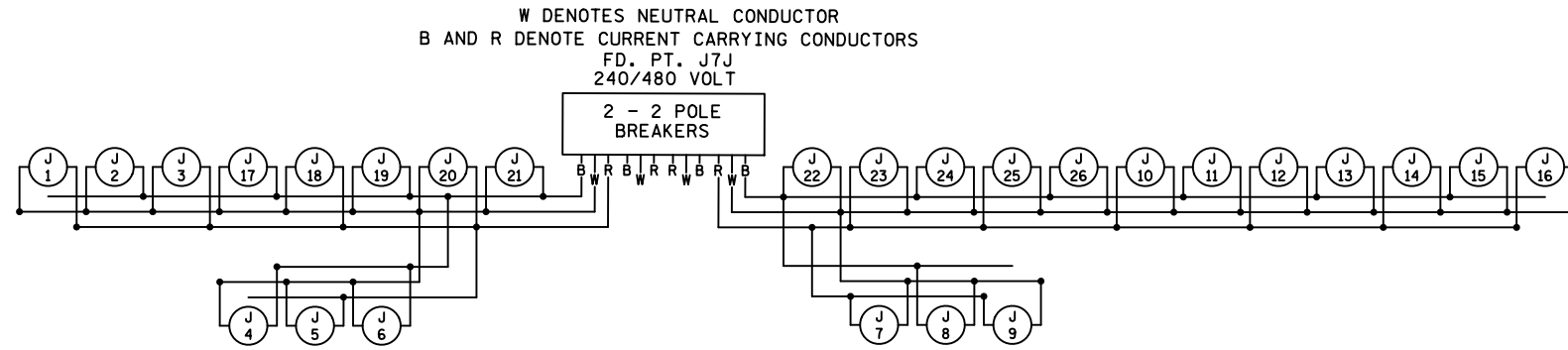
DISTRICT #: METRO  
 PLOT NAME: 1928-60.II.sht20  
 PATH & FILENAME: IP\_PWP-d\5884\2\1928-60.II.lo.dgn  
 PLOTTED/REVISED: 9/16/2014

SEE LEGEND SHEET 16



FEEDPOINT J7J  
LIGHTING STANDARDS AND FOUNDATIONS

NO.	STATION	LT.	RT.	LOCATION	TYPE
1	466+85		X	T.H. 52 N.B.	9-49
2	469+55		X		9-49
3	472+40		X		9-49
4	475+25		X		9-49
5	478+10		X		9-49
6	480+95		X		9-49
7	484+05		X		9-49
8	486+95		X		9-49
9	489+85		X		9-49
10	492+75		X		9-49
11	495+60		X		9-49
12	498+50		X		9-49
13	501+35		X		9-49
14	504+25		X		9-49
15	507+10		X		9-49
16	107+10		X	T.H. 52 N.B.	9-49
17	474+75		X	BUTLER AVE S.E. RAMP	9-40
18	477+05		X		9-40
19	479+35		X		9-40
20	481+65		X		9-40
21	AS SHOWN		X	BUTLER AVE S.E. RAMP	9-40
22	AS SHOWN	X	X	BUTLER AVE N.E. RAMP	9-40
23	484+65		X		9-40
24	486+80		X		9-40
25	489+00		X		9-40
26	491+20		X	BUTLER AVE N.E. RAMP	9-40



J7H METER ADDRESS: 440 STANLEY ST. WEST ST. PAUL 55118  
 J7J METER ADDRESS: 2201 BUTLER AVE SOUTH ST. PAUL 55075

FEED POINT J7H, J7J

FEEDPOINT: J7H - J7J LOCATION: TH52 AT BUTLER AVE

LIGHTING PLAN

BY	DATE	REVISIONS

CERTIFIED BY *Michael P. Libensky* LIC. NO. 19863 DATE: 9/16/2014  
LICENSED PROFESSIONAL ENGINEER

STATE PROJ.NO. 1928-60 (T.H. 52) SHEET NO. 21 OF 31 SHEETS

DRAWN BY: DC CKD BY: GB DATE: 8/2014

PLOTTED/REVISED: 9/16/2014

DISTRICT #: METRO  
 I/PLOT NAME: 1928-60.II.stf121  
 PATH & FILENAME: IP\_PWP-d\5884\2\1928-60.II.Iodgn