

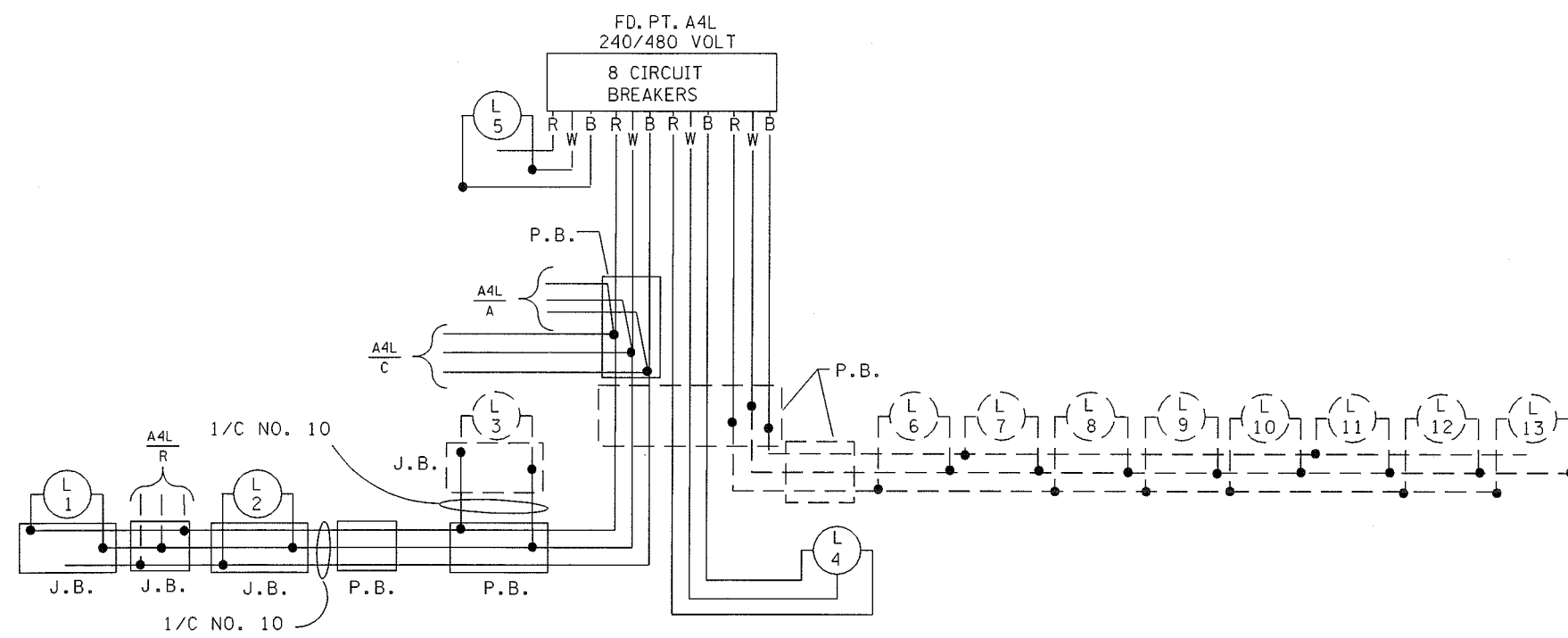
FD. PT. J6X

LIGHTING STANDARDS AND BASES

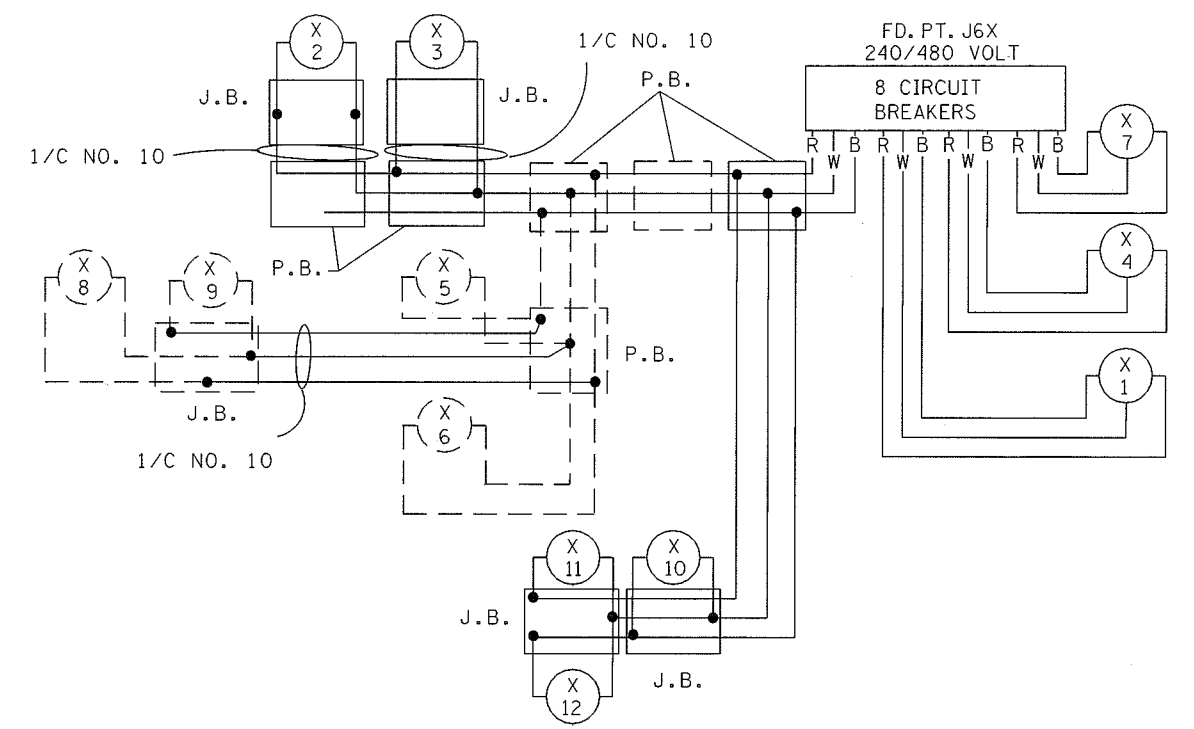
	NO.	STATION	LT.	RT.	LOCATION	TYPE
(1)	1	116+53	-		RAMP L ¹²	3-100
	2	94+35	-		N.B. TH 280	L
	3	140+54		-	S.B. TH 280	L
(2)	4	97+17	-		N.B. TH 280	3-100
*	5	INP.		-	N.B. TH 280	L
*	6	INP.		-	N.B. TH 280	L
(1)	7	102+34	-		S.B. TH 280	3-100
*	8	INP.	-		S.B. TH 280	L
*	9	INP.	-		S.B. TH 280	L
	10	105+17	-		S.B. TH 280	L
	11	104+59		-	N.B. TH 280	L
	12	104+59	-		RAMP L ^H	L

(1) ASYMETRIC LUMINAIRES
(2) SYMETRICAL LUMINAIRES
* RENUMBERED LIGHT

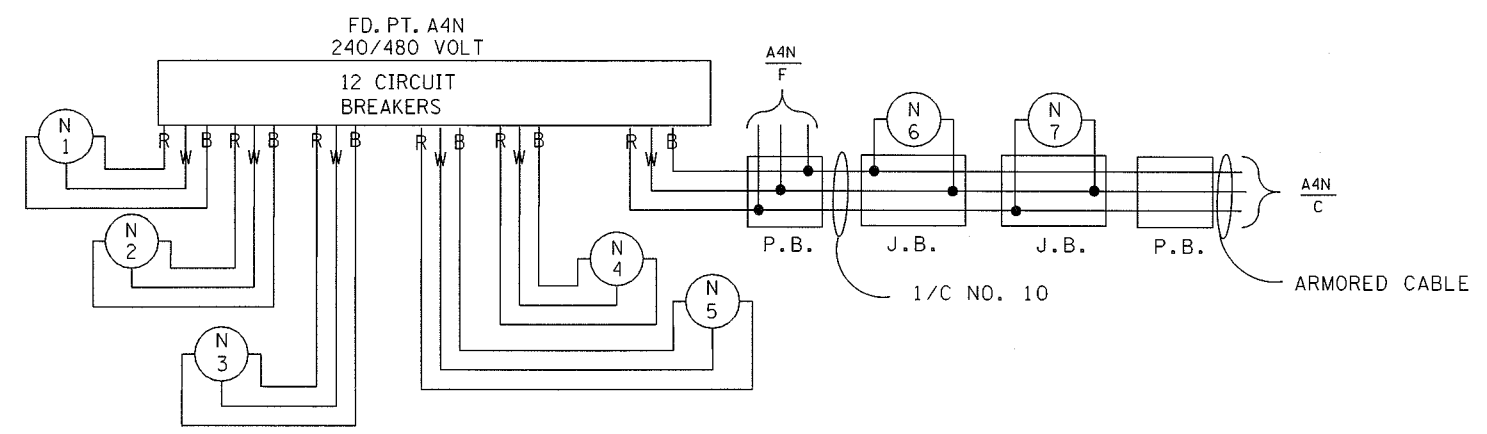
LIGHTING PLAN



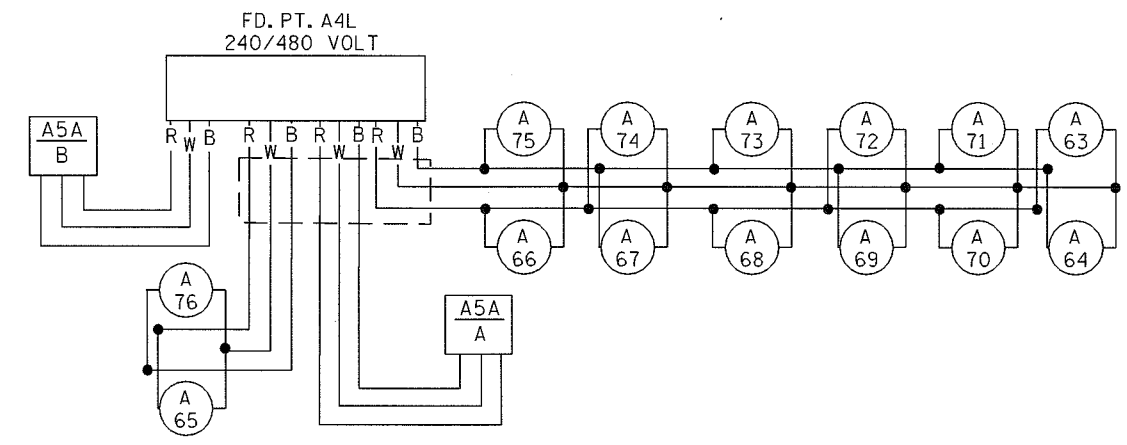
B AND R DENOTE CURRENT CARRYING CONDUCTORS
W DENOTES NEUTRAL CONDUCTOR



B AND R DENOTE CURRENT CARRYING CONDUCTORS
W DENOTES NEUTRAL CONDUCTOR



B AND R DENOTE CURRENT CARRYING CONDUCTORS
W DENOTES NEUTRAL CONDUCTOR



WIRING DETAIL