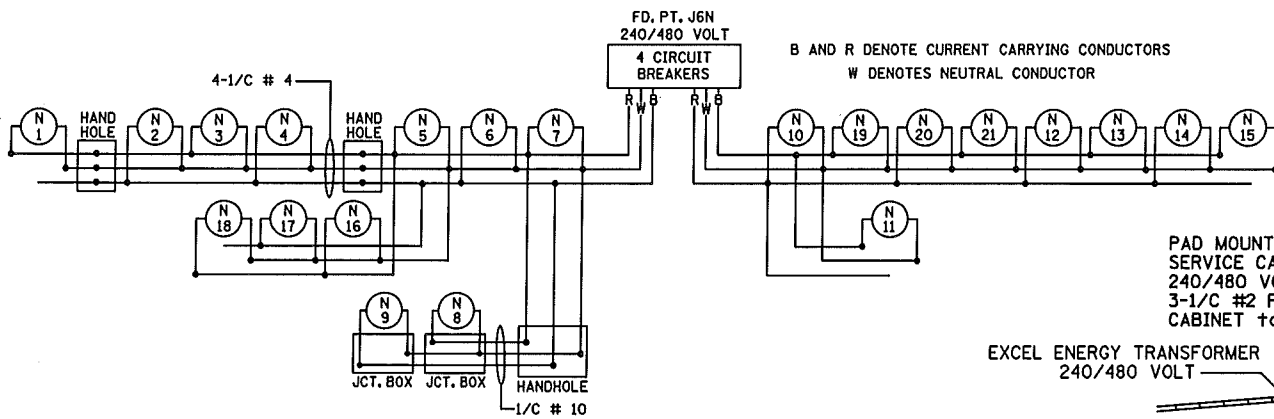


SEE LEGEND SHEET NO. 332

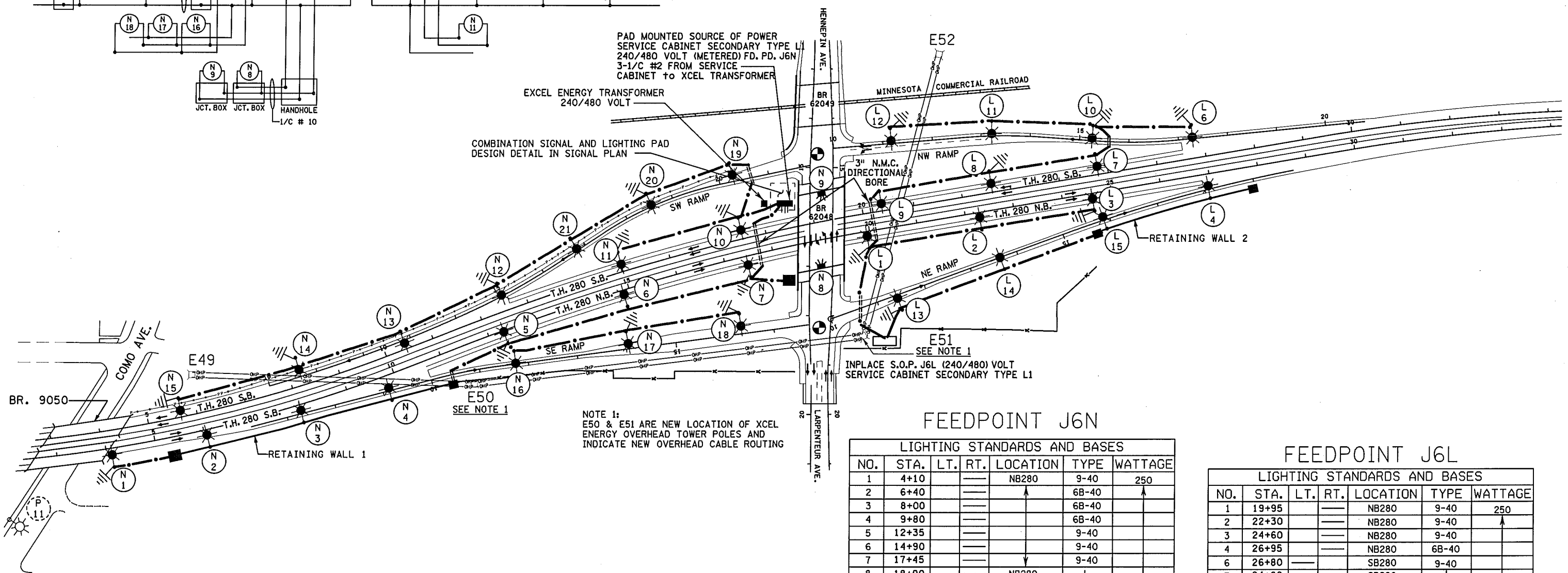


B AND R DENOTE CURRENT CARRYING CONDUCTORS  
W DENOTES NEUTRAL CONDUCTOR

PAD MOUNTED SOURCE OF POWER  
SERVICE CABINET SECONDARY TYPE L1  
240/480 VOLT (METERED) FD. PD. J6N  
3-1/C #2 FROM SERVICE  
CABINET to XCEL TRANSFORMER

EXCEL ENERGY TRANSFORMER  
240/480 VOLT

COMBINATION SIGNAL AND LIGHTING PAD  
DESIGN DETAIL IN SIGNAL PLAN



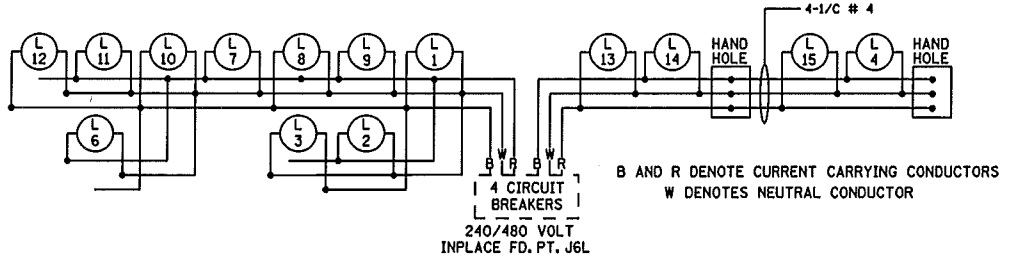
NOTE 1:  
E50 & E51 ARE NEW LOCATION OF XCEL  
ENERGY OVERHEAD TOWER POLES AND  
INDICATE NEW OVERHEAD CABLE ROUTING

FEEDPOINT J6N

| LIGHTING STANDARDS AND BASES |       |     |     |          |       |         |
|------------------------------|-------|-----|-----|----------|-------|---------|
| NO.                          | STA.  | LT. | RT. | LOCATION | TYPE  | WATTAGE |
| 1                            | 4+10  |     |     | NB280    | 9-40  | 250     |
| 2                            | 6+40  |     |     |          | 6B-40 |         |
| 3                            | 8+00  |     |     |          | 6B-40 |         |
| 4                            | 9+80  |     |     |          | 9-40  |         |
| 5                            | 12+35 |     |     |          | 9-40  |         |
| 6                            | 14+90 |     |     |          | 9-40  |         |
| 7                            | 17+45 |     |     |          | 9-40  |         |
| 8                            | 18+90 |     |     | NB280    | L     |         |
| 9                            | 19+25 |     |     | SB280    | L     |         |
| 10                           | 17+50 |     |     |          | 9-40  |         |
| 11                           | 15+05 |     |     |          |       |         |
| 12                           | 12+55 |     |     |          |       |         |
| 13                           | 10+45 |     |     |          |       |         |
| 14                           | 8+25  |     |     |          |       |         |
| 15                           | 5+70  |     |     | SB280    |       |         |
| 16                           | 11+75 |     |     | SERAMP   |       |         |
| 17                           | 14+05 |     |     | SERAMP   |       |         |
| 18                           | 16+65 |     |     | SERAMP   |       |         |
| 19                           | 20+30 |     |     | SWRAMP   |       |         |
| 20                           | 18+55 |     |     | SWRAMP   |       |         |
| 21                           | 16+80 |     |     | SWRAMP   | 9-40  | 250     |

FEEDPOINT J6L

| LIGHTING STANDARDS AND BASES |       |     |     |          |       |         |
|------------------------------|-------|-----|-----|----------|-------|---------|
| NO.                          | STA.  | LT. | RT. | LOCATION | TYPE  | WATTAGE |
| 1                            | 19+95 |     |     | NB280    | 9-40  | 250     |
| 2                            | 22+30 |     |     | NB280    | 9-40  |         |
| 3                            | 24+60 |     |     | NB280    | 9-40  |         |
| 4                            | 26+95 |     |     | NB280    | 6B-40 |         |
| 6                            | 26+80 |     |     | SB280    | 9-40  |         |
| 7                            | 24+80 |     |     | SB280    |       |         |
| 8                            | 22+60 |     |     | SB280    |       |         |
| 9                            | 20+40 |     |     | SB280    |       |         |
| 10                           | 15+25 |     |     | NWRAMP   |       |         |
| 11                           | 13+20 |     |     | NWRAMP   |       |         |
| 12                           | 11+15 |     |     | NWRAMP   |       |         |
| 13                           | 11+40 |     |     | NERAMP   |       |         |
| 14                           | 13+65 |     |     | NERAMP   | 9-40  |         |
| 15                           | 15+90 |     |     | NERAMP   | 6B-40 | 250     |



B AND R DENOTE CURRENT CARRYING CONDUCTORS  
W DENOTES NEUTRAL CONDUCTOR

240/480 VOLT  
INPLACE FD. PT. J6L

AS-BUILT 2/2012

FEEDPOINTS J6N, J6L

|               |                      |   |  |                                 |                             |
|---------------|----------------------|---|--|---------------------------------|-----------------------------|
| BY: EK        | DATE: 12/2010        | REVISIONS: REMOVE L5  | SYSTEM ID: FEEDPOINT: J6N, J6L T.E.      | LOCATION: LARPEUTEUR Ave.       | <b>LIGHTING PLAN</b>        |
| DATE: 12/2010 | REVISIONS: REMOVE L5 | METER ADDRESS: J6N-2600 LARPEUTEUR Ave., J6L-2621 LARPEUTEUR Ave W. | CERTIFIED BY: <i>Michael P. Gubensky</i> | LIC. NO. 19863 DATE: 12-22-2008 |                             |
| DRAWN BY: NS  | CKD BY: GB           | DATE:   | STATE PROJ. NO. 6241-51 (T.H.280)        |                                 | SHEET NO. 333 OF 503 SHEETS |

DISTRICT #: METRO  
 I/PLOT NAME: 16241-51\_011TAB  
 PATH & FILENAME: IP\_PWP-d0913020N6241-51\_011TAB.dgn  
 PLOTTED/REVISED: 3/1/2012